



Republic of the Philippines
GOVERNMENT PROCUREMENT POLICY BOARD
TECHNICAL SUPPORT OFFICE



BIDS AND AWARDS COMMITTEE

Project: Supply, Delivery, and Installation of GPPB-TSO Local Area Network (LAN) Project

Bid Bulletin No.: 02

TO ALL INTERESTED BIDDERS:

Please be advised of the following clarifications and amendments to the requirements specified in the Bidding Documents issued for the above-mentioned project:

A. CLARIFICATIONS ON THE REQUIREMENTS OF THE BIDDING DOCUMENTS

Questions/Concerns on the requirements	Clarifications/Answers
1. Can we propose our own work plan for the project?	Yes, provided that it complies with the requirements under the Bidding Documents.
2. How many copies of the bid proposal shall be submitted?	Each bidder shall submit two (2) sets; one envelope marked as "ORIGINAL" while the other as "COPY". Both the ORIGINAL and the COPY shall be enclosed in one single envelope.
3. Is IO cable box included in the deliverables?	Already provided by the General Contractor of the GPPB-TSO Building
4. Can we offer a different brand for the port so long as it is compatible with Huawei? The performance of the LAN may suffer if the offered brand is not Huawei.	Yes, as long as it is compatible and minimal to no issues.
5. Can we offer a different Network Switch?	As long as it will work with the existing Huawei S5735-L24P4X-A1 Network Switch
6. Who will provide the Access Point Cable?	Already provided by the General Contractor
7. Is Network Cabling included in the Scope of Work?	No. Please refer to the Terms of Reference.
8. Can we request for an updated floor plan and a Horizontal and Vertical floor layout from the server room?	Refer to the attached revised floor plan, electrical and electronics plan for your reference.
9. Is there a separate ground tapping for ECE?	The bidder shall provide a grounding system for all equipment which complies with the

	PEC standards.
10. Core Switch should be, 2 x 48*Ethernet 10/100/1000Base-T ports and 1 x 48*SFP+ 100/1000/1000Base-X ports (with SFP+ module) since your transceiver requirement is SFP+	Please refer to Section VII. Technical Specifications and Terms of Reference for the specification of core switch and network switches.
11. The core switch wireless network management is optional if bidder can offer a separate controller	No, the bidder shall supply, deliver, and install the required core switch.
12. The core switch has to support STP (IEEE 802.1d), RSTP (IEEE 802.1w) and MSTP (IEEE 802.1s), BPDU protection, root protection and loop protection, optional to support SEP, BPDU tunnel, ERPS (G.8032)	No. The bidder shall comply with the required technical specification of the core switch indicated in Section VII. Technical Specifications and Terms of Reference.
13. The core switch has to support RIPv1/V2, OSPF, optional to support BGP, and ISIS	The bidder shall comply with the required technical specification of the core switch indicated in Section VII. Technical Specifications and Terms of Reference.
14. If the AP can be managed by Huawei Controller AC6508, Bidder shall offer a separated controller with AI Capacity with control for both AP's and Switch	If the AP can be managed by our existing Huawei Controller AC6508, the bidder is not required to provide separate controller.
15. The wireless AP shall support at least 2*2 MIMO, optional to offer 4x4:4 AP	The bidder shall comply with the required technical specification of the wireless AP as indicated in Section VII. Technical Specifications and Terms of Reference
16. The wireless AP shall support at least 1.7 Gbps wireless speed, optional to support 3.55 Gbps	The bidder shall comply with the required technical specification of the wireless AP as indicated in Section VII. Technical Specifications and Terms of Reference.
17. The wireless AP shall support dedicated AI RF for Security scanning and network quality sense	No. Refer to the specification of wireless AP indicated in Section VII. Technical Specifications and Terms of Reference.
18. The AP, Switches in this Bid shall support to be managed via unified platform, the topology of AP and Switch Network can be shown in the platform, 100% configuration of AP and Switch can be done via the platform also. The Management license for the AP and Switch should be life-time. Bidder shall	Licenses shall be perpetual or life-time. The AP and network switches shall comply with the required technical specifications in Section VII. Technical Specifications and Terms of Reference.

include the platform in the proposed solution.																																																	
<p>19. AP, Switch, 10G SFP+ Module MM quantity clarification</p> <table border="1" data-bbox="196 432 943 701"> <thead> <tr> <th></th> <th>24-port SW</th> <th>24-port POE SW</th> <th>SFP+ Module MM</th> <th>Core Switch</th> <th>Access Points</th> </tr> </thead> <tbody> <tr> <td>1F</td> <td>1</td> <td>1</td> <td>2</td> <td></td> <td>6</td> </tr> <tr> <td>2F</td> <td>1</td> <td>3</td> <td>4</td> <td></td> <td>9</td> </tr> <tr> <td>3F</td> <td>2</td> <td>1</td> <td>28</td> <td>1</td> <td>7</td> </tr> <tr> <td>4F</td> <td>1</td> <td>1</td> <td>2</td> <td></td> <td>6</td> </tr> <tr> <td>5F</td> <td>1</td> <td>1</td> <td>2</td> <td></td> <td>7</td> </tr> <tr> <td>6F</td> <td>1</td> <td>1</td> <td>2</td> <td></td> <td>8</td> </tr> <tr> <td>SUM</td> <td>7</td> <td>8</td> <td>40</td> <td>1</td> <td>43</td> </tr> </tbody> </table>		24-port SW	24-port POE SW	SFP+ Module MM	Core Switch	Access Points	1F	1	1	2		6	2F	1	3	4		9	3F	2	1	28	1	7	4F	1	1	2		6	5F	1	1	2		7	6F	1	1	2		8	SUM	7	8	40	1	43	Refer to the Bill of Quantities in the Terms of Reference.
	24-port SW	24-port POE SW	SFP+ Module MM	Core Switch	Access Points																																												
1F	1	1	2		6																																												
2F	1	3	4		9																																												
3F	2	1	28	1	7																																												
4F	1	1	2		6																																												
5F	1	1	2		7																																												
6F	1	1	2		8																																												
SUM	7	8	40	1	43																																												
20. Who will provide the UTP Testing with softcopy and printed test result? Is it the existing gen. con?	The General Contractor.																																																
21. On no. 6 of item 5.1 under 5.0 Deliverables, it is stated that “the (winning bidder) will provide cable trays or ladder racks for the installation of fiber optic cables from the ceiling of the electrical room to server cabinets.” Can you confirm if the said cable trays or ladder racks are still need to be part of the BOQ and will be supplied by the winning bidder?	Yes.																																																
22. No. 7 of item 5.1 of 5.0 Deliverables, it is stated that, “and other necessary works and materials for the successful implementation of the project.” Can you be more specific on this?	Other materials and works necessary for the installation of equipment such as but not limited to tagging, crimping, cable testing as installed by the winning bidder, cable management.																																																
23. During the Pre-bid conference it was mentioned that bidders are allowed to offer non Huawei brand provided that they will replace the existing Huawei Switches, AP, and Controllers. Can you share to us the quantity of Huawei Access Point and Switches?	<p>Yes, bidders are allowed to offer non-Huawei brand, provided that the bidder will supply, deliver, and install one (1) unit Wireless AP Controller, two (2) more units of POE Network Switch on top of the number of AP required in the Bill of Quantities in the Terms of Reference, and four (4) more units of Wireless AP on top of the number required as specified in the Bill of Quantities in the Terms of Reference.</p> <p>In case the bidder opts to provide a non-Huawei brand, the bidder shall supply and deliver the aforementioned additional AP and Network Switch which comply with</p>																																																

	<p>the minimum technical specifications for the AP and Network Switch required under the Terms of Reference or equivalent and shall work along with the specifications required for core switch. The Wireless AP controller to be delivered and supplied shall comply with the following minimum technical specifications:</p> <table border="1" data-bbox="977 625 1432 1402"> <tr> <td>Port</td> <td>10 GE + 2 x 10 GE SFP+</td> </tr> <tr> <td>Power Supply</td> <td>AC/DC adapter</td> </tr> <tr> <td>Forwarding Capacity</td> <td>10 Gbit/s</td> </tr> <tr> <td>Max. no. of Managed APs</td> <td>512</td> </tr> <tr> <td>Max. no. of Access Users</td> <td>4096</td> </tr> <tr> <td>AP-AC Networking</td> <td>Layer 2 or Layer 3 Networking</td> </tr> <tr> <td>Forwarding Modes</td> <td>Direct forwarding or tunnel forwarding</td> </tr> <tr> <td>AC Active/Standby Mode</td> <td>1 + 1 HSB or N + 1 backup</td> </tr> <tr> <td>Radio Protocols</td> <td>802.11 a/b/g/n/ac/ac wave 2/ax</td> </tr> </table>	Port	10 GE + 2 x 10 GE SFP+	Power Supply	AC/DC adapter	Forwarding Capacity	10 Gbit/s	Max. no. of Managed APs	512	Max. no. of Access Users	4096	AP-AC Networking	Layer 2 or Layer 3 Networking	Forwarding Modes	Direct forwarding or tunnel forwarding	AC Active/Standby Mode	1 + 1 HSB or N + 1 backup	Radio Protocols	802.11 a/b/g/n/ac/ac wave 2/ax
Port	10 GE + 2 x 10 GE SFP+																		
Power Supply	AC/DC adapter																		
Forwarding Capacity	10 Gbit/s																		
Max. no. of Managed APs	512																		
Max. no. of Access Users	4096																		
AP-AC Networking	Layer 2 or Layer 3 Networking																		
Forwarding Modes	Direct forwarding or tunnel forwarding																		
AC Active/Standby Mode	1 + 1 HSB or N + 1 backup																		
Radio Protocols	802.11 a/b/g/n/ac/ac wave 2/ax																		
24. Consider the maintenance of the cabling in the ceiling	The General Contractor will provide manhole for service entrance of ECE lines.																		
25. IDF cabinet must have a separate communication grounding	The bidder shall provide a grounding system for all equipment which complies with the PEC standards.																		
26. When does the proof of evidence of “Statement of Compliance” be submitted?	Under Section VII. Technical Specifications, Statement of “Comply” or “Not Comply” must be supported by evidence in a bidder’s Bid and cross-referenced to that evidence. <u>Thus, proof of evidence must be submitted</u>																		

	<p><u>along with the bid proposal on or before the deadline for submission of bids.</u></p> <p>Evidence shall be in the form of manufacturer’s un-amended sales literature, unconditional statements of specification and compliance issued by the manufacturer, samples, independent test data etc., as appropriate. A statement that is not supported by evidence or is subsequently found to be contradicted by the evidence presented will render the Bid under evaluation liable for rejection. A statement either in the Bidder's statement of compliance or the supporting evidence that is found to be false either during Bid evaluation, post-qualification or the execution of the Contract may be regarded as fraudulent and render the Bidder or supplier liable for prosecution subject to the applicable laws and issuances.</p>
--	--

B. AMENDMENTS TO THE REQUIREMENTS OF THE BIDDING DOCUMENTS

From	To
Section V SPECIAL CONDITIONS OF THE CONTRACT	
<p><i>4. User Acceptance Test (UAT)</i></p> <p><i>The Service Provider shall perform the following activities:</i></p> <ul style="list-style-type: none"> <i>i. Best-testing of the Hardware functionalities.</i> <i>ii. Design and implementation test and configuration</i> <i>iii. Implementing final adjustments and configurations.</i> <i>iv. User and admin acceptance test.</i> 	<p><i>4. User Acceptance Test (UAT)</i></p> <p><i>The Service Provider shall perform the following activities:</i></p> <ul style="list-style-type: none"> <i>i. Beta-testing of the Hardware functionalities.</i> <i>ii. Design and implementation test and configuration</i> <i>iii. Implementing final adjustments and configurations.</i> <i>iv. User and admin acceptance test.</i>
<p>Section VI: SCHEDULE OF REQUIREMENTS</p>	<p>Please refer to the attached revised Section VI. Schedule of Requirements of the Bidding Documents</p>
Section VII: TECHNICAL REQUIREMENTS	

<p>QUALITIFICATION REQUIREMENT:</p> <p>The Service Provider should mobilize key personnel as project managers and at least 3 IT experts that must meet the following minimum qualifications:</p> <p>a. Should be an established IT company with experience in IT infrastructure and Network Configuration and undertake and completed a minimum of three (3) ICT projects in the last five (years).</p>	<p>QUALIFICATION REQUIREMENTS:</p> <p>The Service Provider should mobilize key personnel as project managers and at least 3 IT experts that must meet the following minimum qualifications:</p> <p>a. Should be an established IT company with experience in IT infrastructure and Network Configuration and undertake and completed a minimum of three (3) ICT projects in the last five (5) years.</p> <p>Note: Other conditions under the “Qualification Requirements” shall remain the same.</p>
<p>Network Switch</p> <p>Hardware Specifications:</p> <ul style="list-style-type: none"> - CPU: Launch date (Q1’16 or higher), Vertical Segment (server), 12-core 2.1 GHz, Threads (24), Cache (18MB), TDP (65W), Turbo Boost up to 2.7 GHz or equivalent/higher - Memory: 16 GB DDR4 ECC RDIMM (expandable up to 128 GB) - Compatible drive type: 12 x 3.5” or 2.5” SAS/SATA HDD/SSD - Hot swappable drive: Yes - External port: 2x USB 3.0 port, 1 x Expansion Port - LAN: 2 x 10GbE RJ-45 (10BASE-T), 4 x GbE RJ-45 	<p>Network Attached Storage</p> <p>Hardware Specifications:</p> <ul style="list-style-type: none"> - CPU: Launch date (Q1’16 or higher), Vertical Segment (server), 12-core 2.1 GHz, Threads (24), Cache (18MB), TDP (65W), Turbo Boost up to 2.7 GHz or equivalent/higher - Memory: 16 GB DDR4 ECC RDIMM (expandable up to 128 GB) - Compatible drive type: 12 x 3.5” or 2.5” SAS/SATA HDD/SSD - Hot swappable drive: Yes - External port: 2x USB 3.0 port, 1 x Expansion Port - LAN: 2 x 10GbE RJ-45 (10BASE-T), 4 x GbE RJ-45
<p>UPS</p> <ul style="list-style-type: none"> - Capacity: 8TB - Rating (VA/W): 220VA/2200W - Format: 2RU - Battery: Hot-swappable - Sockets: 8 IEC 10A; 2 IEC 16A sockets with 	<p>UPS</p> <ul style="list-style-type: none"> - Rating (VA/W): 220VA/2200W - Format: 2RU - Battery: Hot-swappable - Sockets: 8 IEC 10A; 2 IEC 16A sockets with energy metering (including 5 remote controlled sockets)

<p>energy metering (including 5 remote controlled sockets)</p> <p>- Interfaces: 1 USB port; 1 serial RS232 port; 1 mini-terminal block for Remote ON/OFF; 1 mini-terminal block for Remote Power OFF; 1 mini-terminal block for output relay; 1 Ethernet port (RJ45)</p>	<p>- Interfaces: 1 USB port; 1 serial RS232 port; 1 mini-terminal block for Remote ON/OFF; 1 mini-terminal block for Remote Power OFF; 1 mini-terminal block for output relay; 1 Ethernet port (RJ45)</p>
<p>Compliance with the Terms of Reference attached herein as Annex A</p>	<p>Please refer to the attached revised Terms of Reference.</p>

Please be guided accordingly.

Issued this 12th day of April 2023.



MS. JULIE D. ABRIGO
Chairperson
 Bids and Awards Committee

Section VI. Schedule of Requirements

The delivery schedule expressed as weeks/months stipulates hereafter a delivery date which is the date of delivery to the project site.

Description	Quantity	Total	Delivered, Weeks/Months
Project implementation Plan including all enumerated documents required under Annex A	1 lot	1 lot	Within 10 working days from receipt of the Notice to Proceed
Supply, delivery, and installation of all network equipment and hardware including proper configuration and commissioning of all hardware components	1 lot	1 lot	120 calendar days from approval of the implementation plan
Admin and User's Training	1 lot	1 lot	Within 5 working days from the date of the Project Completion.
Project Documentation	1 lot	1 lot	Within 10 working days after the date of Admin and User's Training

***The GPPB-TSO shall be given a minimum of seven (7) working days-period to review and evaluate each report submitted by the Contractor/Supplier. The period allocated for the GPPB-TSO's review and evaluation shall be deemed not interruption or stop the running of Completion Period allocated to Contractor/Supplier**

I hereby verify to comply with all the above requirements.

Signature over the printed name of the authorized representative

Company name

Date

TERMS OF REFERENCE

SUPPLY, DELIVERY, AND INSTALLATION FOR GPPB-TSO LOCAL AREA NETWORK (LAN) PROJECT

1.0 INTRODUCTION

The Government Procurement Policy Board (GPPB) was established by virtue of Republic Act No. 9184 (R.A. 9184) as an independent inter-agency body that is impartial, transparent, and effective, with private sector representation.

The GPPB, being an inter-agency body composed of top-level public officials, is supported by its very own Technical Support Office (TSO) to provide support in the performance of its duties and responsibilities, particularly in spearheading the implementation of public procurement reform initiatives in the Philippines (Sec. 63.2, Implementing Rules and Regulations of Republic Act 9184). With the construction of its own building, the GPPB-TSO aims to continually improve the quality and efficiency of the services to its various stakeholders. It will strengthen internal processes that support GPPB-TSO's mandate and improve the performance efficiency of each functional area. Specifically, it will establish a fast, redundant, and reliable network infrastructure. It will set up an innovative active network component and create a more effective and efficient Information and Communication Technology (ICT) infrastructure.

2.0 OBJECTIVE

This project aims to:

- 2.1. Establish a reliable and secured network infrastructure system that will allow smooth data transfer and communication between computers, users, and servers, better manage data traffic, reduce network congestion, protect hardware and software from data breach and cyber-attack.
- 2.2. Ensure fast, efficient, and secure sharing, accessing, and receiving of information through electronic means between and among offices and division within GPPB-TSO which will increase productivity and drives performance.

3.0 SCOPE OF WORK

The project covers the supply, delivery, and installation of all active network components for the new GPPB-TSO building. It shall include the procurement and installation of Network Switches, Data Cabinets, and Wireless Access Points from the 1st floor to the 6th floor of the new GPPB-TSO building.

3.1 DELIVERY, INSTALLATION, AND CONFIGURATION OF THE GPPB-TSO NETWORK

The Supplier/Service Provider shall be responsible for the following:

- 3.1.1. Delivery of all hardware and components for the GPPB-TSO Local Area Network (LAN).
- 3.1.2. Installation and configuration of hardware and components of the GPPB-TSO Network.
- 3.1.3. Commissioning of all hardware and components of the GPPB-TSO Network.

3.2 PROJECT IMPLEMENTATION

- 3.2.1 The Supplier/Service Provider shall be required to submit a detailed Project Implementation Plan with S-Curve within ten (10) working days upon receipt of the Notice to Proceed, which will include all items identified in the scope of work listed in

this section. This plan shall be approved by the GPPB-TSO through the Information Management Division (IMD).

3.3 USER ACCEPTANCE TEST (UAT)

The Supplier/Service Provider shall perform the following activities per module:

- 3.3.1. Beta-testing of hardware functionalities
- 3.3.2. Design and implementation tests and configurations
- 3.3.3. Implementing final adjustments and configurations
- 3.3.4. User and admin acceptance test.

3.4 PROJECT CLOSE-OUT

The Supplier/Service Provider shall perform the following project close-out activities to ensure the complete transfer of assets to the GPPB-TSO:

- 3.4.1 Onsite Administrator and User Technical Training
- 3.4.2 Project Documentation
- 3.4.3 Completion of the punch list within 15 calendar days from the date of inspection

4.0. TECHNICAL SPECIFICATION

Project deliverables must be compatible with our existing Huawei 24 Port Layer 3 Managed Network Switch, Huawei Controller AC6508, and Huawei Access Point AirEngine5761-11 and must conform to the following minimum technical specifications, equivalent or higher:

4.1. Core Switch

- 4.1.1. Dimension: 4U
- 4.1.2. Switching Capacity: 1.92Tbps
- 4.1.3. Forwarding Performance: 1440 Mpps
- 4.1.4. MPU Slot: 2
- 4.1.5. Service Slot: 3
 - Service card:
 - 2 x 48*Ethernet 10/100/1000Base-T ports
 - 1 x 48*SFP 100/1000/10000Base-X ports (with SFP+ module)
- 4.1.6. Redundancy design: MPUs, power modules, CMU, fan trays
- 4.1.7. Wireless network management:
 - Native AC
 - AP access control, AP region management, and AP profile management
 - Radio profile management, uniform static configuration, and centralized dynamic management
 - Basic WLAN services, QoS, security,
 - and user management
- 4.1.8. User Management:
 - Unified user management
 - PPPoE, 802.1x, MAC address, and Portal authentication
 - Traffic- and time-based accounting
 - User authorization based on user groups, domains, and time ranges
- 4.1.9. VLAN
 - 4K VLANs

- Access, trunk, and hybrid interface types, auto-negotiation of LNP links
 - Default VLAN
 - VLAN Switching
 - QinQ and selective QinQ
 - MAC address-based VLAN assignment
- 4.1.10. ARP
- 128K ARP entries
 - ARP Snooping
- 4.1.11. MAC address
- 1M MAC address entries
 - MAC address learning and aging
 - Static, dynamic, and blackhole MAC address entries
 - Packet filtering based on source MAC address
 - Limit on the number of MAC addresses learned on ports and VLANs
- 4.1.12. Ring Protection
- STP (IEEE 802.1d), RSTP (IEEE 802.1w), and MSTP (IEEE 802.1s)
 - SEP
 - BPDU protection, root protection, and loop protection
 - BPDU tunnel
 - ERPS(G.8032)
- 4.1.13. IP Routing
- IPv4 routing protocols, such as RIPv1/v2, OSPF, BGP, and IS-IS
 - IPv6 dynamic routing protocols, such as RIPng, OSPFv3, ISISv6, and BGP4
 - User authorization based on user groups, domains, and time ranges
- 4.1.14. Multicast
- 128,000 multicast routing entries
 - IGMPv1/v2/v3 and IGMP v1/v2/v3 snooping
- 4.1.15. QoS
- 4.1.16. Support system logs and multi-level alarms and dying gasp.
- 4.2. **Network Switch**
- 4.2.1. Dimension: 1U
- 4.2.2. Switching Capacity: 336 Gbps
- 4.2.3. Forwarding Performance: 51 Mpps
- 4.2.4. Port: 24*Ethernet 10/100/1000Base-T ports and 4*GE SFP+ (with complete SPF+ module)
- 4.2.5. Power: AC Power Supply
- 4.3. **Network Switch (POE)**
- 4.3.1. Dimension: 1U
- 4.3.2. Switching Capacity: 336 Gbps
- 4.3.3. Forwarding Performance: 51 Mpps
- 4.3.4. Port: 24*Ethernet 10/100/1000Base-T ports and 4*GE SFP+ (with complete SPF+ module)
- 4.3.5. Power: AC Power Supply
- 4.3.6. POE+
- 4.4. **Wireless Access Points**
- 4.4.1. Must be compatible with Huawei Controller AC6508
- 4.4.2. Access Point license for AP controller
- 4.4.3. Power Input: with DC power and POE power supply

- 4.4.4. Maximum Number of Users: ≤ 1024
- 4.4.5. Antenna Type: Built-in Dynamic-Zoom Smart Antennas
- 4.4.6. MIMO: Spatial Streams: 2.4GHz: 4 x 4:4, 5GHz: 4 x 4:4
- 4.4.7. Radio Protocols: 802.11a/b/g/n/ac/ac wave2/ax
- 4.4.8. Maximum Rate: 3.55 Gbps

4.5. Network Attached Storage

4.5.1. Hardware Specifications

- CPU: Launch Date (Q1'16 or Higher), Vertical Segment (server), 12-core 2.1 GHz, Threads (24), Cache (18MB), TDP (65W), Turbo Boost up to 2.7 GHz or equivalent/ higher
- Memory: 16 GB DDR4 ECC RDIMM (expandable up to 128 GB)
- Compatible drive type: 12 x 3.5" or 2.5" SAS/SATA HDD/SSD
- Hot swappable drive: Yes
- External port: 2 x USB 3.0 port, 1 x Expansion Port
- LAN: 2 x 10GbE RJ-45 (10GBASE-T), 4 x GbE RJ-45

4.5.2. Software Specifications

- Networking protocol: SMB, AFP, NFS, FTP, WebDAV, CalDAV, iSCSI, Telnet, SSH, SNMP, VPN (PPTP, OpenVPN™, L2TP)
- File system: Btrfs, ext4, ext3, FAT, NTFS, HFS+, exFAT4
- Supported RAID type: Basic, JBOD, RAID 0, RAID 1, RAID 5, RAID 6, RAID 10
- Storage management:
 - Maximum single volume size: 108 TB/200 TB (at least 32 GB RAM required, for RAID 5 or RAID 6 groups only)
 - Maximum system snapshots: 65,536
 - Maximum internal volume: 256
- File sharing capability
 - Maximum local user accounts: 16,000
 - Maximum local groups: 512
 - Maximum shared folders: 512
 - Maximum concurrent SMB/NFS/AFP/FTP connections: 4,000

• Support virtualization

4.5.3. Hard Drive Specifications

- Capacity: 8TB
- Form Factor: 3.5"
- Interface: SATA 6 Gb/s
- Sector Size: 512e
- Rotational Speed: 7,200 rpm
- Interface Speed: 6.0 Gb/s, 3.0 Gb/s, 1.5 Gb/s
- Buffer Size: 256 MiB
- Maximum Sustained Data Transfer Speed: 248 MiB/s
- Warranty: 5 years

4.6. UPS

- 4.6.1. Rating (VA/W): 2200VA / 2200W
- 4.6.2. Format: 2RU
- 4.6.3. Battery: Hot-swappable
- 4.6.4. Sockets: 8 IEC 10A; 2 IEC 16A sockets with energy metering (including 5 remote controlled sockets)

- 4.6.5. Interfaces: 1 USB port; 1 serial RS232 port; 1 mini-terminal block for Remote ON/OFF; 1 mini-terminal block for Remote Power OFF; 1 mini-terminal block for output relay; 1 Ethernet port (RJ45)

5.0. DELIVERABLES

The following are the deliverables for this project:

5.1. Network and Cabling Works

- 5.1.1. Installation of the Active Network Components
- 5.1.2. Installation of cable guide from ceiling to server cabinets
- 5.1.3. Termination and testing of cable and connectors
- 5.1.4. Proper end-to-end tagging/labeling of cables and connectors for easier referencing and identification
- 5.1.5. Restoration and cleaning of all affected areas
- 5.1.6. Provide cable trays or ladder racks for the installation of fiber optic cables from the ceiling of the electrical room to server cabinets.
- 5.1.7. And other necessary works and materials for the successful implementation of the project.

5.2. Project Implementation Plan

This shall be submitted to GPPB-TSO for approval within ten (10) working days from receipt of the NTP. This submission should include detailed project activities with corresponding target duration, start and end dates, and other resource requirements, among others. The Project Implementation Plan shall also include, among others, the following:

- 5.2.1. System Configuration and Installation Plan with S-Curve
- 5.2.2. Network Test Plan
- 5.2.3. System Acceptance Plan
- 5.2.4. Submission of Architecture and Framework GPPB-TSO Network
- 5.2.5. List of the Supplier/Service Provider's personnel and their respective assignments to the project.
- 5.2.6. Other requirements that may be required by the GPPB-TSO.

5.3. Project Documentation

- 5.3.1. Technical Specifications and/or Data Sheets of all devices.
- 5.3.2. Preventive Maintenance and Operational Manual of all devices.
- 5.3.3. Network Floor Plan Lay-Out duly signed and sealed by a Professional Electronics Engineer (PECE).
- 5.3.4. Acceptance Testing Report on GPPB-TSO Network
- 5.3.5. And other documents that may be required by the GPPB-TSO for proper documentation of the Project.

5.4. After-project Enterprise Support and Warranty

- 5.4.1. The required warranty for all active network equipment and peripherals shall be one (1) year from the date of acceptance of the project.
- 5.4.2. The Supplier/Service Provider Technical Support shall be available for technical support and/or inquiries, through email or telephone/mobile call and on-site, for a period of at least one (1) year after the acceptance of the project.
 - a. Troubleshooting

b. Other necessary support services

5.4.3. Conduct annual preventive maintenance during the warranty period for all the components of the solution.

5.4.4. Contractor shall be responsible for all the costs related to the warranty period for hardware products.

5.4.5. Delivered devices and its components or parts shall be made available for at least five (5) years upon delivery.

5.5. Bill of Quantities

Item	Description	Quantity	Unit
Ground Floor			
1	UTP Cat6 patch cord 2 meters	48	pcs
2	24 port Cat6 Patch Panel loaded with label	2	pcs
3	Horizontal cable manager 1ru	2	pcs
4	24 port Network Switch	1	unit
5	24 port Network Switch (POE)	1	unit
6	10GB SFP+ module duplex MM	2	pcs
7	IDF 2.5FT data cabinet rack wall mounted (with power outlet)	1	unit
8	Wireless Access Point	6	units
9	Fiber Patch Panel 12 port SC loaded MM	1	unit
10	Fiber Patch Cord 1 meter OM3 SC-LC duplex MM	4	pcs
Second Floor			
11	UTP Cat6 patch cord 2 meters	96	pcs
12	24 port Cat6 Patch Panel loaded with label	4	pcs
13	Horizontal cable manager 1ru	4	pcs
14	24 port Network Switch	1	unit
15	24 port Network Switch (POE)	3	units
16	10GB SFP+ module duplex MM	4	pcs
17	IDF 2.5FT data cabinet rack wall mounted (with power outlet)	1	unit
18	Wireless Access Point	9	units
19	Fiber Patch Panel 12 port SC loaded MM	1	unit
20	Fiber Patch Cord 1 meter OM3 SC-LC duplex MM	8	pcs
Third Floor			
21	UTP Cat6 patch cord 2 meters	168	pcs
22	24 port Cat6 Patch Panel loaded with label	7	pcs
23	Horizontal cable manager 1ru	7	pcs
24	Core Switch	1	unit
25	10GB SFP+ module duplex MM	25	pcs
26	24 port Network Switch	2	units
27	24 port Network Switch (POE)	1	unit
28	10GB SFP+ module duplex MM	3	pcs
29	IDF 7FT data cabinet rack free standing (with fixed tray and power outlet)	1	unit
30	Wireless Access Point	7	units
31	Fiber Patch Panel 48 port SC loaded MM	1	unit
32	Fiber Patch Cord 1 meter OM3 SC-LC duplex MM	60	pcs
33	Fiber Cable 8 Core MM Data Backbone	500	mtrs
34	Network Attached Storage (with 12 pcs. Hard Disk Drive)	1	unit

35	2KVA UPS	1	unit
Fourth Floor			
36	UTP Cat6 patch cord 2 meters	48	pcs
37	24 port Cat6 Patch Panel loaded with label	2	pcs
38	Horizontal cable manager 1ru	2	pcs
39	24 port Network Switch	1	unit
40	24 port Network Switch (POE)	1	units
41	10GB SFP+ module duplex MM	2	pcs
42	IDF 2.5FT data cabinet rack wall mounted (with power outlet)	1	unit
43	Wireless Access Point	6	units
44	Fiber Patch Panel 12 port SC loaded MM	1	unit
45	Fiber Patch Cord 1 meter OM3 SC-LC duplex MM	4	pcs
Fifth Floor			
46	UTP Cat6 patch cord 2 meters	48	pcs
47	24 port Cat6 Patch Panel loaded with label	2	pcs
48	Horizontal cable manager 1ru	2	pcs
49	24 port Network Switch	1	unit
50	24 port Network Switch (POE)	1	units
51	10GB SFP+ module duplex MM	2	pcs
52	IDF 2.5FT data cabinet rack wall mounted (with power outlet)	1	unit
53	Wireless Access Point	7	units
54	Fiber Patch Panel 12 port SC loaded MM	1	unit
55	Fiber Patch Cord 1 meter OM3 SC-LC duplex MM	4	pcs
Sixth Floor			
56	UTP Cat6 patch cord 2 meters	48	pcs
57	24 port Cat6 Patch Panel loaded with label	2	pcs
58	Horizontal cable manager 1ru	2	pcs
59	24 port Network Switch	1	unit
60	24 port Network Switch (POE)	1	unit
61	10GB SFP+ module duplex MM	2	pcs
62	IDF 2.5FT data cabinet rack wall mounted (with power outlet)	1	unit
63	Wireless Access Point	8	units
64	Fiber Patch Panel 12 port SC loaded MM	1	unit
65	Fiber Patch Cord 1 meter OM3 SC-LC duplex MM	4	pcs

Item	Description	Quantity	Unit
	Installation Service, Equipment and Accessories		
1	Labor and Tools including Network Configuration, as-built plans and materials	1	lot

NOTE:

The service provider shall provide all other materials and peripherals necessary for the successful installation of all equipment and the system.

6.0 SELECTION CRITERIA

Qualification Requirements. The Service Provider should be an established IT company with experience in IT Infrastructure and Network Configuration with at least 5 years of experience similar to the project to be bid. They should mobilize key personnel as project managers and at least 3 IT experts, that must meet the following minimum qualifications:

Qualification	Minimum Requirements
Professional Experience (Company) <i>The qualifications of IT experts shall be subject to evaluation and validation of the IMD prior to deployment.</i>	<ul style="list-style-type: none"> • Should be an established IT company with experience in IT Infrastructure and Network Configuration and undertaken and completed a minimum of three (3) ICT projects in the last five (years). • Should submit copies of client's satisfactory certificates and/or certificates of completion and acceptance from at least three (3) clients for the last five (5) years, with similar contracts. Similar contracts refer to the supply, delivery, and installation of networks and peripherals.

7.0 DURATION OF ENGAGEMENT

The table below presents the target delivery schedule of identified project deliverables for a contract period of four (4) months.

Item No.	Deliverable	Target Delivery Schedule
1	Project Implementation Plan including all enumerated documents required under Item 5.2	Within 10 working days from receipt of the Notice to Proceed
2	Supply, delivery, and installation of all network equipment and hardware including proper configuration and commissioning of all hardware and components	120 calendar days from approval of the implementation plan
3	Admin and User's Training	Within 5 working days from the date of Project Completion
4	Project Documentation	Within 10 working days after the date of Admin and User's Training

The GPPB-TSO shall be given a minimum seven (7) working days-period to review and evaluate each report submitted by the Contractor/Supplier. The period allocated for the GPPB-TSO's review and evaluation shall be deemed not to interrupt or stop the running of Completion Period allocated Contractor/Supplier.

8.0 APPROVED BUDGET FOR THE CONTRACT

The approved budget for this Contract is Six Million Pesos only (PhpP6,000,000.00), inclusive of all applicable tax.

9.0 PAYMENT SCHEME/SCHEDULE

The payment schedule shall be as follows, subject to existing applicable budgeting, accounting, and auditing rules, laws, and regulations:

Item No.	Deliverables	% Payments of Total Value of the Contract
1	Supply and Delivery of Equipment and submission of Work Plan	15%
2	Installation, Testing, and Commission of Equipment and Issuance of Certificate of Completion	45%
3	Issuance of Final Acceptance	40%
TOTAL		100%

10.0 RESPONSIBILITIES OF GPPB-TSO

- 10.1 The GPPB-TSO shall be responsible for the procurement of hardware components and the required services to install commission;
- 10.2 It shall organize a counterpart GPPB-TSO Experts Team composed of subject matter experts and IT Staff, among others, and appoint a Project Leader (internal employee), duly authorized by the GPPB-TSO, who shall be responsible for the overall supervision of the Project and assist the Supplier/Service Provider in the successful implementation of the Project;
- 10.3 Provide pertinent data and other technical information necessary in the Supplier/Service Provider's performance of the service;
- 10.4 Provide a suitable work area to be used by the Supplier/Service Provider during the period of engagement;
- 10.5 The GPPB-TSO shall designate at least two (2) system administrators fully knowledgeable and competent in their functional areas;
- 10.6 The GPPB-TSO shall pay the Supplier/Service Provider in accordance with the payment scheme/schedule as specified in Item XI of this TOR; and
- 10.7 It shall allow the Supplier/Service Provider and its workers to access the facilities and other areas covered by the scope of work and ensure works and staff are compliant to Health Safety Standards.

11.0 OTHER CONDITION

- 11.1 The GPPB-TSO shall not be responsible for any claim for personnel injury or damage including death caused to employees of the Supplier/Service Provider in the performance of their duties.
- 11.2 The Supplier/Service Provider shall abide by all the GPPB-TSO policies and procedures on safety including the application for work permits. For security purposes, the Supplier/Service Provider's shall submit the list of names of the technical team/group assigned on the project.

Received document on
May 13, 2022

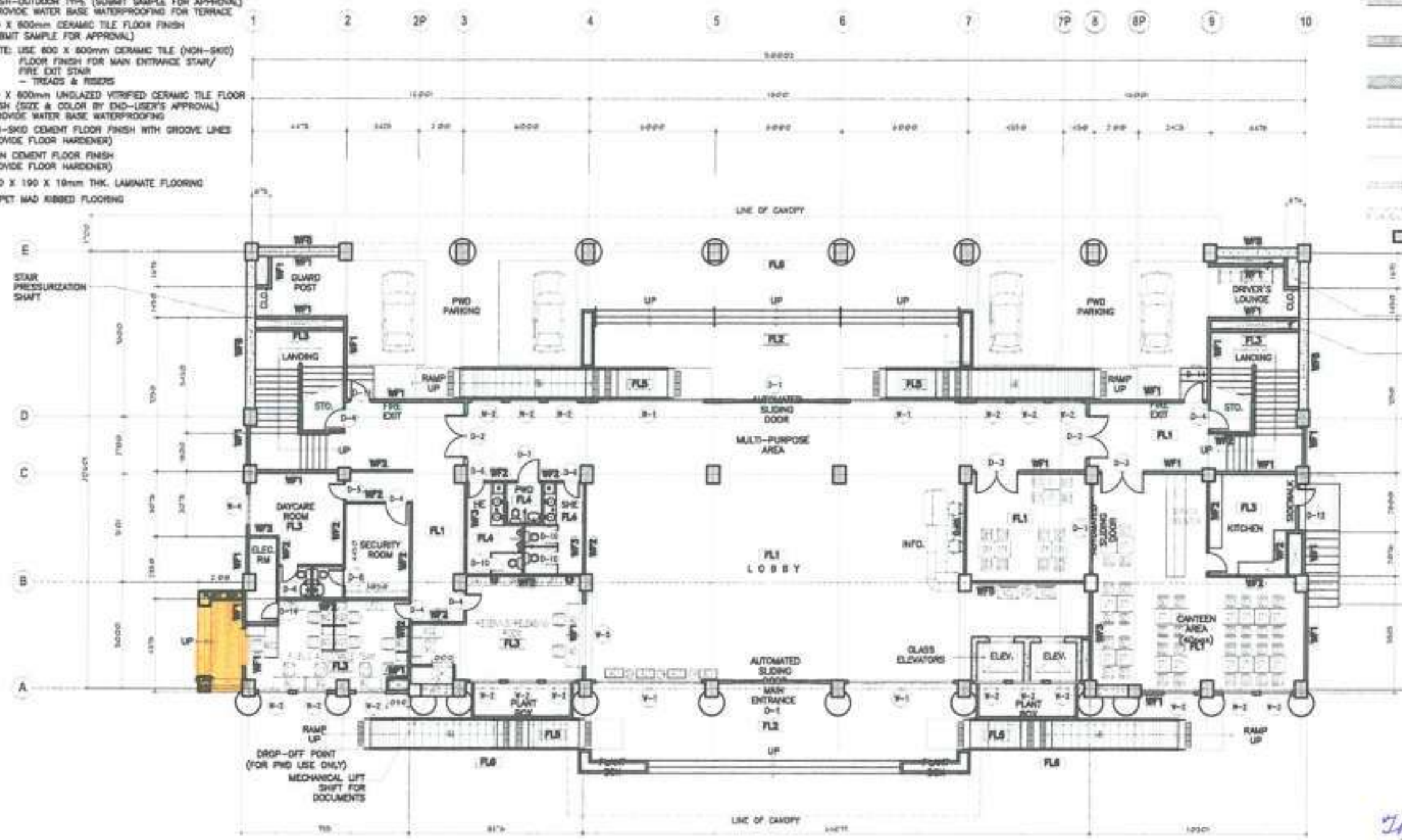
Revised Plans

SCHEDULE OF FLOOR FINISHES:

- FL1 800 X 800mm POLISHED SYNTHETIC GRANITE TILE FLOOR FINISH
- FL2 800 X 800mm TEXTURED CERAMIC TILE (NON-SKID) FLOOR FINISH—OUTDOOR TYPE (SUBMIT SAMPLE FOR APPROVAL) —PROVIDE WATER BASE WATERPROOFING FOR TERRACE
- FL3 800 X 800mm CERAMIC TILE FLOOR FINISH (SUBMIT SAMPLE FOR APPROVAL)
(NOTE: USE 800 X 800mm CERAMIC TILE (NON-SKID) FLOOR FINISH FOR MAIN ENTRANCE STAIR/FIRE EXIT STAIR — TREADS & RISERS)
- FL4 800 X 800mm UNGLAZED VITRIFIED CERAMIC TILE FLOOR FINISH (SIZE & COLOR BY END-USER'S APPROVAL) —PROVIDE WATER BASE WATERPROOFING
- FL5 NON-SKID CEMENT FLOOR FINISH WITH GROOVE LINES (PROVIDE FLOOR HARDENER)
- FL6 PLAIN CEMENT FLOOR FINISH (PROVIDE FLOOR HARDENER)
- FL7 1820 X 190 X 19mm THK. LAMINATE FLOORING
- FL8 CARPET W/AD RIBBED FLOORING

SCHEDULE OF WALL FINISHES:

- WF1 150mm THK. CHB W/ PLAIN CEMENT PLASTER (PAINTED FINISH)
- WF2 100mm THK. CHB W/ PLAIN CEMENT PLASTER (PAINTED FINISH)
- WF3 100mm THK. CHB W/ 800x800mm VITRIFIED WALL TILES (GLAZED)
- WF4 150mm THK. CHB W/ 800x800mm VITRIFIED WALL TILES (GLAZED)
- WF5 100mm THK. CHB W/ 1820x190x19mm THK. WALL PANELS
- WF6 12mm THK. TEMPERED GLASS
- WF7 DRYWALL PAINTED FINISH
- WF8 REINFORCED CONCRETE WALL
- REINFORCED CONCRETE COLUMN



REFRIGERANT PIPE SHAFT
STAIR PRESSURIZATION SHAFT
STAINLESS STEEL KITCHEN AND FOOD SERVICE EQUIPMENT BY OWNER'S SUPPLIED

REVISED GROUND FLOOR PLAN
SCALE: 1/8" = 1'-0"

This concern will focus mainly for partitions and room layouts

APPROVED BY: *Anna Emilia Rey*
APPROVED DATE: *18 May 2022*

 D.L. CERVANTES LOWY & ASSOCIATES INC.	PREPARED BY:	PROJECT NAME AND LOCATION:	DATE:	 REPUBLIC OF THE PHILIPPINES DEPARTMENT OF PUBLIC WORKS AND HIGHWAYS OFFICE OF THE ASSISTANT SECRETARY FOR PLANNING AND DESIGN 1680 Alabang Road, Alabang, Muntinlupa City, Metro Manila	CHECKED BY:	DESIGNED BY:	SCALE:	REVISIONS:	DATE:	DATE:	DATE:	DATE:	DATE:	DATE:
	DELWYN C. BALCOS REGISTERED ARCHITECT LICENSE NO. 10000	PROJECT MANAGER PROFESSOR ENGR. ENRIQUE S. DELA CRUZ OFFICE OF THE ASSISTANT SECRETARY FOR PLANNING AND DESIGN 1680 Alabang Road, Alabang, Muntinlupa City, Metro Manila	PROJECT NO.:		DATE:	VICTOR H. BADILO REGISTERED ARCHITECT LICENSE NO. 10000	ANGELINA B. MELCHOR REGISTERED ARCHITECT LICENSE NO. 10000	ERIBERTO B. SIOSON REGISTERED ARCHITECT LICENSE NO. 10000	JOHNSON V. DOMINGO REGISTERED ARCHITECT LICENSE NO. 10000	EDWIN C. MATANGULAN REGISTERED ARCHITECT LICENSE NO. 10000	MAXIMO L. CARVAJAL REGISTERED ARCHITECT LICENSE NO. 10000	DATE:	DATE:	DATE:

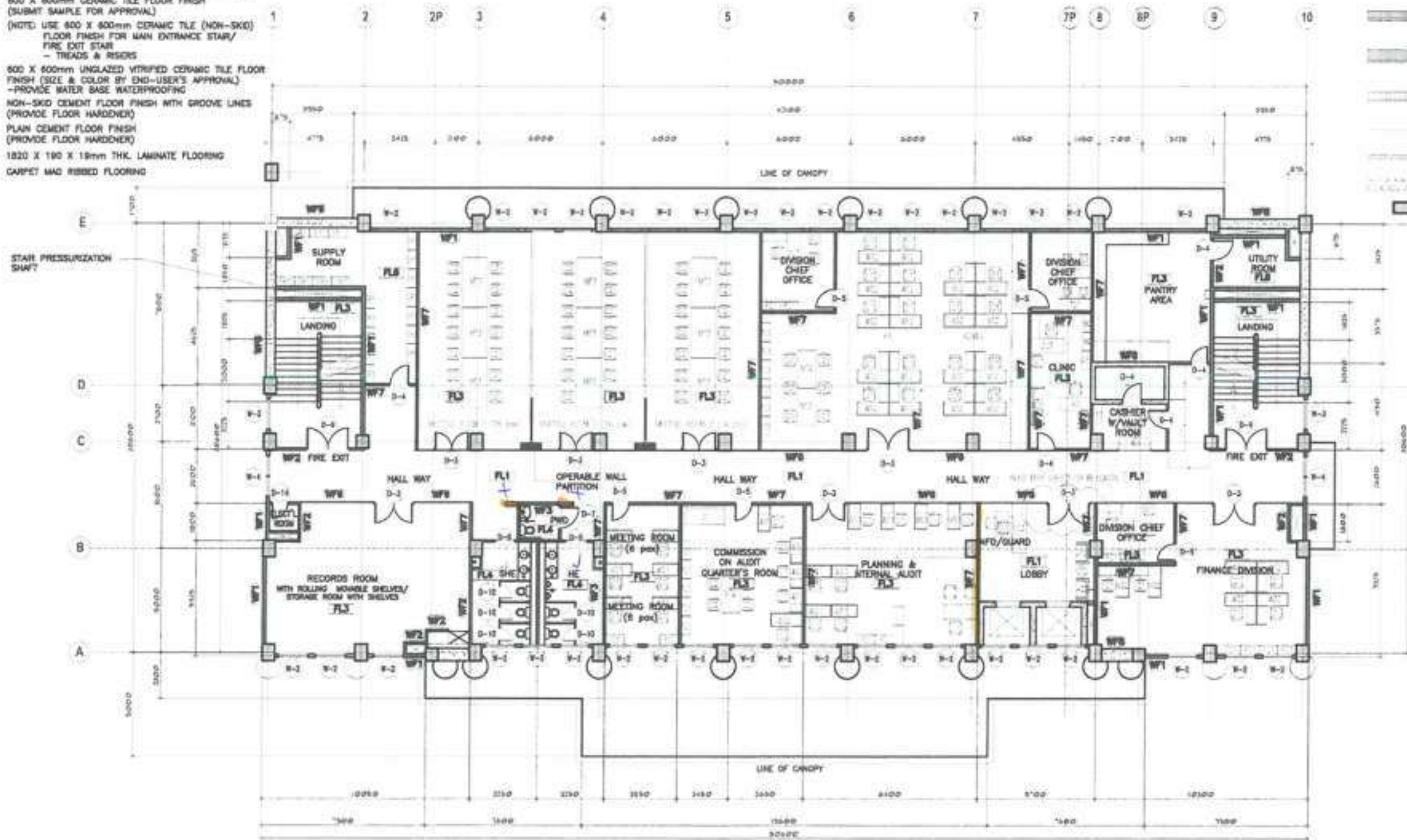
Received document on
May 13, 2022

SCHEDULE OF FLOOR FINISHES:

- FL1 800 X 800mm POLISHED SYNTHETIC GRANITE TILE FLOOR FINISH
- FL2 800 X 800mm TEXTURED CERAMIC TILE (NON-SKID) FLOOR FINISH-OUTDOOR TYPE (SUBMIT SAMPLE FOR APPROVAL) -PROVIDE WATER BASE WATERPROOFING FOR TERRACE
- FL3 600 X 800mm CERAMIC TILE FLOOR FINISH (SUBMIT SAMPLE FOR APPROVAL) (NOTE: USE 800 X 800mm CERAMIC TILE (NON-SKID) FLOOR FINISH FOR MAIN ENTRANCE STAIR/ FIRE EXIT STAIR - TREADS & RISERS)
- FL4 600 X 600mm UNGLAZED VITRIFIED CERAMIC TILE FLOOR FINISH (SIZE & COLOR BY END-USER'S APPROVAL) -PROVIDE WATER BASE WATERPROOFING
- FL5 NON-SKID CEMENT FLOOR FINISH WITH GROOVE LINES (PROVIDE FLOOR HARDENER)
- FL6 PLAIN CEMENT FLOOR FINISH (PROVIDE FLOOR HARDENER)
- FL7 1820 X 190 X 19mm THK. LAMINATE FLOORING
- FL8 CARPET M&G RIBBED FLOORING

SCHEDULE OF WALL FINISHES:

- WF1 150mm THK. CHB W/ PLAIN CEMENT PLASTER (PAINTED FINISH)
- WF2 100mm THK. CHB W/ PLAIN CEMENT PLASTER (PAINTED FINISH)
- WF3 100mm THK. CHB W/ 600x800mm VITRIFIED WALL TILES (GLAZED)
- WF4 150mm THK. CHB W/ 600x800mm VITRIFIED WALL TILES (GLAZED)
- WF5 100mm THK. CHB W/ 1820x190x19mm THK. WALL PANELS
- WF6 12mm THK. TEMPERED GLASS
- WF7 DRYWALL PAINTED FINISH
- WF8 REINFORCED CONCRETE WALL
- REINFORCED CONCRETE COLUMN



Received document
on May 13, 2022

1 REVISED SECOND FLOOR PLAN
A-2 SCALE 200 NTS

APPROVED BY: *Suma Amela Bay*
APPROVED DATE: *18 May 2022*

 	PROJECT	PROJECT MAP ALLOCATION	SHEET CONTENTS	 REPUBLIC OF THE PHILIPPINES DEPARTMENT OF PUBLIC WORKS AND HIGHWAYS Office of Public Construction Building and Road Projects Management Office 4th Floor, 27th St., Alabang, Muntinlupa City	DATE	DATE	DATE	DATE	DATE	DATE	DATE	DATE	DATE	DATE
	DELWYN C. BALCOS PROJECT MANAGER 02-8021-1222	PROJ. NO. 18-00000000-0000	PROJECT NO. 18-00000000-0000			VICTOR H. BADILLO PROJECT ENGINEER 0917-547170	ANGELINA B. MELCHOR PROJECT MANAGER 0917-547170	ERIBERTO B. SISON CHECKER 0917-547170	JOHNSON V. DOMINGO PROJECT DIRECTOR 0917-547170	EDWIN C. MATANGUSHAN CO-ORDINATOR 0917-547170	MAXIMO L. CARVAJAL SUPERVISOR FOR TECHNICAL SERVICES	A	2	2

SCHEDULE OF FLOOR FINISHES:

- FL1 800 X 800mm POLISHED SYNTHETIC GRANITE TILE FLOOR FINISH
- FL2 800 X 800mm TEXTURED CERAMIC TILE (NON-SKID) FLOOR FINISH-OUTDOOR TYPE (SUBMIT SAMPLE FOR APPROVAL) -PROVIDE WATER BASE WATERPROOFING FOR TERRACE
- FL3 800 X 800mm CERAMIC TILE FLOOR FINISH (SUBMIT SAMPLE FOR APPROVAL)
(NOTE: USE 800 X 800mm CERAMIC TILE (NON-SKID) FLOOR FINISH FOR MAIN ENTRANCE STAIR/FIRE EXIT STAIR - TREADS & RISERS)
- FL4 800 X 800mm UNGLAZED VITRIFIED CERAMIC TILE FLOOR FINISH (SIZE & COLOR BY END-USER'S APPROVAL) -PROVIDE WATER BASE WATERPROOFING
- FL5 NON-SKID CEMENT FLOOR FINISH WITH GROOVE LINES (PROVIDE FLOOR HARDENER)
- FL6 PLAIN CEMENT FLOOR FINISH (PROVIDE FLOOR HARDENER)
- FL7 1820 X 190 X 12mm THK LAMINATE FLOORING
- FL8 CARPET M40 REBbed FLOORING

SCHEDULE OF WALL FINISHES:

- WF1 150mm THK. CHB W/ PLAIN CEMENT PLASTER (PAINTED FINISH)
- WF2 100mm THK. CHB W/ PLAIN CEMENT PLASTER (PAINTED FINISH)
- WF3 100mm THK. CHB W/ 600x800mm VITRIFIED WALL TILES (GLAZED)
- WF4 150mm THK. CHB W/ 600x800mm VITRIFIED WALL TILES (GLAZED)
- WF5 100mm THK. CHB W/ 1820x190x12mm THK. WALL PANELS
- WF6 12mm THK. TEMPERED GLASS
- WF7 DRYMIX PAINTED FINISH
- WF8 REINFORCED CONCRETE WALL
- REINFORCED CONCRETE COLUMN



Received document/plan on 13 May 2022

REVISED THIRD FLOOR PLAN
SCALE: 200 MTS

APPROVED BY: *Emma Smith M. Paf*
APPROVED DATE: *18 May 2022*

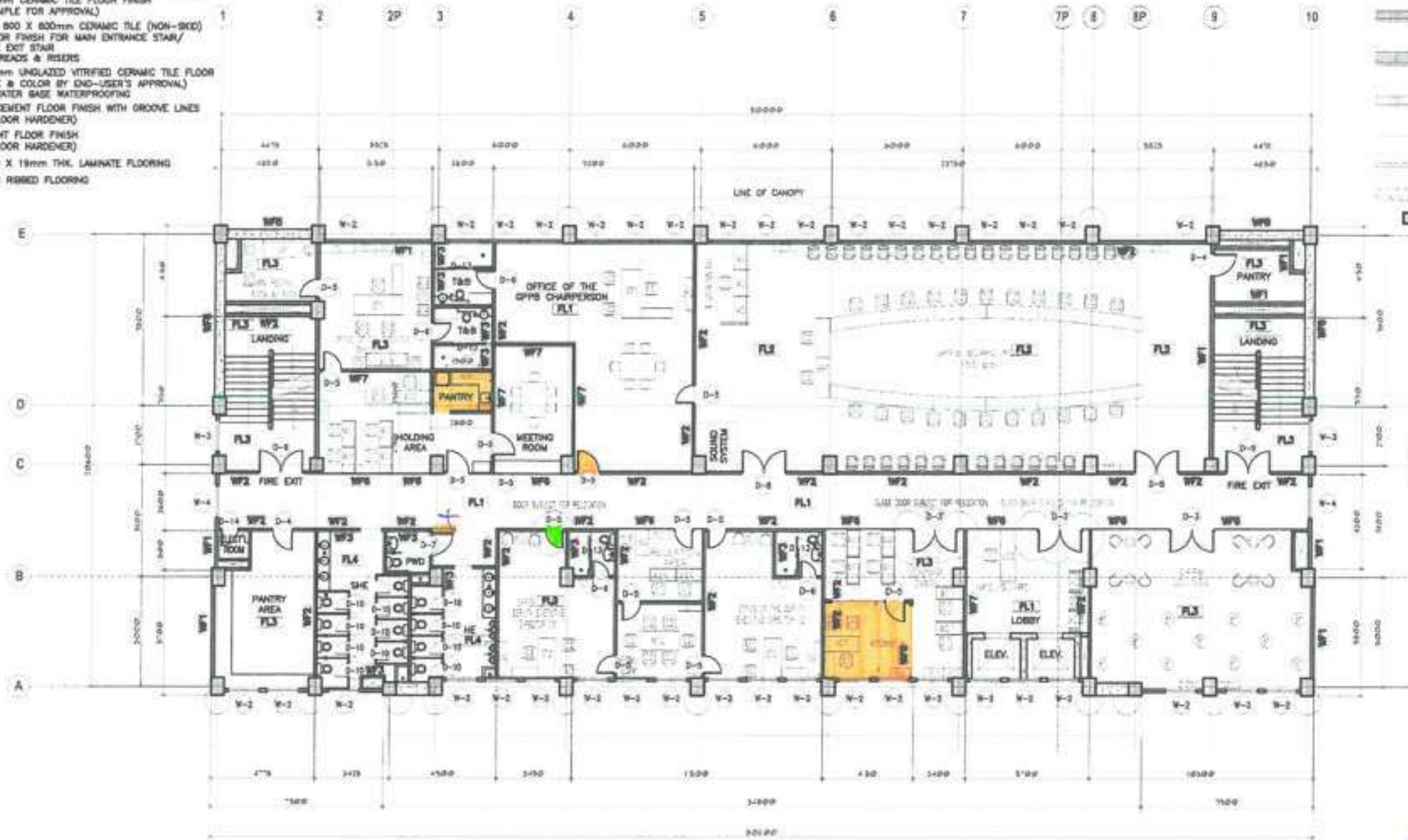
	PREPARED BY	PROJECT NAME AND LOCATION	SHEET CONTENTS		DESIGNED BY	REVIEWED BY	APPROVED BY	DATE	DATE	DATE	DATE	DATE	DATE	DATE	DATE	DATE
	DELWYN C. BALCOS PROJECT MANAGER 3000-1000	PROJECT MANAGER 3000-1000 UP-BUILDING CONSTRUCTION 3000-1000	REVISIONS 3000-1000		REVISIONS 3000-1000	VICTOR H. BADILLO PROJECT ENGINEER 3000-1000	ANGELINA B. MELCHOR PROJECT MANAGER 3000-1000	ERIBERTO B. SIBSON L-REP 3000-1000	JOHNSON V. DOMINGO PROJECT DIRECTOR 3000-1000	EDWIN C. MATANGUIHAN CC - DIRECTOR 3000-1000	MAXIMO L. CARVAJAL L-REPRESENTATIVE 3000-1000	A 37	3 7			

SCHEDULE OF FLOOR FINISHES:

- FL1 800 X 800mm POLISHED SYNTHETIC GRANITE TILE FLOOR FINISH
- FL2 800 X 800mm TEXTURED CERAMIC TILE (NON-SKID) FLOOR FINISH-OUTDOOR TYPE (SUBMIT SAMPLE FOR APPROVAL) -PROVIDE WATER BASE WATERPROOFING FOR TERRACE
- FL3 800 X 800mm CERAMIC TILE FLOOR FINISH (SUBMIT SAMPLE FOR APPROVAL) (NOTE: USE 800 X 800mm CERAMIC TILE (NON-SKID) FLOOR FINISH FOR MAIN ENTRANCE STAIR/FIRE EXIT STAIR - TREADS & RISERS)
- FL4 800 X 800mm UNGLAZED VITRIFIED CERAMIC TILE FLOOR FINISH (SIZE & COLOR BY END-USER'S APPROVAL) -PROVIDE WATER BASE WATERPROOFING
- FL5 NON-SKID CEMENT FLOOR FINISH WITH GROOVE LINES (PROVIDE FLOOR HARDENER)
- FL6 PLANK CEMENT FLOOR FINISH (PROVIDE FLOOR HARDENER)
- FL7 1820 X 190 X 19mm THK. LAMINATE FLOORING
- FL8 CARPET MAD RIBBED FLOORING

SCHEDULE OF WALL FINISHES:

- WF1 150mm THK. CHB W/ PLAIN CEMENT PLASTER (PAINTED FINISH)
- WF2 100mm THK. CHB W/ PLAIN CEMENT PLASTER (PAINTED FINISH)
- WF3 100mm THK. CHB W/ 600x600mm VITRIFIED WALL TILES (GLAZED)
- WF4 150mm THK. CHB W/ 600x600mm VITRIFIED WALL TILES (GLAZED)
- WF5 100mm THK. CHB W/ 1820x190x19mm THK. WALL PANELS
- WF6 12mm THK. TEMPERED GLASS
- WF7 DRYWALL PAINTED FINISH
- WF8 REINFORCED CONCRETE WALL
- REINFORCED CONCRETE COLUMN



REVISED FOURTH FLOOR PLAN
SCALE: 300 MTS

Received document/plans on 13 May 2022

APPROVED BY: *Emma Janela Puy*
APPROVED DATE: *16 May 2022*

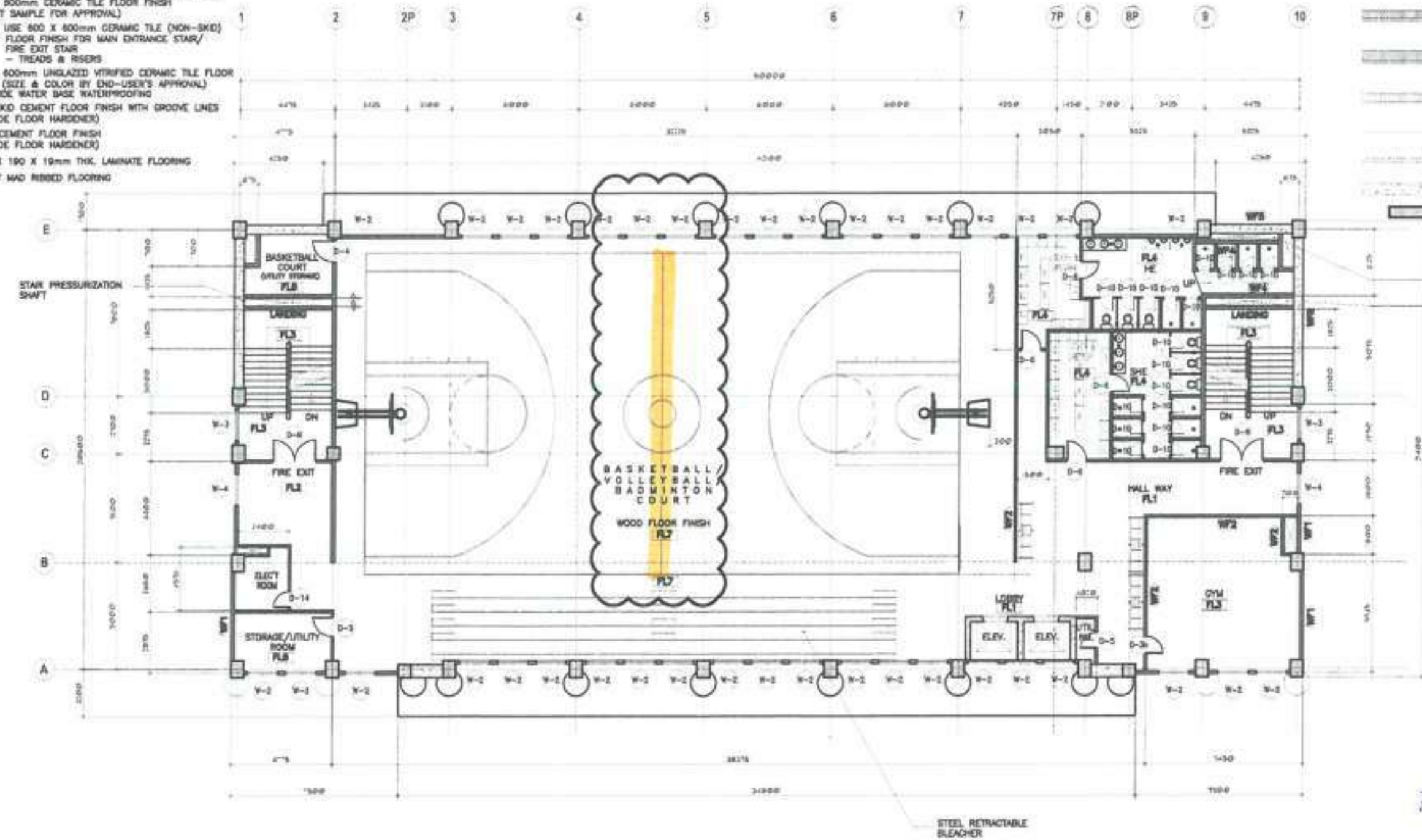
	PREPARED	PROJECT NO. / LOCATION	SHEET NO. / TOTAL SHEETS		DESIGNED	MANAGED	REVIEWED	REVISIONS	APPROVED	DATE	SCALE
	DELWYN C. BALCOS PROJECT MANAGER 0905-8500	PROJECT NO. 14-10-00000 DIVISION OF CIVIL ENGINEERING DIVISION OF CIVIL ENGINEERING DIVISION OF CIVIL ENGINEERING	14-10-00000-001 DIVISION OF CIVIL ENGINEERING DIVISION OF CIVIL ENGINEERING		14-10-00000-001 DIVISION OF CIVIL ENGINEERING DIVISION OF CIVIL ENGINEERING	VICTOR H. BADILLO PROJECT ENGINEER 0905-8500	ANGELINA B. MELCHOR PROJECT MANAGER 0905-8500	ERIBERTO B. SOSON C-09 0905-8500	JOHNSON V. DOMINGO C-09 0905-8500	EDWIN C. MATANGUIHAN C-09 0905-8500	MAXIMO L. CARVAJAL C-09 0905-8500

SCHEDULE OF FLOOR FINISHES:

- FL1 900 X 900mm POLISHED SYNTHETIC GRANITE TILE FLOOR FINISH
- FL2 800 X 800mm TEXTURED CERAMIC TILE (NON-SKID) FLOOR FINISH-OUTDOOR TYPE (SUBMIT SAMPLE FOR APPROVAL) -PROVIDE WATER BASE WATERPROOFING FOR TERRACE
- FL3 800 X 800mm CERAMIC TILE FLOOR FINISH (SUBMIT SAMPLE FOR APPROVAL) (NOTE: USE 800 X 800mm CERAMIC TILE (NON-SKID) FLOOR FINISH FOR MAIN ENTRANCE STAIR/FIRE EXIT STAIR - TREADS & RISERS)
- FL4 800 X 800mm UNGLAZED VITRIFIED CERAMIC TILE FLOOR FINISH (SIZE & COLOR BY END-USER'S APPROVAL) -PROVIDE WATER BASE WATERPROOFING
- FL5 NON-SKID CEMENT FLOOR FINISH WITH GROOVE LINES (PROVIDE FLOOR HARDENER)
- FL6 PLAIN CEMENT FLOOR FINISH (PROVIDE FLOOR HARDENER)
- FL7 1820 X 180 X 19mm THK. LAMINATE FLOORING
- FL8 CARPET MAD RIBBED FLOORING

SCHEDULE OF WALL FINISHES:

- WF1 150mm THK. CHB W/ PLAIN CEMENT PLASTER (PAINTED FINISH)
- WF2 100mm THK. CHB W/ PLAIN CEMENT PLASTER (PAINTED FINISH)
- WF3 100mm THK. CHB W/ 800x800mm VITRIFIED WALL TILES (GLAZED)
- WF4 150mm THK. CHB W/ 800x800mm VITRIFIED WALL TILES (GLAZED)
- WF5 100mm THK. CHB W/ 1820x180x19mm THK. WALL PANELS
- WF6 12mm THK. TEMPERED GLASS
- WF7 DRYBRL PAINTED FINISH
- WF8 REINFORCED CONCRETE WALL
- REINFORCED CONCRETE COLUMN

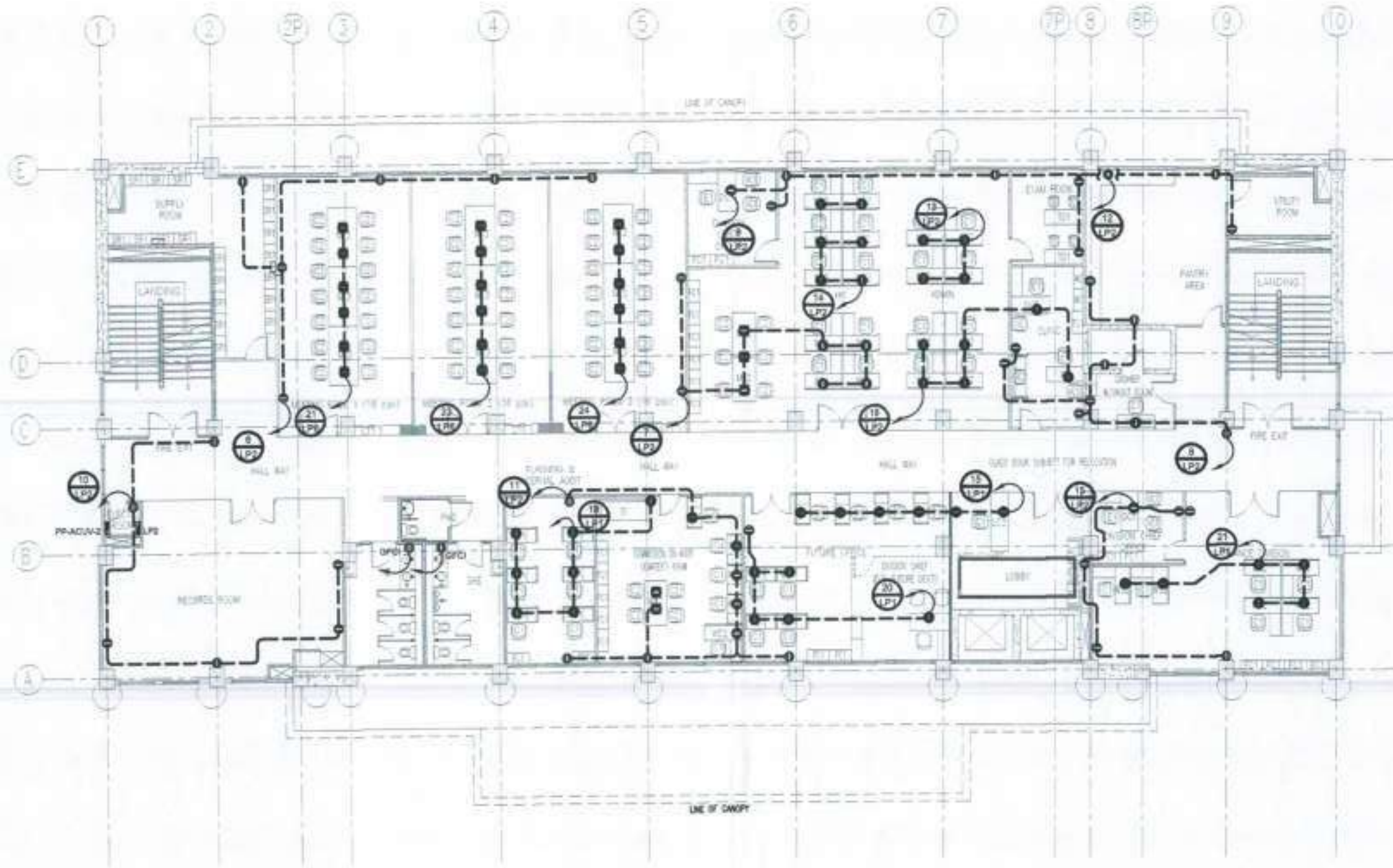


*Received document on
13 May 2022*

1
A-7 REVISED SEVENTH FLOOR PLAN
SCALE: 200 NTS

APPROVED BY: *Anna Amelia Paz*
APPROVED DATE: *18 May 2022*

 	PREPARED BY: DELWYN C. BALCOS PROJECT MANAGER BLDG-1000	PROJECT ARCHITECT/DESIGNER: PROJECT SEVEN (7) STORES OCCUPANCY IMPROVEMENT PROJECT (PHASE 1) BLDG-1000, 1-3/FLOOR 1, BLDG-1000 17 DELWYN C. BALCOS JUNIOR ARCHITECT (CP)	ARCHITECT OF RECORD: DELWYN C. BALCOS JUNIOR ARCHITECT (CP)	 REP. DIV. OF THE PHILIPPINE DEPARTMENT OF PUBLIC WORKS AND HIGHWAYS OFFICE OF THE ASSISTANT SECRETARY FOR BUILDING AND CONSTRUCTION Management Office (17th Floor, 1000, 1000, 1000)	CHECKED BY: VICTOR H. BADILLO PROJECT ENGINEER BLDG-1000	DRAWN BY: ANGELINA B. MELCHOR PROJECT ARCHITECT BLDG-1000	REVIEWED BY: ERIBERTO B. SIOSON 1-10 BUILDING DESIGNER, A/C	REVISIONS BY: JOHNSON V. DOMINGO PROJECT DIRECTOR BLDG-1000	APPROVED BY: EDWIN C. MATANGUIHAN 200-1000 3-18 DIVISION CHIEF BUREAU OF DESIGN	APPROVED BY: MAXIMO L. CARVAJAL 1000-1000 1000-1000 SUPERVISOR FOR TECHNICAL SERVICES	SHEET NO. A 7	TOTAL SHEETS 7
	DATE:	DATE:	DATE:	DATE:	DATE:							



REVISED SECOND FLOOR POWER LAYOUT PLAN
SCALE 1:100 M.

NOTE:
PURSUANT TO SECTION 4 OF ANNEX "A" OF THE REVISED IMPLEMENTING RULES AND REGULATIONS OF RA 9164, APPROVAL BY THE AUTHORIZED SPAN OFFICIALS OF DETAILED ENGINEERING DRAWINGS AND DESIGN INSTRUMENTS BY CONSULTANTS DOES NOT TRANSFER THE RESPONSIBILITY OF THE LATTER FOR THE RESPONSIBILITY TO APPROVING OFFICIALS.

THE DESIGN CONSULTANT SHALL BE HELD FULLY RESPONSIBLE FOR THE FAILURE OF THE FACILITY DUE TO FAULTY DESIGN EXCEPT FOR THE CHANGES MADE WITHOUT THE OF THE DESIGNER.

ORVILLE R. SINGSON
ELECTRICAL DESIGN
POSITION: ELECTRICAL ENGINEER
PRC No. 150461 (PTE) TRN No. 151-409-129
PTR No. T520942, 01-03-18, MARIKINA CITY

WISMON CONSTRUCTION & DEVELOPMENT CORPORATION
D.L. CERVANTES CONSTRUCTION CORPORATION

DESIGNED & DRAWN BY: *[Signature]*
JOHN P. LAQUINDANUM
PROJECT MANAGER
DATE: 3/14/2018

PREPARED BY: *[Signature]*
DELWYN C. BALCOS
PROJECT MANAGER
DATE:

PROJECT NAME AND LOCATION:
PROPOSED SEVEN (7)-STOREY GOVERNMENT PROCUREMENT POLICY BOARD TECHNICAL SUPPORT OFFICE (GPPB-TSO) BUILDING
UP ISLAMAN COMPOUND, SURABAL QUEZON CITY

SHEET CONTENTS:
REVISED SECOND FLOOR POWER LAYOUT PLAN

REPUBLIC OF THE PHILIPPINES
DEPARTMENT OF PUBLIC WORKS AND HIGHWAYS
Luzon Project Management Office
Buildings and Special Projects Management Office
3rd Street, CENROCOM Compound, Quezon City

CHECKED: *[Signature]*
VICTOR H. BADILLO
PROJECT ENGINEER
BSPMC-UPMO
DATE:

SUBMITTED: *[Signature]*
ANGELINA B. MELCHOR
PROJECT MANAGER II
BSPMC-UPMO
DATE:

REVIEWED: *[Signature]*
ERIBERTO S. SISON
CHIEF, BUILDINGS DIVISION
BUREAU OF DESIGN
DATE:

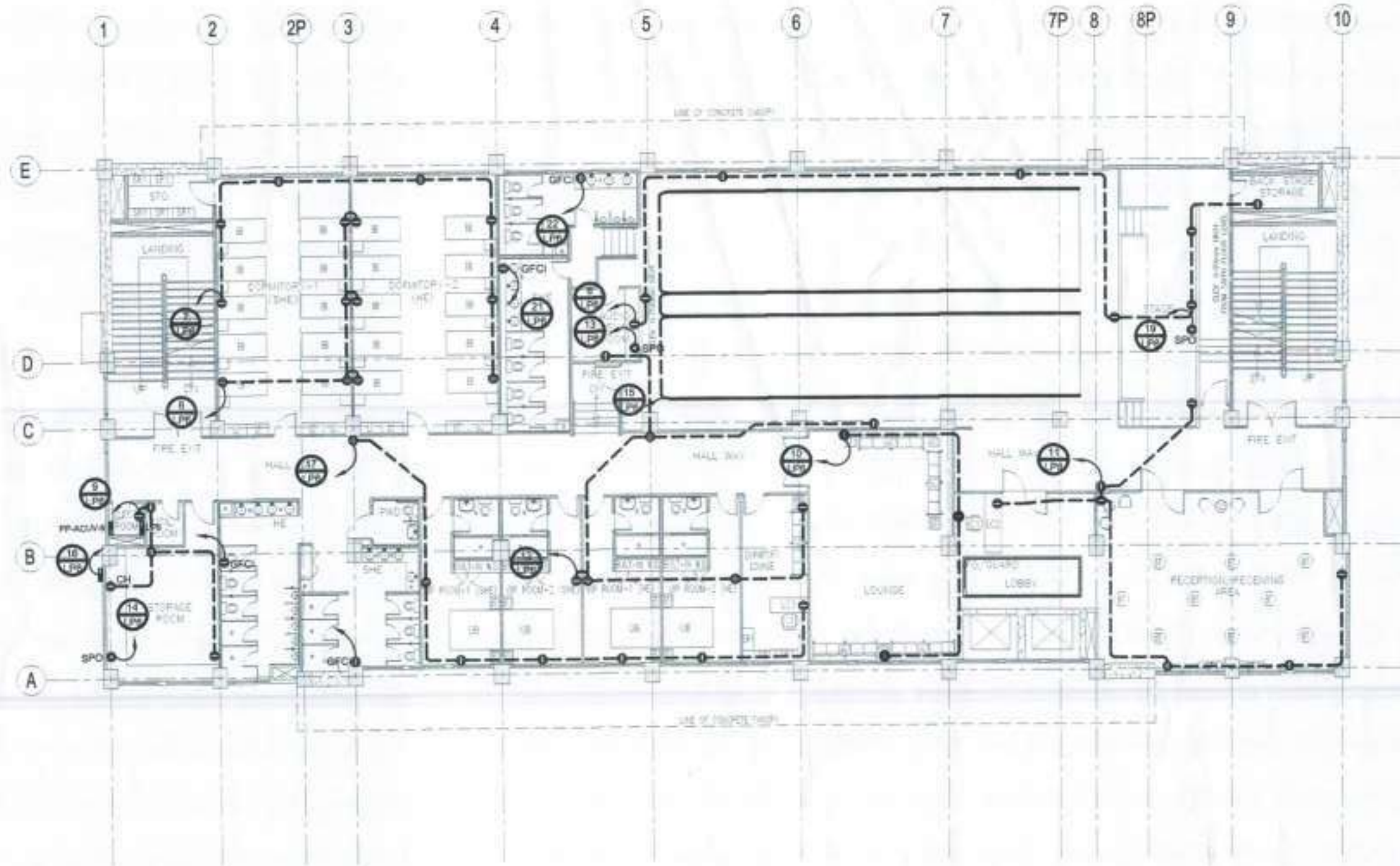
RECOMMENDED: *[Signature]*
JOHNSON V. DOMINGO
PROJECT DIRECTOR
BSPMC-UPMO
DATE:

[Signature]
EDWIN C. MATANGUIHAN
OIC - DIRECTOR
BUREAU OF DESIGN
DATE:

APPROVED: *[Signature]*
MAXIMO L. CARVAJAL
UNDERSECRETARY FOR TECHNICAL SERVICES
DATE:

SHEET NO. **E**
3/11

SHEET NO. **3**
11



REVISOR'S MARK: REVISED SIXTH FLOOR POWER LAYOUT PLAN
SCALE: 1:100 M.

NOTE:
PURSUANT TO SECTION 4 OF ANNEX "A" OF THE REVENUE IMPLEMENTING RULES AND REGULATIONS OF RA 7093, APPROVAL BY THE AUTHORIZED SPAN OFFICIALS OF DESIGN ENGINEERING BUREAU AND DESIGN INSPECTION BY CONSULTANTS NEITHER CONFERRED THE RESPONSIBILITY OF THE LATTER FOR THE RESPONSIBILITY TO APPROVED OFFICIALS.

THE DESIGN CONSULTANT SHALL BE FULLY RESPONSIBLE FOR THE FAILURE OF THE FACILITY DUE TO FAULTY DESIGN EXCEPT FOR THE CHANGES MADE BEYOND THE OF THE DESIGNER.

ORVILLE R. SISON
ELECTRICAL DESIGN
POSITION: ELECTRICAL ENGINEER
PRC NO. 0264117198 TEL NO. 126-428-113
PTR NO. 722262, 21-43-79, MARIKINA CITY

 	REVIEWED AND APPROVED BY: ARNEL P. AQUINMANUM PROJECT MANAGER BUDGET ROOM DATE:	PREPARED BY: DERRWYN C. BALCOS PROJECT MANAGER BUDGET ROOM DATE:	PROJECT NAME AND LOCATION: PROPOSED SEVEN (7)-STOREY GOVERNMENT PROUREMENT POLICY BOARD TECHNICAL SUPPORT OFFICE (SPPS-TSO) BUILDING 4F DILIMAN COMPOUND, DILIMAN, QUEZON CITY	SHEET CONTENTS: REVISED SIXTH FLOOR POWER LAYOUT PLAN	 REPUBLIC OF THE PHILIPPINES DEPARTMENT OF PUBLIC WORKS AND HIGHWAYS Unified Project Management Office Buildings and Special Projects Management Office 3rd Street (2nd to 4th Computers) Pasay North	CHECKED: VICTOR H. BADILLO PROJECT ENGINEER II BSPAC-UPMO DATE:	SUBMITTED: ANGELINA S. MELCHOR PROJECT MANAGER II BSPAC-UPMO DATE:	REVIEWED: ERIBERTO B. SISON CHIEF, BUILDINGS DIVISION BUREAU OF DESIGN DATE:	RECOMMENDED: JOHNSON V. DOMINGO PROJECT DIRECTOR BSPAC-UPMO DATE:	APPROVED: EDWIN C. MATANGUIHAN OIC - DIRECTOR BUREAU OF DESIGN DATE:	APPROVED: MAXIMO L. CARVAJAL UNDERSECRETARY FOR TECHNICAL SERVICES DATE:	SET NO. E 7/11	SHEET NO. 7 11
------	--	---	--	--	--	--	---	---	--	---	--	-----------------------------	-----------------------------

SCHEDULE OF LOAD

CIR. NO.	LOAD DESCRIPTION	VA	VOLTS	VA PER PHASE			BRANCH Ckt. BREAKER	SIZE OF WIRE AND CONDUIT
				AN	BN	CN		
1	LIGHTING	1044 400/230	2044				15 50 1P 10	2-3.5mm ² THHN WIRE STRANDED, + 1-3.5mm ² TW (S) WIRE STRANDED, 20mm ² PVC
2	LIGHTING	1471 400/230	1471				15 50 1P 10	2-3.5mm ² THHN WIRE STRANDED, + 1-3.5mm ² TW (S) WIRE STRANDED, 20mm ² PVC
3	ALTIMATED SLIDING DOOR	250 400/230		250			15 50 1P 10	2-3.5mm ² THHN WIRE STRANDED, + 1-3.5mm ² TW (S) WIRE STRANDED, 20mm ² PVC
4	LIGHTING	1343 400/230			1343		15 50 1P 10	2-3.5mm ² THHN WIRE STRANDED, + 1-3.5mm ² TW (S) WIRE STRANDED, 20mm ² PVC
5	LIGHTING	574 400/230				574 15 50 1P 10		2-3.5mm ² THHN WIRE STRANDED, + 1-3.5mm ² TW (S) WIRE STRANDED, 20mm ² PVC
6	CONVENIENCE OUTLET (R130VA)	1080 400/230				1080 20 50 1P 10		2-3.5mm ² THHN WIRE STRANDED, + 1-3.5mm ² TW (S) WIRE STRANDED, 20mm ² PVC
7	CONVENIENCE OUTLET (R130VA)	1290 400/230				1290 20 50 1P 10		2-3.5mm ² THHN WIRE STRANDED, + 1-3.5mm ² TW (S) WIRE STRANDED, 20mm ² PVC
8	CONVENIENCE OUTLET (R130VA)	1290 400/230				1290 20 50 1P 10		2-3.5mm ² THHN WIRE STRANDED, + 1-3.5mm ² TW (S) WIRE STRANDED, 20mm ² PVC
9	CONVENIENCE OUTLET (R130VA)	1290 400/230				1290 20 50 1P 10		2-3.5mm ² THHN WIRE STRANDED, + 1-3.5mm ² TW (S) WIRE STRANDED, 20mm ² PVC
10	CONVENIENCE OUTLET (R130VA)	1980 400/230				1980 20 50 1P 10		2-3.5mm ² THHN WIRE STRANDED, + 1-3.5mm ² TW (S) WIRE STRANDED, 20mm ² PVC
11	SPECIAL PURPOSE OUTLET	1900 400/230				1900 20 50 1P 10		2-3.5mm ² THHN WIRE STRANDED, + 1-3.5mm ² TW (S) WIRE STRANDED, 20mm ² PVC
12	LIGHTING	1984 400/230				1984 20 50 1P 10		2-3.5mm ² THHN WIRE STRANDED, + 1-3.5mm ² TW (S) WIRE STRANDED, 20mm ² PVC
13	ALTIMATED SLIDING DOOR	250 400/230	250			20 50 1P 10		2-3.5mm ² THHN WIRE STRANDED, + 1-3.5mm ² TW (S) WIRE STRANDED, 20mm ² PVC
14	SPECIAL PURPOSE OUTLET	1301 400/230				20 50 1P 10		2-3.5mm ² THHN WIRE STRANDED, + 1-3.5mm ² TW (S) WIRE STRANDED, 20mm ² PVC
15	CONVENIENCE OUTLET (R130VA)	1280 400/230				1080 20 50 1P 10		2-3.5mm ² THHN WIRE STRANDED, + 1-3.5mm ² TW (S) WIRE STRANDED, 20mm ² PVC
16	CONVENIENCE OUTLET (R130VA)	1440 400/230				1440 20 50 1P 10		2-3.5mm ² THHN WIRE STRANDED, + 1-3.5mm ² TW (S) WIRE STRANDED, 20mm ² PVC
17	FACE	250 400/230				250 20 50 1P 10		2-3.5mm ² THHN WIRE STRANDED, + 1-3.5mm ² TW (S) WIRE STRANDED, 20mm ² PVC
18	FACE	3404 400/230				3404 20 50 1P 10		2-3.5mm ² THHN WIRE STRANDED, + 1-3.5mm ² TW (S) WIRE STRANDED, 20mm ² PVC
19	CONVENIENCE OUTLET (R130VA)	1260 400/230				1260 20 50 1P 10		2-3.5mm ² THHN WIRE STRANDED, + 1-3.5mm ² TW (S) WIRE STRANDED, 20mm ² PVC
20	CONVENIENCE OUTLET (R130VA)	1080 400/230				1080 20 50 1P 10		2-3.5mm ² THHN WIRE STRANDED, + 1-3.5mm ² TW (S) WIRE STRANDED, 20mm ² PVC
21	CONVENIENCE OUTLET (R130VA)	1080 400/230				1080 20 50 1P 10		2-3.5mm ² THHN WIRE STRANDED, + 1-3.5mm ² TW (S) WIRE STRANDED, 20mm ² PVC
22	CONVENIENCE OUTLET (R130VA)	540 400/230				540 20 50 1P 10		2-3.5mm ² THHN WIRE STRANDED, + 1-3.5mm ² TW (S) WIRE STRANDED, 20mm ² PVC
23	SPACE	400/230						
24	SPACE	400/230						
TOTAL		29088	9125	8971	10992	60 200 1P 10		4-14mm ² THHN WIRE STRANDED, + 1-8.0mm ² TW (S) WIRE STRANDED, 32mm ² PVC

CONNECTED LOAD = 10992 VA X 3 = 32976 VA
 IF = 32976 VA / (400 X 1.732) = 47.82 A
 DF = 30% DF (17.60) = 14.34 A
 CB = 1.15(47.82) = 54.98 A
 USE : 60A, 100A, 1P, 400V, 14MVC

IF = 1.25(47.82) = 59.78 A

USE : 4-14mm² THHN WIRE + 1-8.0mm² TW (S) WIRE IN 32mm² PVC (53.55A/TW)

SCHEDULE OF LOAD

CIR. NO.	LOAD DESCRIPTION	VA VOLTS	VA PER PHASE			BRANCH Ckt. BREAKER	SIZE OF WIRE AND CONDUIT
			AN	BN	CN		
1	LIGHTING	1182 400/230	1182			15 50 1P 10	2-3.5mm ² THHN WIRE STRANDED, + 1-3.5mm ² TW (S) WIRE STRANDED, 20mm ² PVC
2	LIGHTING	1630 400/230	1630			15 50 1P 10	2-3.5mm ² THHN WIRE STRANDED, + 1-3.5mm ² TW (S) WIRE STRANDED, 20mm ² PVC
3	LIGHTING	1237 400/230		1237		15 50 1P 10	2-3.5mm ² THHN WIRE STRANDED, + 1-3.5mm ² TW (S) WIRE STRANDED, 20mm ² PVC
4	LIGHTING	1435 400/230			1435	15 50 1P 10	2-3.5mm ² THHN WIRE STRANDED, + 1-3.5mm ² TW (S) WIRE STRANDED, 20mm ² PVC
5	LIGHTING	640 400/230				540 15 50 1P 10	2-3.5mm ² THHN WIRE STRANDED, + 1-3.5mm ² TW (S) WIRE STRANDED, 20mm ² PVC
6	CONVENIENCE OUTLET (R130VA)	1020 400/230				1080 20 50 1P 10	2-3.5mm ² THHN WIRE STRANDED, + 1-3.5mm ² TW (S) WIRE STRANDED, 20mm ² PVC
7	CONVENIENCE OUTLET (R130VA)	1620 400/230				1620 20 50 1P 10	2-3.5mm ² THHN WIRE STRANDED, + 1-3.5mm ² TW (S) WIRE STRANDED, 20mm ² PVC
8	CONVENIENCE OUTLET (R130VA)	1620 400/230				1620 20 50 1P 10	2-3.5mm ² THHN WIRE STRANDED, + 1-3.5mm ² TW (S) WIRE STRANDED, 20mm ² PVC
9	CONVENIENCE OUTLET (R130VA)	1440 400/230				1440 20 50 1P 10	2-3.5mm ² THHN WIRE STRANDED, + 1-3.5mm ² TW (S) WIRE STRANDED, 20mm ² PVC
10	CONVENIENCE OUTLET (R130VA)	1440 400/230				1440 20 50 1P 10	2-3.5mm ² THHN WIRE STRANDED, + 1-3.5mm ² TW (S) WIRE STRANDED, 20mm ² PVC
11	CONVENIENCE OUTLET (R130VA)	1680 400/230				1680 20 50 1P 10	2-3.5mm ² THHN WIRE STRANDED, + 1-3.5mm ² TW (S) WIRE STRANDED, 20mm ² PVC
12	SPECIAL PURPOSE OUTLET	1100 400/230				1100 20 50 1P 10	2-3.5mm ² THHN WIRE STRANDED, + 1-3.5mm ² TW (S) WIRE STRANDED, 20mm ² PVC
13	CONVENIENCE OUTLET (R130VA)	720 400/230				720 20 50 1P 10	2-3.5mm ² THHN WIRE STRANDED, + 1-3.5mm ² TW (S) WIRE STRANDED, 20mm ² PVC
14	CONVENIENCE OUTLET (R130VA)	1080 400/230				1080 20 50 1P 10	2-3.5mm ² THHN WIRE STRANDED, + 1-3.5mm ² TW (S) WIRE STRANDED, 20mm ² PVC
15	CONVENIENCE OUTLET (R130VA)	1080 400/230				1080 20 50 1P 10	2-3.5mm ² THHN WIRE STRANDED, + 1-3.5mm ² TW (S) WIRE STRANDED, 20mm ² PVC
16	CONVENIENCE OUTLET (R130VA)	1080 400/230				1080 20 50 1P 10	2-3.5mm ² THHN WIRE STRANDED, + 1-3.5mm ² TW (S) WIRE STRANDED, 20mm ² PVC
17	CONVENIENCE OUTLET (R130VA)	1260 400/230				1260 20 50 1P 10	2-3.5mm ² THHN WIRE STRANDED, + 1-3.5mm ² TW (S) WIRE STRANDED, 20mm ² PVC
18	CONVENIENCE OUTLET (R130VA)	1080 400/230				1080 20 50 1P 10	2-3.5mm ² THHN WIRE STRANDED, + 1-3.5mm ² TW (S) WIRE STRANDED, 20mm ² PVC
TOTAL		21948	8052	7775	7548	100 1P 10	1-8.0mm ² THHN WIRE + 1-8.0mm ² TW (S) WIRE IN 32mm ² PVC (43.55A/TW)

CONNECTED LOAD = 8052 VA X 3 = 24156 VA
 IF = 24156 VA / (400 X 1.732) = 34.87 A
 DF = 30% DF (16.86) = 13.87 A
 CB = 1.15(34.87) = 40.10 A
 USE : 60A, 100A, 1P, 400V, 14MVC

IF = 1.25(34.87) = 43.59 A

USE : 4-14mm² THHN WIRE + 1-8.0mm² TW (S) WIRE IN 32mm² PVC (43.55A/TW)

SCHEDULE OF LOAD

CIR. NO.	LOAD DESCRIPTION	VA VOLTS	VA PER PHASE			BRANCH Ckt. BREAKER	SIZE OF WIRE AND CONDUIT
			AN	BN	CN		
1	LIGHTING	1244 400/230	1244			15 50 1P 10	2-3.5mm ² THHN WIRE STRANDED, + 1-3.5mm ² TW (S) WIRE STRANDED, 20mm ² PVC
2	LIGHTING	1376 400/230	1376			15 50 1P 10	2-3.5mm ² THHN WIRE STRANDED, + 1-3.5mm ² TW (S) WIRE STRANDED, 20mm ² PVC
3	LIGHTING	1244 400/230		1244		15 50 1P 10	2-3.5mm ² THHN WIRE STRANDED, + 1-3.5mm ² TW (S) WIRE STRANDED, 20mm ² PVC
4	LIGHTING	1482 400/230			1482	15 50 1P 10	2-3.5mm ² THHN WIRE STRANDED, + 1-3.5mm ² TW (S) WIRE STRANDED, 20mm ² PVC
5	LIGHTING	660 400/230				660 15 50 1P 10	2-3.5mm ² THHN WIRE STRANDED, + 1-3.5mm ² TW (S) WIRE STRANDED, 20mm ² PVC
6	LIGHTING	1120 400/230				1120 15 50 1P 10	2-3.5mm ² THHN WIRE STRANDED, + 1-3.5mm ² TW (S) WIRE STRANDED, 20mm ² PVC
7	CONVENIENCE OUTLET (R130VA)	900 400/230				900 20 50 1P 10	2-3.5mm ² THHN WIRE STRANDED, + 1-3.5mm ² TW (S) WIRE STRANDED, 20mm ² PVC
8	CONVENIENCE OUTLET (R130VA)	1080 400/230				1080 20 50 1P 10	2-3.5mm ² THHN WIRE STRANDED, + 1-3.5mm ² TW (S) WIRE STRANDED, 20mm ² PVC
9	CONVENIENCE OUTLET (R130VA)	1080 400/230				1080 20 50 1P 10	2-3.5mm ² THHN WIRE STRANDED, + 1-3.5mm ² TW (S) WIRE STRANDED, 20mm ² PVC
10	CONVENIENCE OUTLET (R130VA)	1260 400/230				1260 20 50 1P 10	2-3.5mm ² THHN WIRE STRANDED, + 1-3.5mm ² TW (S) WIRE STRANDED, 20mm ² PVC
11	CONVENIENCE OUTLET (R130VA)	1440 400/230				1440 20 50 1P 10	2-3.5mm ² THHN WIRE STRANDED, + 1-3.5mm ² TW (S) WIRE STRANDED, 20mm ² PVC
12	CONVENIENCE OUTLET (R130VA)	1620 400/230				1620 20 50 1P 10	2-3.5mm ² THHN WIRE STRANDED, + 1-3.5mm ² TW (S) WIRE STRANDED, 20mm ² PVC
13	SPECIAL PURPOSE OUTLET	1300 400/230				1300 20 50 1P 10	2-3.5mm ² THHN WIRE STRANDED, + 1-3.5mm ² TW (S) WIRE STRANDED, 20mm ² PVC
14	CONVENIENCE OUTLET (R130VA)	1080 400/230				1080 20 50 1P 10	2-3.5mm ² THHN WIRE STRANDED, + 1-3.5mm ² TW (S) WIRE STRANDED, 20mm ² PVC
15	CONVENIENCE OUTLET (R130VA)	900 400/230				900 20 50 1P 10	2-3.5mm ² THHN WIRE STRANDED, + 1-3.5mm ² TW (S) WIRE STRANDED, 20mm ² PVC
16	CONVENIENCE OUTLET (R130VA)	900 400/230				900 20 50 1P 10	2-3.5mm ² THHN WIRE STRANDED, + 1-3.5mm ² TW (S) WIRE STRANDED, 20mm ² PVC
17	CONVENIENCE OUTLET (R130VA)	1260 400/230				1260 20 50 1P 10	2-3.5mm ² THHN WIRE STRANDED, + 1-3.5mm ² TW (S) WIRE STRANDED, 20mm ² PVC
18	CONVENIENCE OUTLET (R130VA)	1080 400/230				1080 20 50 1P 10	2-3.5mm ² THHN WIRE STRANDED, + 1-3.5mm ² TW (S) WIRE STRANDED, 20mm ² PVC
19	CONVENIENCE OUTLET (R130VA)	1080 400/230				1080 20 50 1P 10	2-3.5mm ² THHN WIRE STRANDED, + 1-3.5mm ² TW (S) WIRE STRANDED, 20mm ² PVC
20	CONVENIENCE OUTLET (R130VA)	1620 400/230				1620 20 50 1P 10	2-3.5mm ² THHN WIRE STRANDED, + 1-3.5mm ² TW (S) WIRE STRANDED, 20mm ² PVC
21	CONVENIENCE OUTLET (R130VA)	1620 400/230				1620 20 50 1P 10	2-3.5mm ² THHN WIRE STRANDED, + 1-3.5mm ² TW (S) WIRE STRANDED, 20mm ² PVC
22	CONVENIENCE OUTLET (R130VA)	1080 400/230				1080 20 50 1P 10	2-3.5mm ² THHN WIRE STRANDED, + 1-3.5mm ² TW (S) WIRE STRANDED, 20mm ² PVC
23	CONVENIENCE OUTLET (R130VA)	1080 400/230				1080 20 50 1P 10	2-3.5mm ² THHN WIRE STRANDED, + 1-3.5mm ² TW (S) WIRE STRANDED, 20mm ² PVC
24	CONVENIENCE OUTLET (R130VA)	1440 400/230				1440 20 50 1P 10	2-3.5mm ² THHN WIRE STRANDED, + 1-3.5mm ² TW (S) WIRE STRANDED, 20mm ² PVC
TOTAL		30876	9864	10227	10884	100 1P 10	1-8.0mm ² THHN WIRE + 1-8.0mm ² TW (S) WIRE IN 32mm ² PVC (53.55A/TW)

CONNECTED LOAD = 30876 VA X 3 = 92628 VA
 IF = 92628 VA / (400 X 1.732) = 133.8 A
 DF = 30% DF (44.35) = 33.26 A
 CB = 1.15(133.8) = 153.87 A
 USE : 60A, 100A, 1P, 400V, 14MVC

IF = 1.25(133.8) = 167.25 A

USE : 4-14mm² THHN WIRE + 1-8.0mm² TW (S) WIRE IN 32mm² PVC (53.55A/TW)

NOTE:
 PURSUANT TO SECTION 4 OF ANNEX 'B' OF THE REVISED REGULATIONS AND ORDINANCES OF RA 9194, APPROVAL BY THE AUTHORIZED SPEN OFFICIALS OF DESIGN ENGINEERING SERVICES AND DESIGN PROFESSIONALS DOES NOT IMPLICATE EITHER ENGINEER OR ARCHITECT FOR THE FAILURE OF THE FACILITY DUE TO FACULTY DESIGN EXCEPT FOR THE CHANGES MADE WITHOUT THE OF THE DESIGNER.

THE DESIGN CONSULTANT SHALL BE HELD FULLY RESPONSIBLE FOR THE FAILURE OF THE FACILITY DUE TO FACULTY DESIGN EXCEPT FOR THE CHANGES MADE WITHOUT THE OF THE DESIGNER.

ORVILLE R. SINGSON

ELECTRICAL DESIGN
 POSITION: ELECTRICAL ENGINEER
 PRC No. 004017778 TR No. 10-438-103
 PTR No. 722966, 01-03-18, MARICOPA CITY

 	PREPARED & SUBMITTED BY: ARNEL LAQUINANJUM PROJECT MANAGER (400) 230-1000	PREPARED BY:
------	--	--------------

GENERAL NOTES

- ALL INSTALLATION SHALL BE IN ACCORDANCE TO THE LATEST EDITION OF PHILIPPINE ELECTRICAL CODE AND REVISED FIRE CODE OF THE PHILIPPINES.
- TELEPHONE INSTALLATIONS HEREIN SHALL BE DONE IN ACCORDANCE WITH THE LATEST EDITION OF THE BUILDING TELEPHONE FACILITIES STANDARD MANUAL AND RULES AND REGULATIONS OF LOCAL TELEPHONE COMPANY AND THE CITY HAVING JURISDICTION.
- ELECTRONICS AND COMMUNICATION WORKS SHALL BE UNDER THE IMMEDIATE SUPERVISION OF A DULY LICENSED REGISTERED ELECTRONICS AND COMMUNICATION ENGINEER.
- WIRING SYSTEM INSTALLATION SHALL BE DONE IN POLYVINYL CHLORIDE (uPVC) CONDUIT, SCHEDULE 40. MINIMUM SIZE FOR uPVC SHALL BE 20mm DIAMETER ELECTRICAL TRADE SIZE. WHERE IN CONDUIT MAY BE SUBJECT MECHANICAL DAMAGE, ELECTRICAL METAL TUBING (EMT) COMPRESSION TYPE SHALL BE USED,
- THE CONTRACTOR SHALL VERIFY AND ORIENT ACTUAL LOCATION OF SERVICE ENTRANCE CONNECTION TO THE AUXILIARY SYSTEM ENTRANCE FOR CONNECTION TO LOCAL UTILITY COMPANIES.
- ALL PIPE SLEEVES SHALL BE PROVIDED WITH PROPER SUPPORT OR ANCHORAGE NECESSARY FOR PERMANENT CONNECTION WITH CONCRETE WALLING OR BEAM.
- CONTRACTOR SHALL BE RESPONSIBLE TO CONSULT, COORDINATE, SECURE AND PAY ALL FEES NECESSARY FOR THE TELEPHONE CONNECTION OF THIS PROJECT.
- ANY DISCREPANCY IN LOCATION AND RATINGS OF EQUIPMENT AND APPARATUS SHALL BE VERIFIED WITH THE OWNER/ENGINEER OR ANY OF HIS REPRESENTATIVES SO CHANGES SHALL BE MADE ACCORDINGLY.
- ALL MATERIALS TO BE USED AND EQUIPMENT TO BE INSTALLED SHALL BE BRAND NEW AND MUST BE OF THE APPROVED TYPE FOR THE PARTICULAR LOCATION AND PURPOSE INTENDED UNLESS OTHERWISE INDICATED.
- THE MOUNTING HEIGHTS OF WIRING DEVICES SHALL BE AS FOLLOWS:

TELEPHONE & DATA OUTLETS.....	0.3m ABOVE FLOOR FINISH OR AS REQUIRED
PANELS & CABINETS.....	1.4m ABOVE FLOOR FINISH AT CENTER OR AS REQUIRED

ALL WIRING DEVICES PLATE COVER SHALL BE SUBJECT TO THE ARCHITECT'S APPROVAL PRIOR TO INSTALLATION.
- PANELS AND CABINETS SHALL BE OF STANDARD GA 16, WITH CONTINUOUS HINGE AND PUSH-LOCK TYPE LOCK.
- PROVIDE PULL WIRES GA.14(MIN) IN ALL EMPTY CONDUITS.
- JUNCTION, PULLBOXES AND METAL ENCLOSURES SHALL BE GAUGE 16 FOR INDOOR AND GAUGE 14 STEEL SHEET WEATHERPROOF (NEMA 3R) TYPE FOR EXTERIOR INSTALLATION UNLESS OTHERWISE INDICATED TO BE STAINLESS STEEL NEMA 4X TYPE.
- CONTRACTOR SHALL BE RESPONSIBLE TO CONSULT AND COORDINATE AND MAKE NECESSARY CORRECTION FOR THE DESIGN APPROVAL FROM THE BUILDING INDUSTRY CONSULTING SERVICE (BICS) PRIOR TO INSTALLATION.
- DETAILS ARE FOR REFERENCE ONLY. CONTRACTOR TO PROVIDE SHOP DRAWING FOR APPROVAL

LEGEND

LEGENDS	DESCRIPTION
	UNIVERSAL INFORMATION OUTLET, DUAL PORT (VOICE & DATA) FLOOR MOUNTED
	UNIVERSAL INFORMATION OUTLET SINGLE PORT FLOOR MOUNTED (VOICE)
	UNIVERSAL INFORMATION OUTLET SINGLE PORT FLOOR MOUNTED (DATA)
	WIRELESS ACCESS POINT (WAP) CEILING MOUNTED
	UNIVERSAL INFORMATION OUTLET, DUAL PORT (VOICE & DATA) WALL MOUNTED
	UNIVERSAL INFORMATION OUTLET, SINGLE PORT (VOICE) WALL MOUNTED
	UNIVERSAL INFORMATION OUTLET, SINGLE PORT (DATA) WALL MOUNTED
	INTERMEDIATE DISTRIBUTION FRAME
	MAIN DISTRIBUTION FRAME

DRAWING INDEX

SHEET NO.	SHEET CONTENT
EC-01	LEGEND, GENERAL NOTES & DRAWING INDEX
EC-02	REVISED NETWORK CABLING RISER DIAGRAM
EC-03	REVISED GROUND FLOOR NETWORK CABLING LAYOUT
EC-04	REVISED SECOND FLOOR NETWORK CABLING LAYOUT
EC-05	REVISED THIRD FLOOR NETWORK CABLING LAYOUT
EC-06	REVISED FOURTH FLOOR NETWORK CABLING LAYOUT
EC-07	REVISED FIFTH FLOOR NETWORK CABLING LAYOUT
EC-08	REVISED SIXTH FLOOR NETWORK CABLING LAYOUT
EC-09	MISCELLANEOUS DETAILS

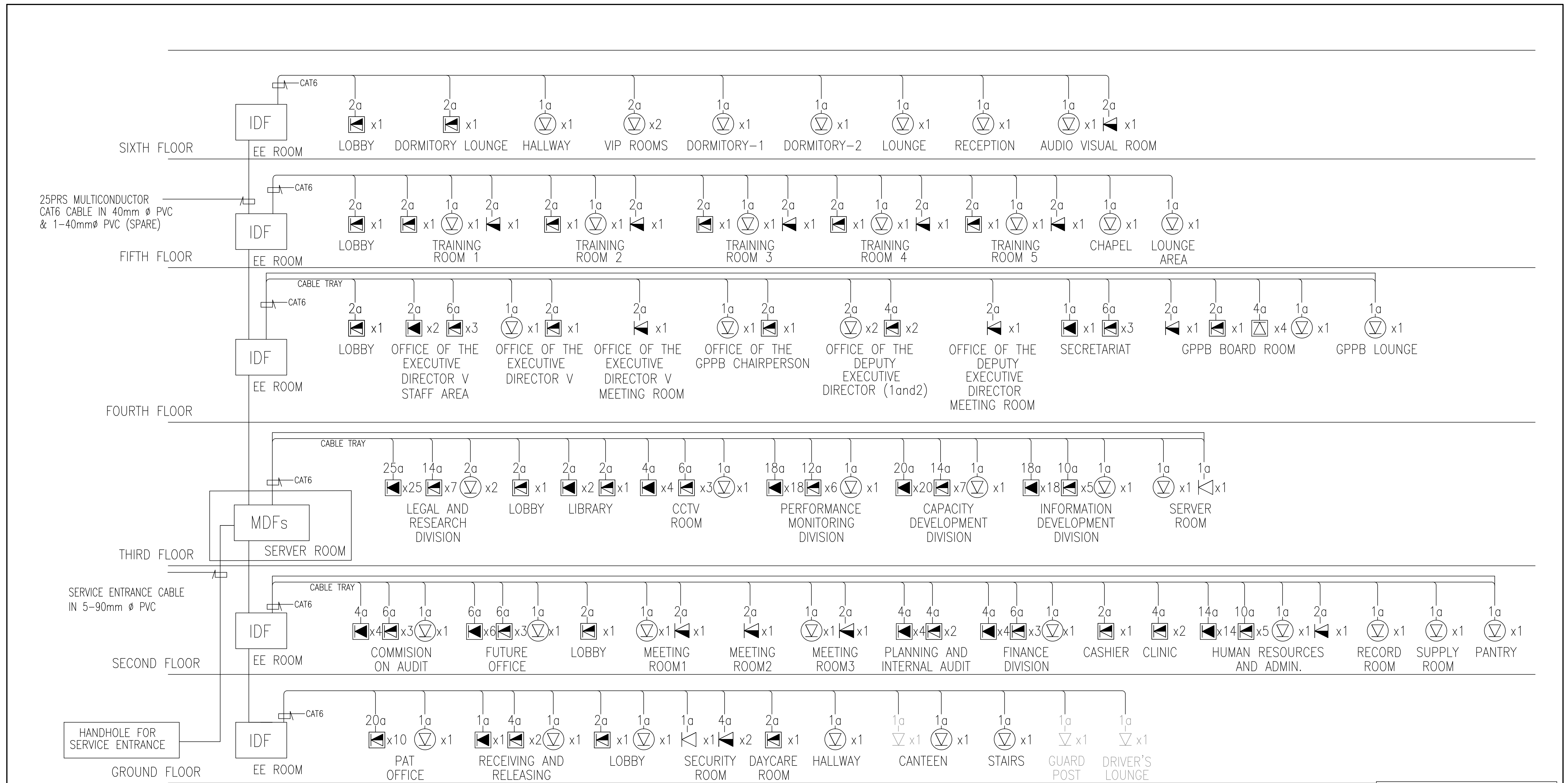
1 LEGENDS, GENERAL NOTES AND DRAWING INDEX
ECE-1 NTS

NOTE:
PURSUANT TO SECTION 4 OF ANNEX "A" OF THE REVISED IMPLEMENTING RULES AND REGULATION OF R.A. 9184, APPROVAL BY THE AUTHORIZED DPWH OFFICIALS OF DETAILED ENGINEERING SURVEYS AND DESIGN UNDERTAKEN BY CONSULTANTS NEITHER DIMINISHES THE RESPONSIBILITY OF THE LATTER FOR THE TECHNICAL INTEGRITY OF THE SURVEYS AND DESIGN NOR TRANSFER ANY PART OF THAT RESPONSIBILITY TO THE APPROVING OFFICIALS.

THE DESIGN CONSULTANT SHALL BE HELD FULLY RESPONSIBLE FOR THE FAILURE OF THE FACILITY/ES/STRUCTURES DUE TO FAULTY DESIGN EXCEPT FOR THE CHANGES MADE WITHOUT THE CONFORMITY OF THE CONSULTANTS.

ORVILLE R. SINGSON
ELECTRICAL DESIGN
POSITION: ELECTRICAL ENGINEER
PRC No.: 0004017PTR TIN No.: 155-838-103
PTR No.: 7222893, 01-03-18, MARIKINA CITY

 	REVIEWED & SUBMITTED BY: ARNULFO C. HERMOGENO PRC No. 0000196 PTR No. 7126685 PLACE ISSUED: MAKATI CITY TIN No. 7126685 DATE: 10-09-18	PREPARED: DELWYN C. BALCOS PROJECT MANAGER DLCCC/WDCD DATE:	PROJECT NAME AND LOCATION: PROPOSED SEVEN (7)-STOREY GOVERNMENT PROCUREMENT POLICY BOARD TECHNICAL SUPPORT OFFICE (GPPB-TSO) BUILDING UP DILIMAN COMPOUND, DILIMAN, QUEZON CITY	SHEET CONTENTS: LEGENDS, GENERAL NOTES AND DRAWING INDEX	 REPUBLIC OF THE PHILIPPINES DEPARTMENT OF PUBLIC WORKS AND HIGHWAYS Unified Project Management Office Buildings and Special Projects Management Office 2nd Street DPWH-NCR Compound Port Area Manila	CHECKED: VICTOR H. BADILLO PROJECT ENGINEER BSPMC-UPMO DATE:	SUBMITTED: ANGELINA B. MELCHOR PROJECT MANAGER III BSPMC-UPMO DATE:	REVIEWED: ERIBERTO B. SIOSON CHIEF, BUILDINGS DIVISION BUREAU OF DESIGN DATE:	RECOMMENDED: SOLEDAD R. FLORENCIO PROJECT DIRECTOR BSPMC-UPMO DATE:	EDWIN C. MATANGUIHAN OIC - DIRECTOR BUREAU OF DESIGN DATE:	MAXIMO L. CARVAJAL UNDERSECRETARY FOR TECHNICAL SERVICES DATE:	SET NO. ECE 1 8	SHEET NO. 1 8
------	---	--	---	---	--	---	--	--	--	--	---	--------------------------------	----------------------------



LEGENDS	DESCRIPTION
	UNIVERSAL INFORMATION OUTLET, DUAL PORT (VOICE & DATA) FLOOR MOUNTED
	UNIVERSAL INFORMATION OUTLET SINGLE PORT FLOOR MOUNTED (VOICE)
	UNIVERSAL INFORMATION OUTLET SINGLE PORT FLOOR MOUNTED (DATA)
	WIRELESS ACCESS POINT (WAP) CEILING MOUNTED
	UNIVERSAL INFORMATION OUTLET, DUAL PORT (VOICE & DATA) WALL MOUNTED
	UNIVERSAL INFORMATION OUTLET, SINGLE PORT (VOICE) WALL MOUNTED
	UNIVERSAL INFORMATION OUTLET, SINGLE PORT (DATA) WALL MOUNTED
	INTERMEDIATE DISTRIBUTION FRAME
	MAIN DISTRIBUTION FRAME

CONDUIT SIZE	25mmØC	32mmØC	40mmØC
#24 AWG CAT 6	2-4	5-6	7-10

1 **REVISED NETWORK CABLING RISER DIAGRAM**
ECE-2 NTS

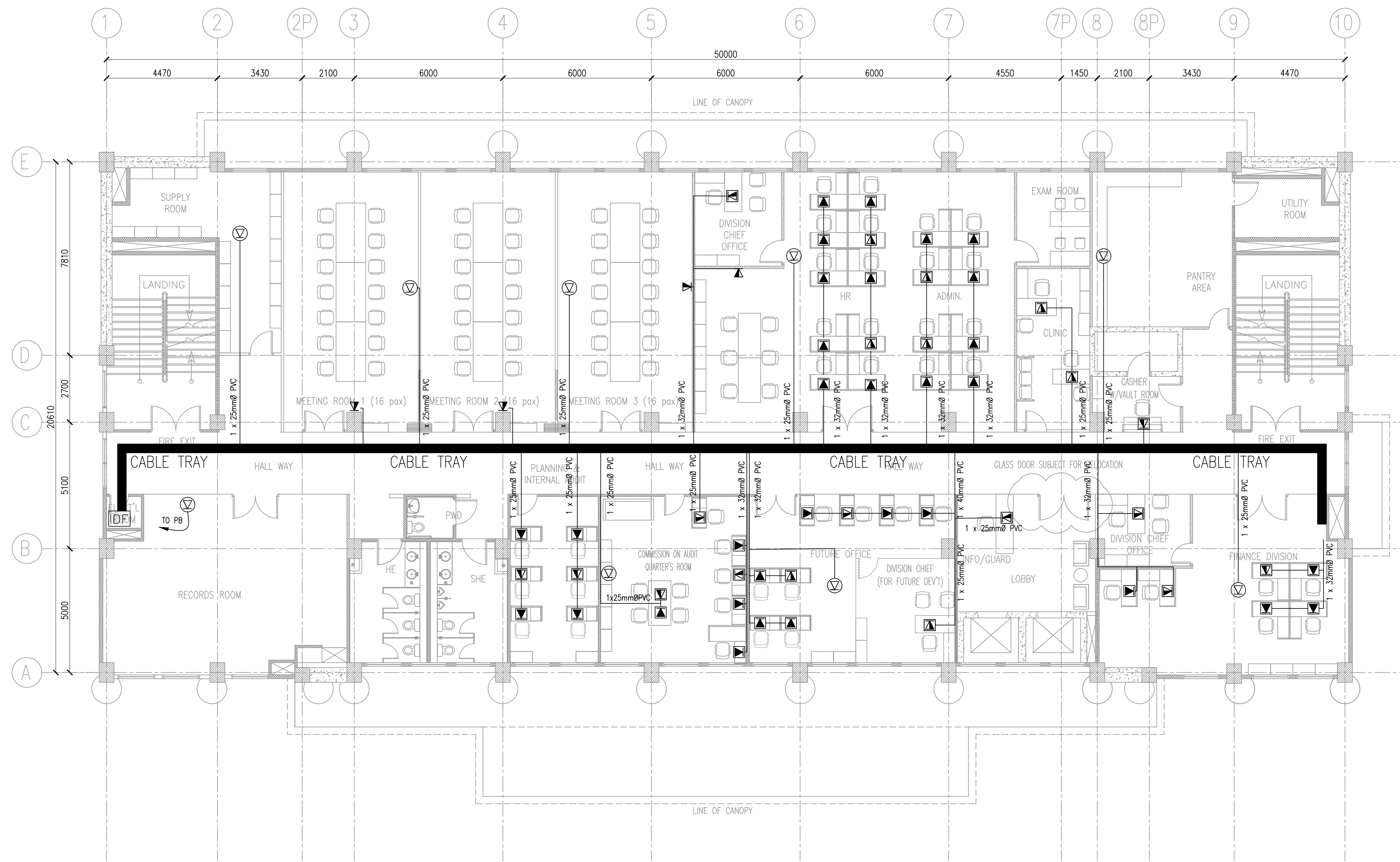
NOTE	DESCRIPTION
	HIGHLIGHTED OUTLETS ARE UNDER REVISE PLANS
	NOT HIGHLIGHTED OUTLETS ARE UNDER ORIGINAL PLANS

NOTE:
PURSUANT TO SECTION 4 OF ANNEX "A" OF THE REVISED IMPLEMENTING RULES AND REGULATION OF R.A. 9184, APPROVAL BY THE AUTHORIZED DPWH OFFICIALS OF DETAILED ENGINEERING SURVEYS AND DESIGN UNDERTAKEN BY CONSULTANTS NEITHER DIMINISHES THE RESPONSIBILITY OF THE LATTER FOR THE TECHNICAL INTEGRITY OF THE SURVEYS AND DESIGN NOR TRANSFER ANY PART OF THAT RESPONSIBILITY TO THE APPROVING OFFICIALS.

THE DESIGN CONSULTANT SHALL BE HELD FULLY RESPONSIBLE FOR THE FAILURE OF THE FACILITY/ES/STRUCTURES DUE TO FAULTY DESIGN EXCEPT FOR THE CHANGES MADE WITHOUT THE CONFORMITY OF THE CONSULTANTS.

ORVILLE R. SINGSON
ELECTRICAL DESIGN
POSITION: ELECTRICAL ENGINEER
PRC No.: 0004017PTR TIN No.: 155-838-103
PTR No.: 7222893, 01-03-18, MARIKINA CITY

 	REVIEWED & SUBMITTED BY: ARNULFO C. HERMOGENO <small>PRC No. 0000196 PTR No. 7125685 PLACE ISSUED: MAKATI CITY TIN No. 7125685 DATE: 10-09-18</small>	PREPARED BY: DELWYN C. BALCOS <small>PROJECT MANAGER DLCCC/WCCC</small>	PROJECT NAME AND LOCATION: PROPOSED SEVEN (7)-STOREY GOVERNMENT PROCUREMENT POLICY BOARD TECHNICAL SUPPORT OFFICE (GPPB-TSO) BUILDING UP DILIMAN COMPOUND, DILIMAN, QUEZON CITY	SHEET CONTENTS: REVISED NETWORK CABLING RISER DIAGRAM	 REPUBLIC OF THE PHILIPPINES DEPARTMENT OF PUBLIC WORKS AND HIGHWAYS Unified Project Management Office Buildings and Special Projects Management Office 2nd Street DPWH-NCR Compound Port Area Manila	CHECKED: VICTOR H. BADILLO <small>PROJECT ENGINEER BSPMC-UPMO</small>	SUBMITTED: ANGELINA B. MELCHOR <small>PROJECT MANAGER III BSPMC-UPMO</small>	REVIEWED: ERIBERTO B. SIOSON <small>CHIEF, BUILDINGS DIVISION BUREAU OF DESIGN</small>	RECOMMENDED: SOLEDAD R. FLORENCIO <small>PROJECT DIRECTOR BSPMC-UPMO</small>	EDWIN C. MATANGUIHAN <small>OIC - DIRECTOR BUREAU OF DESIGN</small>	APPROVED: MAXIMO L. CARVAJAL <small>UNDERSECRETARY FOR TECHNICAL SERVICES</small>	SET NO. ECE 2 / 8	SHEET NO. 2 / 8
	DATE: _____ DATE: _____ DATE: _____ DATE: _____ DATE: _____ DATE: _____												



LEGENDS	DESCRIPTION
	UNIVERSAL INFORMATION OUTLET, DUAL PORT (VOICE & DATA) FLOOR MOUNTED
	UNIVERSAL INFORMATION OUTLET SINGLE PORT FLOOR MOUNTED (VOICE)
	UNIVERSAL INFORMATION OUTLET SINGLE PORT FLOOR MOUNTED (DATA)
	WIRELESS ACCESS POINT (WAP) CEILING MOUNTED
	UNIVERSAL INFORMATION OUTLET, DUAL PORT (VOICE & DATA) WALL MOUNTED
	UNIVERSAL INFORMATION OUTLET, SINGLE PORT (VOICE) WALL MOUNTED
	UNIVERSAL INFORMATION OUTLET, SINGLE PORT (DATA) WALL MOUNTED
	INTERMEDIATE DISTRIBUTION FRAME

CONDUIT SIZE	25mmØC	32mmØC	40mmØC
#24 AWG	2-4	5-6	7-10
CAT 6			

1
ECE-4
REVISED SECOND FLOOR PLAN
SCALE: 200 MTS

NOTE:
PURSUANT TO SECTION 4 OF ANNEX "A" OF THE REVISED IMPLEMENTING RULES AND REGULATION OF R.A. 9184, APPROVAL BY THE AUTHORIZED DPWH OFFICIALS OF DETAILED ENGINEERING SURVEYS AND DESIGN UNDERTAKEN BY CONSULTANTS NEITHER DIMINISHES THE RESPONSIBILITY OF THE LATTER FOR THE TECHNICAL INTEGRITY OF THE SURVEYS AND DESIGN NOR TRANSFER ANY PART OF THAT RESPONSIBILITY TO THE APPROVING OFFICIALS.

THE DESIGN CONSULTANT SHALL BE HELD FULLY RESPONSIBLE FOR THE FAILURE OF THE FACILITY/ES/STRUCTURES DUE TO FAULTY DESIGN EXCEPT FOR THE CHANGES MADE WITHOUT THE CONFORMITY OF THE CONSULTANTS.

ORVILLE R. SINGSON
ELECTRICAL DESIGN
POSITION: ELECTRICAL ENGINEER
PRC No.: 0004017PTR TIN No.: 155-838-103
PTR No.: 7222893, 01-03-18, MARIKINA CITY



REVIEWED & SUBMITTED BY:
ARNULFO C. HERMOGENO
PROJECT MANAGER
BLGCC/WDC
PRC NO. 0000196
PTR NO. 7125685
PLACE ISSUED: MAKATI CITY
TIN NO. 7125685
DATE: 10-09-18

PREPARED BY:
DELWYN C. BALCOS
PROJECT MANAGER
BLGCC/WDC
DATE:

PROJECT NAME AND LOCATION:
PROPOSED SEVEN (7)-STOREY GOVERNMENT PROCUREMENT POLICY BOARD TECHNICAL SUPPORT OFFICE (GPPB-TSO) BUILDING
UP DILIMAN COMPOUND, DILIMAN, QUEZON CITY

SHEET CONTENTS:
REVISED SECOND FLOOR PLAN



CHECKED BY:
VICTOR H. BADILLO
PROJECT ENGINEER
BSPMC-UPMO
DATE:

SUBMITTED BY:
ANGELINA B. MELCHOR
PROJECT MANAGER III
BSPMC-UPMO
DATE:

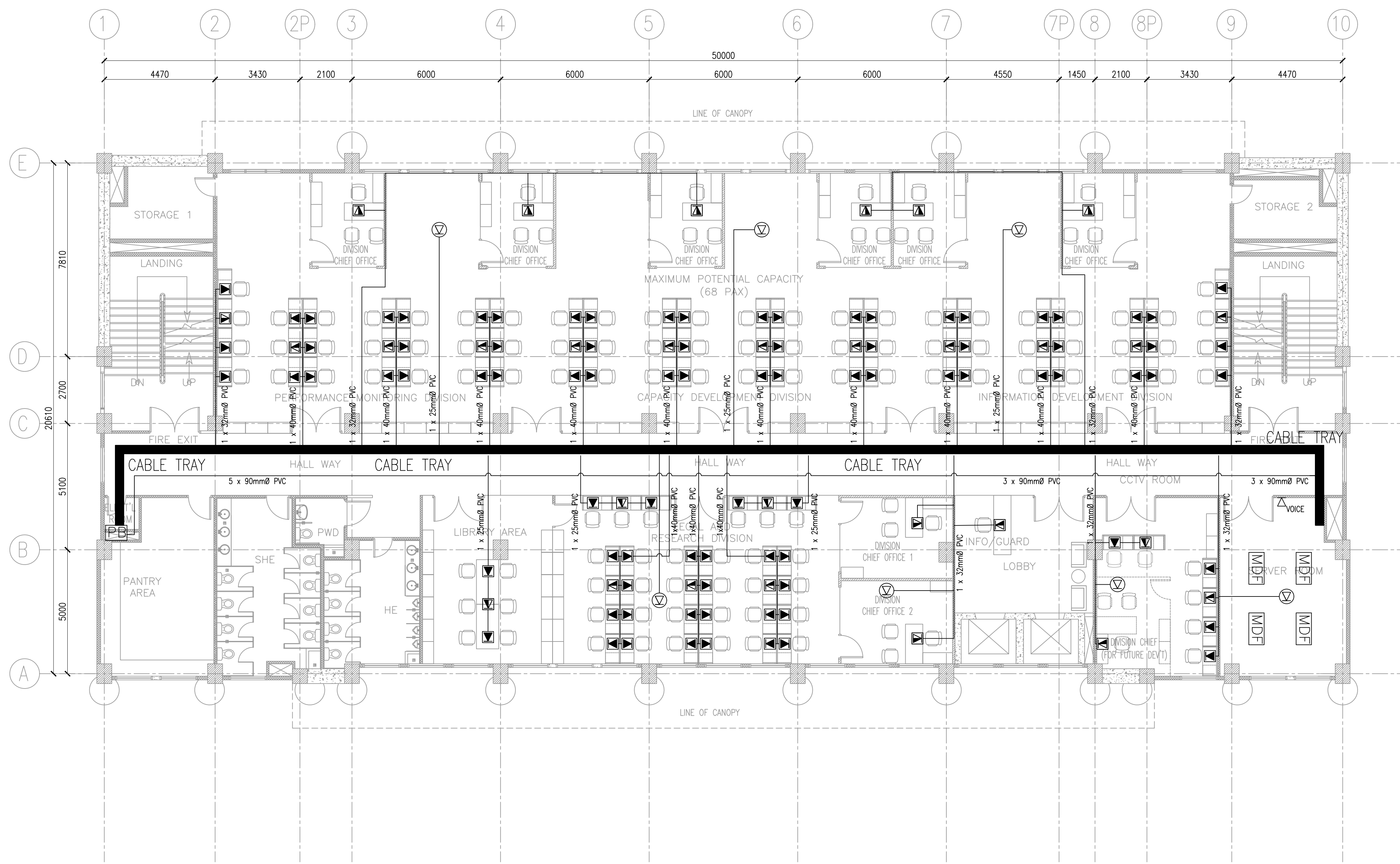
REVIEWED BY:
ERIBERTO B. SIOSON
CHIEF, BUILDINGS DIVISION
BUREAU OF DESIGN
DATE:

RECOMMENDED BY:
SOLEDAD R. FLORENCIO
PROJECT DIRECTOR
BSPMC-UPMO
DATE:

APPROVED BY:
EDWIN C. MATANGUIHAN
OIC - DIRECTOR
BUREAU OF DESIGN
DATE:

APPROVED BY:
MAXIMO L. CARVAJAL
UNDERSECRETARY FOR TECHNICAL SERVICES
DATE:

SET NO.	SHEET NO.
ECE	4
4	8



LEGENDS	DESCRIPTION
	UNIVERSAL INFORMATION OUTLET, DUAL PORT (VOICE & DATA) FLOOR MOUNTED
	UNIVERSAL INFORMATION OUTLET SINGLE PORT FLOOR MOUNTED (VOICE)
	UNIVERSAL INFORMATION OUTLET SINGLE PORT FLOOR MOUNTED (DATA)
	WIRELESS ACCESS POINT (WAP) CEILING MOUNTED
	UNIVERSAL INFORMATION OUTLET, DUAL PORT (VOICE & DATA) WALL MOUNTED
	UNIVERSAL INFORMATION OUTLET, SINGLE PORT (VOICE) WALL MOUNTED
	UNIVERSAL INFORMATION OUTLET, SINGLE PORT (DATA) WALL MOUNTED
	INTERMEDIATE DISTRIBUTION FRAME
	MAIN DISTRIBUTION FRAME

CONDUIT SIZE	25mmØC	32mmØC	40mmØC
#24 AWG CAT 6	2-4	5-6	7-10

1
REVISED THIRD FLOOR PLAN
 SCALE: 200 MTS

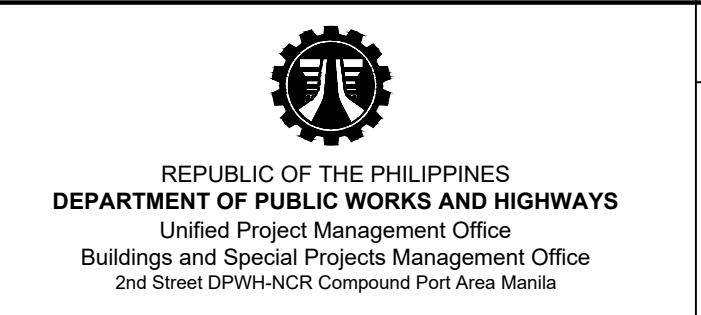
NOTE:
 PURSUANT TO SECTION 4 OF ANNEX "A" OF THE REVISED IMPLEMENTING RULES AND REGULATION OF R.A. 9184, APPROVAL BY THE AUTHORIZED DPWH OFFICIALS OF DETAILED ENGINEERING SURVEYS AND DESIGN UNDERTAKEN BY CONSULTANTS NEITHER DIMINISHES THE RESPONSIBILITY OF THE LATTER FOR THE TECHNICAL INTEGRITY OF THE SURVEYS AND DESIGN NOR TRANSFER ANY PART OF THAT RESPONSIBILITY TO THE APPROVING OFFICIALS.

THE DESIGN CONSULTANT SHALL BE HELD FULLY RESPONSIBLE FOR THE FAILURE OF THE FACILITY/IES/STRUCTURES DUE TO FAULTY DESIGN EXCEPT FOR THE CHANGES MADE WITHOUT THE CONFORMITY OF THE CONSULTANTS.

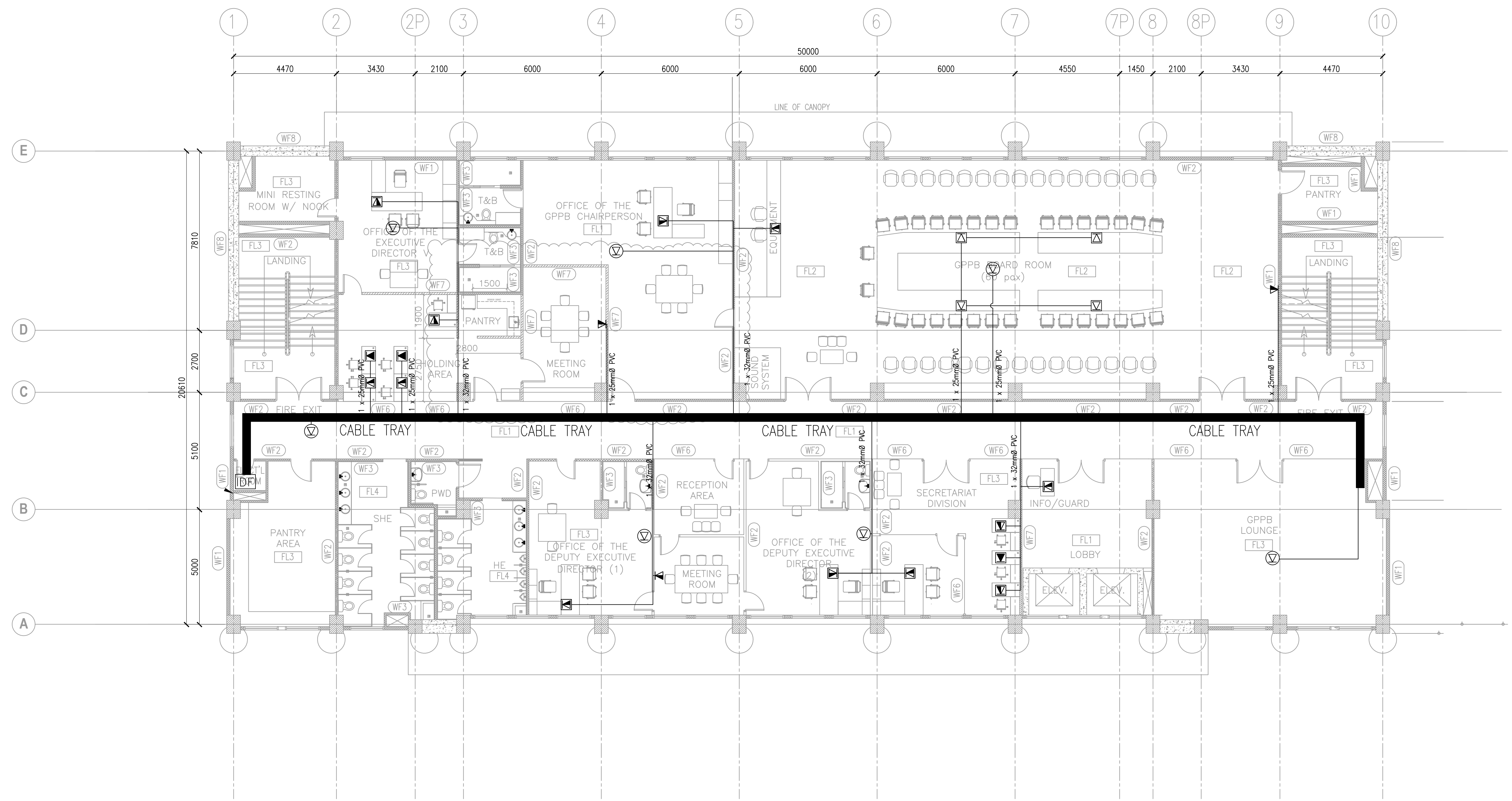
ORVILLE R. SINGSON
 ELECTRICAL DESIGN
 POSITION: ELECTRICAL ENGINEER
 PRC No.: 0004017PTR TIN No.: 155-838-103
 PTR No.: 7222893, 01-03-18, MARIKINA CITY



REVIEWED & SUBMITTED BY: ARNULFO C. HERMOGENO <small>PRC No. 0000196 PTR No. 7125685 PLACE ISSUED: MAKATI CITY TIN No. 7125685 DATE: 10-09-18</small>	PREPARED: DELWYN C. BALCOS <small>PROJECT MANAGER DLCCC/WDC</small> DATE:	PROJECT NAME AND LOCATION: PROPOSED SEVEN (7)-STOREY GOVERNMENT PROCUREMENT POLICY BOARD TECHNICAL SUPPORT OFFICE (GPPB-TSO) BUILDING UP DILIMAN COMPOUND, DILIMAN, QUEZON CITY	SHEET CONTENTS: REVISED THIRD FLOOR PLAN
--	---	---	---



CHECKED: VICTOR H. BADILLO <small>PROJECT ENGINEER BSPMC-UPMO</small> DATE:	SUBMITTED: ANGELINA B. MELCHOR <small>PROJECT MANAGER III BSPMC-UPMO</small> DATE:	REVIEWED: ERIBERTO B. SIOSON <small>CHIEF, BUILDINGS DIVISION BUREAU OF DESIGN</small> DATE:	RECOMMENDED: SOLEDAD R. FLORENCIO <small>PROJECT DIRECTOR BSPMC-UPMO</small> DATE:	APPROVED: EDWIN C. MATANGUIHAN <small>OIC - DIRECTOR BUREAU OF DESIGN</small> DATE:	APPROVED: MAXIMO L. CARVAJAL <small>UNDERSECRETARY FOR TECHNICAL SERVICES</small> DATE:	SET NO. ECE 5 8	SHEET NO. 5 8
---	--	--	--	---	---	------------------------------	----------------------------



LEGENDS	DESCRIPTION
	UNIVERSAL INFORMATION OUTLET, DUAL PORT (VOICE & DATA) FLOOR MOUNTED
	UNIVERSAL INFORMATION OUTLET SINGLE PORT FLOOR MOUNTED (VOICE)
	UNIVERSAL INFORMATION OUTLET SINGLE PORT FLOOR MOUNTED (DATA)
	WIRELESS ACCESS POINT (WAP) CEILING MOUNTED
	UNIVERSAL INFORMATION OUTLET, DUAL PORT (VOICE & DATA) WALL MOUNTED
	UNIVERSAL INFORMATION OUTLET, SINGLE PORT (VOICE) WALL MOUNTED
	UNIVERSAL INFORMATION OUTLET, SINGLE PORT (DATA) WALL MOUNTED
	INTERMEDIATE DISTRIBUTION FRAME

CONDUIT SIZE	25mmØC	32mmØC	40mmØC
#24 AWG	2-4	5-6	7-10
CAT 6			

1
ECE-6
REVISED FOURTH FLOOR PLAN
SCALE: 200 MTS

NOTE:
PURSUANT TO SECTION 4 OF ANNEX "A" OF THE REVISED IMPLEMENTING RULES AND REGULATION OF R.A. 9184, APPROVAL BY THE AUTHORIZED DPWH OFFICIALS OF DETAILED ENGINEERING SURVEYS AND DESIGN UNDERTAKEN BY CONSULTANTS NEITHER DIMINISHES THE RESPONSIBILITY OF THE LATTER FOR THE TECHNICAL INTEGRITY OF THE SURVEYS AND DESIGN NOR TRANSFER ANY PART OF THAT RESPONSIBILITY TO THE APPROVING OFFICIALS.

THE DESIGN CONSULTANT SHALL BE HELD FULLY RESPONSIBLE FOR THE FAILURE OF THE FACILITY/ES/STRUCTURES DUE TO FAULTY DESIGN EXCEPT FOR THE CHANGES MADE WITHOUT THE CONFORMITY OF THE CONSULTANTS.

ORVILLE R. SINGSON
ELECTRICAL DESIGN
POSITION: ELECTRICAL ENGINEER
PRC No.: 0004017PTR TIN No.: 155-838-103
PTR No.: 7222893, 01-03-18, MARIKINA CITY

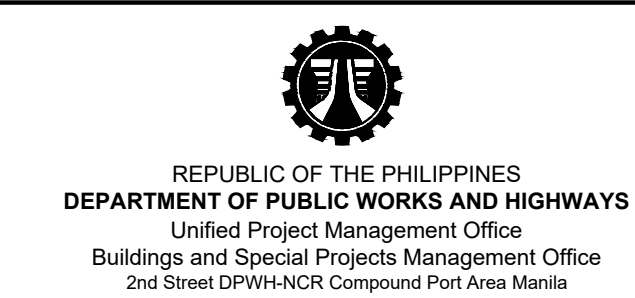


REVIEWED & SUBMITTED BY:
ARNULFO C. HERMOGENO
PROJECT MANAGER
DLCC/WDC
PRC NO. 0000196
PTR NO. 7126685
PLACE ISSUED: MAKATI CITY
TIN NO. 7126685
DATE: 10-09-18

PREPARED BY:
DELWYN C. BALCOS
PROJECT MANAGER
DLCC/WDC
DATE:

PROJECT NAME AND LOCATION:
PROPOSED SEVEN (7)-STOREY GOVERNMENT PROCUREMENT POLICY BOARD TECHNICAL SUPPORT OFFICE (GPPB-TSO) BUILDING
UP DILIMAN COMPOUND, DILIMAN, QUEZON CITY

SHEET CONTENTS:
REVISED FOURTH FLOOR PLAN



CHECKED BY:
VICTOR H. BADILLO
PROJECT ENGINEER
BSPMC-UPMO
DATE:

SUBMITTED BY:
ANGELINA B. MELCHOR
PROJECT MANAGER III
BSPMC-UPMO
DATE:

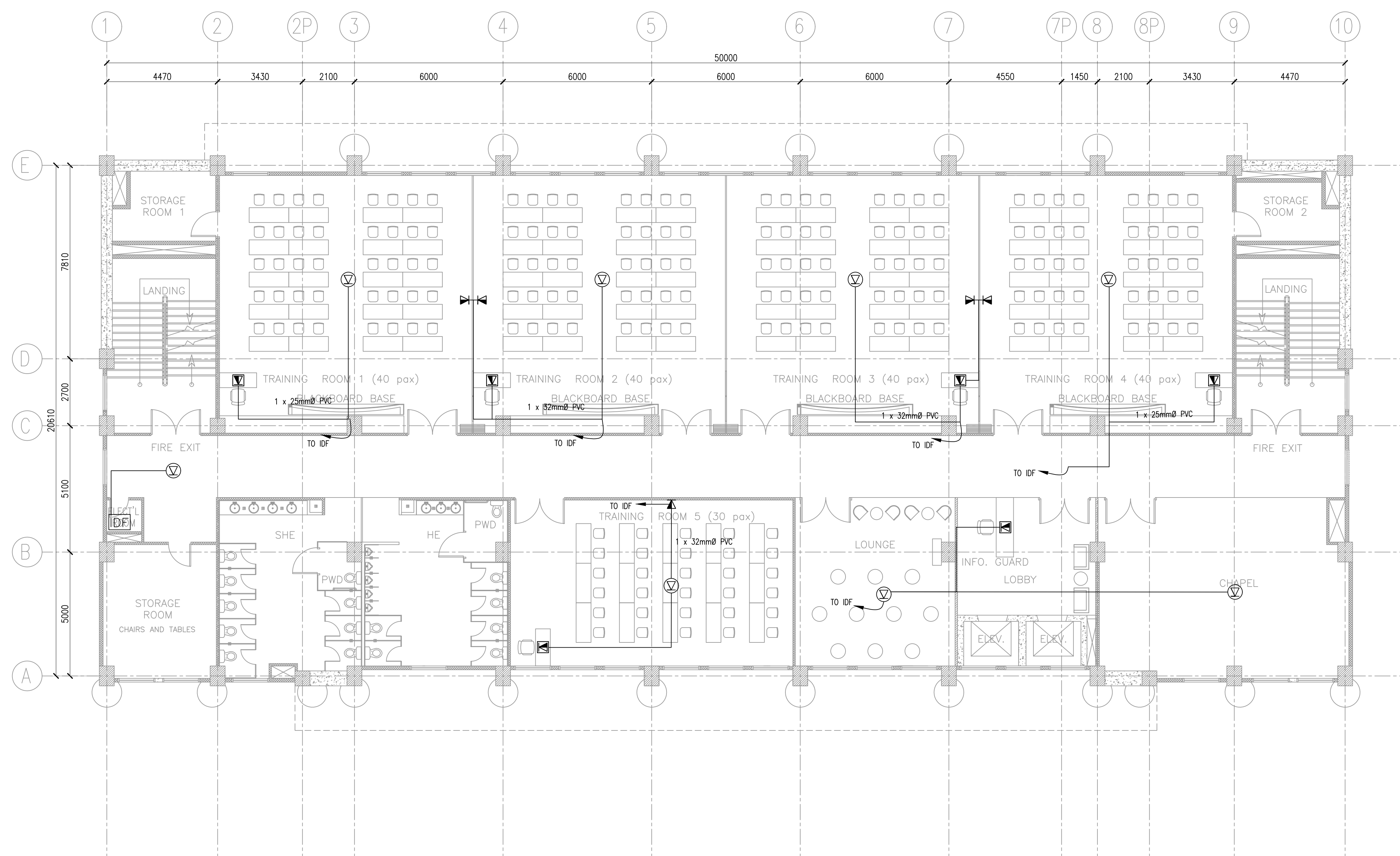
REVIEWED BY:
ERIBERTO B. SIOSON
CHIEF, BUILDINGS DIVISION
BUREAU OF DESIGN
DATE:

RECOMMENDED BY:
SOLEDAD R. FLORENCIO
PROJECT DIRECTOR
BSPMC-UPMO
DATE:

APPROVED BY:
EDWIN C. MATANGUIHAN
OIC - DIRECTOR
BUREAU OF DESIGN
DATE:

APPROVED BY:
MAXIMO L. CARVAJAL
UNDERSECRETARY FOR TECHNICAL SERVICES
DATE:

SET NO. **ECE** SHEET NO. **6**
6 8 **8**



1 REVISED FIFTH FLOOR PLAN
 ECE-7 SCALE: 200 MTS

LEGENDS	DESCRIPTION
⊕	UNIVERSAL INFORMATION OUTLET, DUAL PORT (VOICE & DATA) FLOOR MOUNTED
⊖	UNIVERSAL INFORMATION OUTLET SINGLE PORT FLOOR MOUNTED (VOICE)
⊕	UNIVERSAL INFORMATION OUTLET SINGLE PORT FLOOR MOUNTED (DATA)
⊕	WIRELESS ACCESS POINT (WAP) CEILING MOUNTED
⊖	UNIVERSAL INFORMATION OUTLET, DUAL PORT (VOICE & DATA) WALL MOUNTED
⊖	UNIVERSAL INFORMATION OUTLET, SINGLE PORT (VOICE) WALL MOUNTED
⊖	UNIVERSAL INFORMATION OUTLET, SINGLE PORT (DATA) WALL MOUNTED
IDF	INTERMEDIATE DISTRIBUTION FRAME

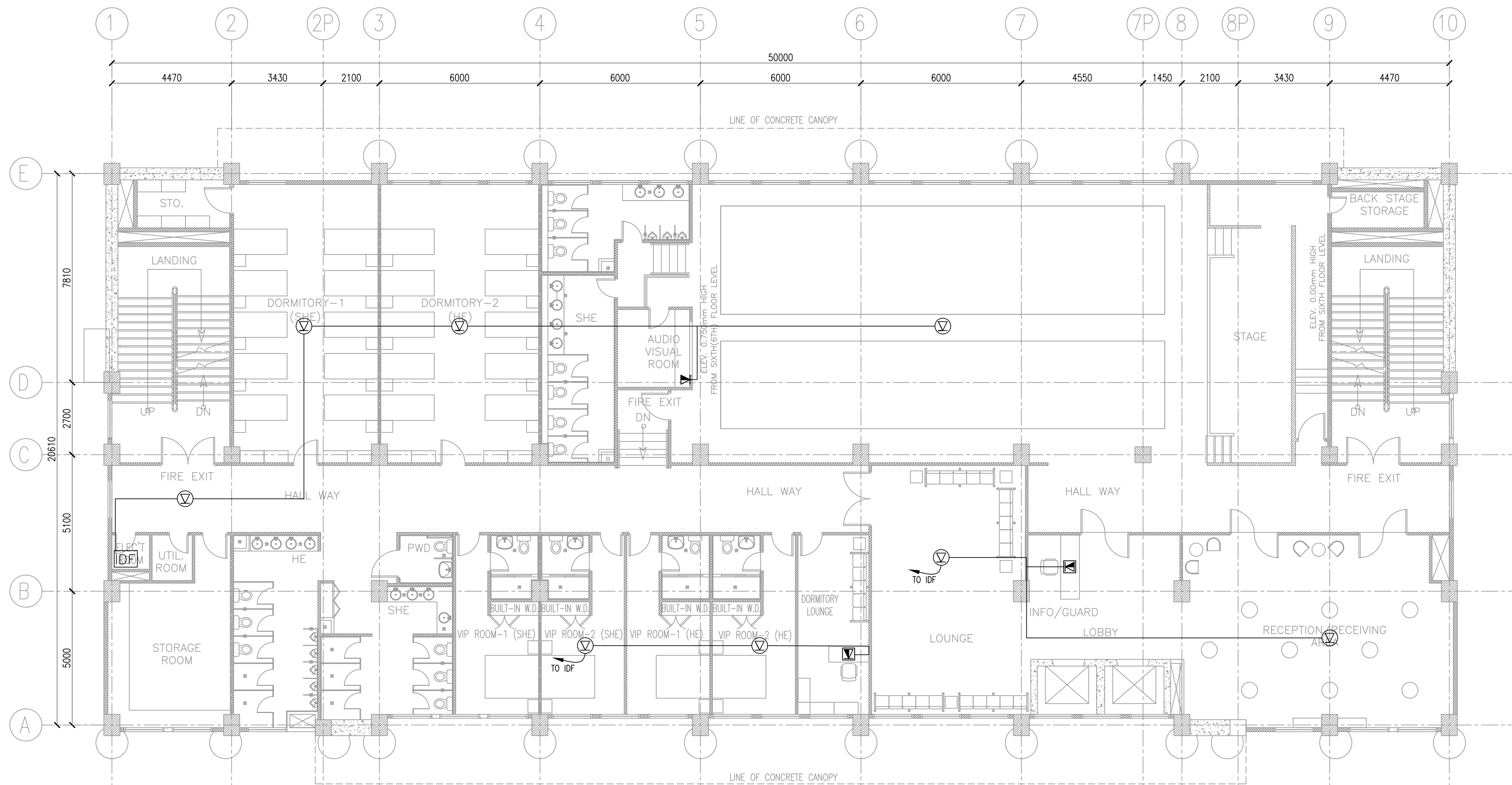
CONDUIT SIZE	25mmØC	32mmØC	40mmØC
#24 AWG CAT 6	2-4	5-6	7-10

NOTE:
 PURSUANT TO SECTION 4 OF ANNEX "A" OF THE REVISED IMPLEMENTING RULES AND REGULATION OF R.A. 9184, APPROVAL BY THE AUTHORIZED DPWH OFFICIALS OF DETAILED ENGINEERING SURVEYS AND DESIGN UNDERTAKEN BY CONSULTANTS NEITHER DIMINISHES THE RESPONSIBILITY OF THE LATTER FOR THE TECHNICAL INTEGRITY OF THE SURVEYS AND DESIGN NOR TRANSFER ANY PART OF THAT RESPONSIBILITY TO THE APPROVING OFFICIALS.

THE DESIGN CONSULTANT SHALL BE HELD FULLY RESPONSIBLE FOR THE FAILURE OF THE FACILITY/ES/STRUCTURES DUE TO FAULTY DESIGN EXCEPT FOR THE CHANGES MADE WITHOUT THE CONFORMITY OF THE CONSULTANTS.

ORVILLE R. SINGSON
 ELECTRICAL DESIGN
 POSITION: ELECTRICAL ENGINEER
 PRC No.: 0004017PTR TIN No.: 155-838-103
 PTR No.: 7222893, 01-03-18, MARIKINA CITY

 	REVIEWED & SUBMITTED BY: ARNULFO C. HERMOGENO <small>PRC No. 0000196 PTR No. 7126685 PLACE ISSUED: MAKATI CITY TIN No. 7126685 DATE: 10-09-18</small>	PREPARED: DELWYN C. BALCOS <small>PROJECT MANAGER DLCC/WDCD</small>	PROJECT NAME AND LOCATION: PROPOSED SEVEN (7)-STOREY GOVERNMENT PROCUREMENT POLICY BOARD TECHNICAL SUPPORT OFFICE (GPPB-TSO) BUILDING UP DILIMAN COMPOUND, DILIMAN, QUEZON CITY	SHEET CONTENTS: REVISED FIFTH FLOOR PLAN	 REPUBLIC OF THE PHILIPPINES DEPARTMENT OF PUBLIC WORKS AND HIGHWAYS Unified Project Management Office Buildings and Special Projects Management Office 2nd Street DPWH-NCR Compound Port Area Manila	CHECKED: VICTOR H. BADILLO <small>PROJECT ENGINEER BSPMC-UPMO</small>	SUBMITTED: ANGELINA B. MELCHOR <small>PROJECT MANAGER III BSPMC-UPMO</small>	REVIEWED: ERIBERTO B. SIOSON <small>CHIEF, BUILDINGS DIVISION BUREAU OF DESIGN</small>	RECOMMENDED: SOLEDAD R. FLORENCIO <small>PROJECT DIRECTOR BSPMC-UPMO</small>	APPROVED: EDWIN C. MATANGUIHAN <small>OIC - DIRECTOR BUREAU OF DESIGN</small>	APPROVED: MAXIMO L. CARVAJAL <small>UNDERSECRETARY FOR TECHNICAL SERVICES</small>	SET NO. ECE 7 8	SHEET NO. 7 8
	DATE: _____												



LEGENDS	DESCRIPTION
	UNIVERSAL INFORMATION OUTLET, DUAL PORT (VOICE & DATA) FLOOR MOUNTED
	UNIVERSAL INFORMATION OUTLET SINGLE PORT FLOOR MOUNTED (VOICE)
	UNIVERSAL INFORMATION OUTLET SINGLE PORT FLOOR MOUNTED (DATA)
	WIRELESS ACCESS POINT (WAP) CEILING MOUNTED
	UNIVERSAL INFORMATION OUTLET, DUAL PORT (VOICE & DATA) WALL MOUNTED
	UNIVERSAL INFORMATION OUTLET, SINGLE PORT (VOICE) WALL MOUNTED
	UNIVERSAL INFORMATION OUTLET, SINGLE PORT (DATA) WALL MOUNTED
	INTERMEDIATE DISTRIBUTION FRAME

CONDUIT SIZE	25mmØC	32mmØC	40mmØC
#24 AWG	2-4	5-6	7-10
CAT 6			

1
REVISÉD SIXTH FLOOR PLAN
 SCALE: 200 MTS

NOTE:
 PURSUANT TO SECTION 4 OF ANNEX "A" OF THE REVISED IMPLEMENTING RULES AND REGULATION OF R.A. 9184, APPROVAL BY THE AUTHORIZED DPWH OFFICIALS OF DETAILED ENGINEERING SURVEYS AND DESIGN UNDERTAKEN BY CONSULTANTS NEITHER DIMINISHES THE RESPONSIBILITY OF THE LATTER FOR THE TECHNICAL INTEGRITY OF THE SURVEYS AND DESIGN NOR TRANSFER ANY PART OF THAT RESPONSIBILITY TO THE APPROVING OFFICIALS.

THE DESIGN CONSULTANT SHALL BE HELD FULLY RESPONSIBLE FOR THE FAILURE OF THE FACILITY/ES/STRUCTURES DUE TO FAULTY DESIGN EXCEPT FOR THE CHANGES MADE WITHOUT THE CONFORMITY OF THE CONSULTANTS.

ORVILLE R. SINGSON
 ELECTRICAL DESIGN
 POSITION: ELECTRICAL ENGINEER
 PRC No.: 0004017PTR TIN No.: 155-838-103
 PTR No.: 7222893, 01-03-18, MARIKINA CITY

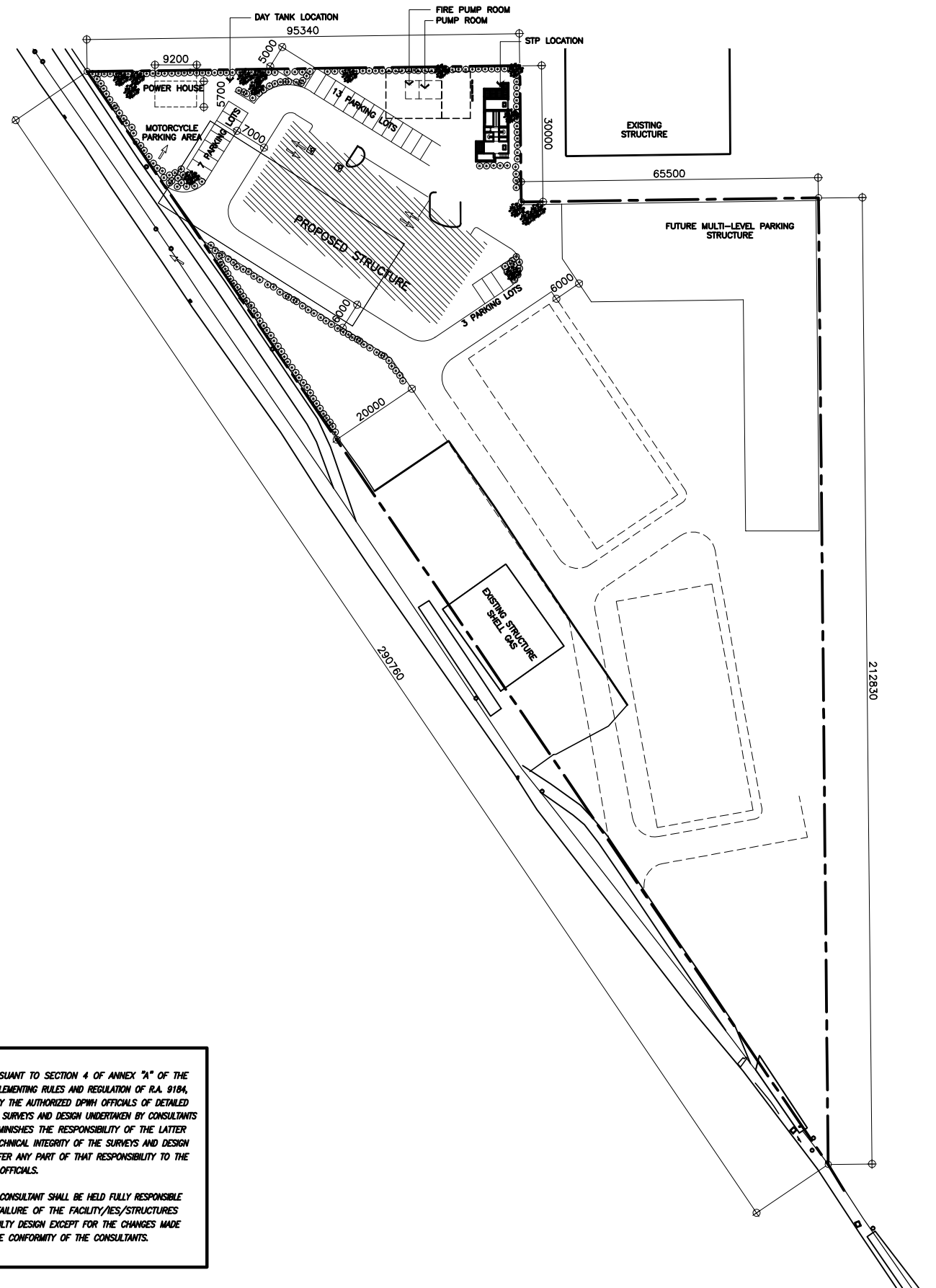
 D.I. CERVANTES CONSTRUCTION CORPORATION	REVIEWED & SUBMITTED BY: ARNULFO C. HERMOGENO <small>PRC No. 0000196 PTR No. 7125685 PLACE ISSUED: MAKATI CITY TIN No. 7125685 DATE: 10-09-18</small>	PREPARED: DELWYN C. BALCOS <small>PROJECT MANAGER DLCC/WDC</small>	PROJECT NAME AND LOCATION: PROPOSED SEVEN (7)-STOREY GOVERNMENT PROCUREMENT POLICY BOARD TECHNICAL SUPPORT OFFICE (GPPB-TSO) BUILDING UP DILIMAN COMPOUND, DILIMAN, QUEZON CITY	SHEET CONTENTS: REVISED SIXTH FLOOR PLAN	 REPUBLIC OF THE PHILIPPINES DEPARTMENT OF PUBLIC WORKS AND HIGHWAYS Unified Project Management Office Buildings and Special Projects Management Office 2nd Street DPWH-NCR Compound Port Area Manila	CHECKED: VICTOR H. BADILLO <small>PROJECT ENGINEER BSPMC-UPMO</small>	SUBMITTED: ANGELINA B. MELCHOR <small>PROJECT MANAGER III BSPMC-UPMO</small>	REVIEWED: ERIBERTO B. SIOSON <small>CHIEF, BUILDINGS DIVISION BUREAU OF DESIGN</small>	RECOMMENDED: SOLEDAD R. FLORENCIO <small>PROJECT DIRECTOR BSPMC-UPMO</small>	EDWIN C. MATANGUIHAN <small>OIC - DIRECTOR BUREAU OF DESIGN</small>	APPROVED: MAXIMO L. CARVAJAL <small>UNDERSECRETARY FOR TECHNICAL SERVICES</small>	SET NO. ECE 8 8	SHEET NO. 8 8
	DATE:												



FRONT VIEW



REAR VIEW



NOTE:
 PURSUANT TO SECTION 4 OF ANNEX "A" OF THE REVISED IMPLEMENTING RULES AND REGULATION OF R.A. 9184, APPROVAL BY THE AUTHORIZED DPWH OFFICIALS OF DETAILED ENGINEERING SURVEYS AND DESIGN UNDERTAKEN BY CONSULTANTS NEITHER DIMINISHES THE RESPONSIBILITY OF THE LATTER FOR THE TECHNICAL INTEGRITY OF THE SURVEYS AND DESIGN NOR TRANSFER ANY PART OF THAT RESPONSIBILITY TO THE APPROVING OFFICIALS.

 THE DESIGN CONSULTANT SHALL BE HELD FULLY RESPONSIBLE FOR THE FAILURE OF THE FACILITY/IES/STRUCTURES DUE TO FAULTY DESIGN EXCEPT FOR THE CHANGES MADE WITHOUT THE CONFORMITY OF THE CONSULTANTS.

1 PERSPECTIVE VIEWS
 SCALE NTS.

2 SITE DEVELOPMENT PLAN
 SCALE 1:600M

UNITED TECHNOLOGIES CONSOLIDATED PARTNERSHIP	PREPARED BY: ARMAN U. CUEVAS <small>ARCHITECTURAL DESIGN POSITION: ARCHITECT PRC No.: 0018676 TIN No.: 907-359-364 PTR No.: 4020896</small>	SUBMITTED BY: CYNTHIA CLEMEN A. YU <small>ARCHITECT/TEAM LEADER</small>	BUREAU OF DESIGN BUILDINGS DIVISION <small>REPUBLIC OF THE PHILIPPINES DEPARTMENT OF PUBLIC WORKS AND HIGHWAYS BONIFACIO DRIVE PORT AREA, MANILA</small>	REVIEWED AS TO DESIGN CONCEPT: JOSEPHINE P. ISTURIS <small>CHIEF, BUILDINGS DIVISION, BOD</small>	RECOMMENDING APPROVAL: <small>(SEE COVER SHEET)</small> LEA N. DELFINADO, CESO IV <small>OFFICER-IN-CHARGE</small>	APPROVED: <small>(SEE COVER SHEET)</small> EMIL K. SADAIN, CESO I <small>UNDERSECRETARY FOR UPMO OPERATIONS & TECHNICAL SERVICES</small>	CONCURRED: <small>(SEE COVER SHEET)</small> ROWENA CANDICE M. RUIZ <small>EXECUTIVE DIRECTOR</small>	PROJECT & LOCATION / BARANGAY: PROPOSED: PROPOSED SEVEN (7) STOREY GOVERNMENT PROCUREMENT POLICY BOARD (GPPB) <small>UP DILIMAN COMPOUND, DILIMAN, QUEZON CITY</small>	SHEET CONTENTS: PERSPECTIVE VIEWS, SITE DEVELOPMENT PLAN	SET NO. BOD A-1	SHEET NO. 3 216

TABLE OF CONTENTS

GENERAL	ARCHITECTURAL	STRUCTURAL	ELECTRICAL	MECHANICAL
G-1 BILL OF QUANTITIES G-2 BILL OF QUANTITIES	A-1 PERSPECTIVE, SITE DEVELOPMENT PLAN A-2 TABLE OF CONTENTS A-3 GROUND FLOOR PLAN A-4 SECOND FLOOR PLAN A-5 THIRD FLOOR PLAN A-6 FOURTH FLOOR PLAN A-7 FIFTH FLOOR PLAN A-8 SIXTH FLOOR PLAN A-9 SEVENTH FLOOR PLAN A-10 DECK ROOF PLAN A-11 ROOF PLAN A-12 FRONT ELEVATION A-13 REAR ELEVATION A-14 RIGHT & LEFT SIDE ELEVATION A-15 CROSS SECTION A-16 LONGITUDINAL SECTION A & B A-17 DETAIL OF FIRE ESCAPE PLAN & ELEVATION A-18 RAILING AND RAMP SPOT DETAILS A-19 SPOT DETAILS, LADDER DETAILS A-20 PRE-CAST COLUMN, SPOT DETAILS A-21 GROUND FLOOR REFLECTED CEILING PLAN A-22 SECOND FLOOR REFLECTED CEILING PLAN A-23 THIRD FLOOR REFLECTED CEILING PLAN A-24 FOURTH FLOOR REFLECTED CEILING PLAN A-25 FIFTH FLOOR REFLECTED CEILING PLAN A-26 SIXTH FLOOR REFLECTED CEILING PLAN A-27 SEVENTH FLOOR REFLECTED CEILING PLAN A-28 REFLECTED CEILING PLAN OVER STAIRWELL A-29 REFLECTED CEILING PLAN OVER BASKETBALL COURT A-30 TYPICAL CEILING DETAIL A-31 DETAIL AUDITORIUM A-32 DETAIL AUDITORIUM SEATING AND STAIR A-33 DETAIL OF LOBBY AND COUNTER A-34 DETAIL OF LOBBY CEILING A-35 TOILET PLAN DETAILS A-36 TOILET PLAN DETAILS A-37 TOILET SECTION DETAILS A-38 TOILET SECTION DETAILS A-39 TOILET SECTION DETAILS A-40 POWER HOUSE AND PUMP ROOM DETAILS A-41 SEWAGE TREATMENT PLANT DETAILS A-42 SEWAGE TREATMENT PLANT DETAILS A-43 SEWAGE TREATMENT PLANT DETAIL OF STAIR AND REMOVABLE COVER A-44 BLACKBOARD DETAIL, CONNECTION DETAIL SECTION A-45 SCHEDULE OF DOORS AND WINDOWS A-46 SCHEDULE OF FLOOR, WALL, AND CEILING FINISHES A-47 SCHEDULE OF FLOOR, WALL, AND CEILING FINISHES A-48 SCHEDULE OF FLOOR, WALL, AND CEILING FINISHES A-49 SCHEDULE OF FLOOR, WALL, CEILING, DOORS AND WINDOW FINISHES.	S-1 STANDARD DETAILS S-2 STANDARD DETAILS S-3 STANDARD DETAILS S-4 STANDARD DETAILS S-5 STANDARD DETAILS S-6 FOUNDATION PLAN S-7 FOOTING DETAILS S-8 WALL FOOTING & DETAIL OF LINTEL BEAM S-9 GROUND FLOOR FRAMING PLAN S-10 SECOND FLOOR FRAMING PLAN S-11 THIRD FLOOR FRAMING PLAN S-12 FOURTH FRAMING PLAN S-13 FIFTH FRAMING PLAN S-14 SIXTH FLOOR FRAMING PLAN S-15 SEVENTH FLOOR FRAMING PLAN S-16 ROOF BEAM FRAMING PLAN AT ELEV. 30.79 S-17 ROOF FRAMING PLAN AT ELEV. 33.79 S-18 ROOF FRAMING PLAN AT ELEV. 35.79 S-19 DETAILS OF REINFORCED CONCRETE COLUMN & TYPICAL COLUMN DETAILS S-20 DETAILS OF SHEARWALL S-21 SCHEDULE OF REINFORCED CONCRETE GIRDERS, TYP. DUCTILE MOMENT FRAME BEAM DETAIL S-22 SCHEDULE OF REINFORCED CONCRETE GIRDERS S-23 SCHEDULE OF REINFORCED CONCRETE GIRDERS S-24 SCHEDULE OF REINFORCED CONCRETE GIRDERS S-25 SCHEDULE OF REINFORCED CONCRETE GIRDERS S-26 SCHEDULE OF REINFORCED CONCRETE GIRDERS S-27 SCHEDULE OF CONCRETE BEAMS, TYP. GRAVITY REINFORCED CONCRETE BEAM DETAIL S-28 SECTION AT GRID A S-29 SECTION AT GRID E S-30 DETAILS OF LINTEL AND STIFFENER COLUMN S-31 STAIR DETAILS S-32 STAIR DETAILS S-33 RAFTER DETAILS S-34 RAFTER DETAILS S-35 POWER HOUSE DETAILS S-36 PUMP ROOM DETAILS S-37 PLAN SHOWING REINFORCEMENTS AT TOP SLAB, PLAN SHOWING REINFORCEMENTS AT BOTTOM SLAB AND WALLS (SEWAGE TREATMENT PLANT) S-38 DETAIL SECTION (SEWAGE TREATMENT PLANT) S-39 DETAIL SECTIONS, TYPICAL WALL CORNER DETAIL, STAIR DETAIL AND SECTIONS (SEWAGE TREATMENT PLANT) S-40 ELEVATOR SHAFT DETAIL	E-1 GENERAL NOTES, ABBREVIATIONS & LEGENDS AND SYMBOLS E-2 ELECTRICAL SITE DEVELOPMENT LAYOUT E-3 CONCRETE PAD DETAILS, HAND HOLE DETAILS, CONCRETE PEDESTAL DETAILS E-4 SINGLE LINE DIAGRAM E-5 GROUND FLOOR LIGHTING LAYOUT E-6 SECOND FLOOR LIGHTING LAYOUT E-7 THIRD FLOOR LIGHTING LAYOUT E-8 FOURTH FLOOR LIGHTING LAYOUT E-9 FIFTH FLOOR LIGHTING LAYOUT E-10 SIXTH FLOOR LIGHTING LAYOUT E-11 SEVENTH FLOOR LIGHTING LAYOUT E-12 DECK ROOF LIGHTING LAYOUT E-13 LPP DIAGRAM, ELEVATOR MACHINE ROOM, POWERHOUSE & PUMP ROOM POWER AND LIGHTING LAYOUT E-14 GROUND FLOOR POWER LAYOUT E-15 SECOND FLOOR POWER LAYOUT E-16 THIRD FLOOR POWER LAYOUT E-17 FOURTH FLOOR POWER LAYOUT E-18 FIFTH FLOOR POWER LAYOUT E-19 SIXTH FLOOR POWER LAYOUT E-20 SEVENTH FLOOR POWER LAYOUT E-21 GROUND FLOOR AIR CONDITIONING & MECHANICAL VENTILATION LAYOUT E-22 SECOND FLOOR AIR CONDITIONING & MECHANICAL VENTILATION LAYOUT E-23 THIRD FLOOR AIR CONDITIONING & MECHANICAL VENTILATION LAYOUT E-24 FOURTH FLOOR AIR CONDITIONING & MECHANICAL VENTILATION LAYOUT E-25 FIFTH FLOOR AIR CONDITIONING & MECHANICAL VENTILATION LAYOUT E-26 SIXTH FLOOR AIR CONDITIONING & MECHANICAL VENTILATION LAYOUT E-27 SEVENTH FLOOR AIR CONDITIONING & MECHANICAL VENTILATION LAYOUT E-28 ROOF DECK AIRCONDITIONING @ MECHANICAL VENTILATION LAYOUT E-29 ROOF PLAN AIR CONDITIONING & MECHANICAL VENTILATION LAYOUT E-30 SCHEDULE OF LOAD E-31 SCHEDULE OF LOAD E-32 SCHEDULE OF LOAD E-33 SCHEDULE OF LOAD E-34 SCHEDULE OF LOAD E-35 SCHEDULE OF LOAD E-36 SCHEDULE OF LOAD E-37 SCHEDULE OF LOAD E-38 SCHEDULE OF LOAD E-39 ELECTRICAL GROUNDING LAYOUT E-40 GROUNDING AND LIGHTNING DETAILS E-41 ELECTRICAL LIGHTNING PROTECTION LAYOUT E-42 LIGHTNING RADIUS PROTECTION LAYOUT	FP-1 GENERAL NOTES, MATERIAL SPECIFICATIONS, LEGEND, SITE, UTILITY, SCHEDULE OF EQUIPMENT, DETAILS OF PUMP SCHEDULE FP-2 GROUND FLOOR REFLECTED CEILING PLAN AFSS LAYOUT FP-3 SECOND FLOOR REFLECTED CEILING PLAN AFSS LAYOUT FP-4 THIRD FLOOR REFLECTED CEILING PLAN AFSS LAYOUT FP-5 FOURTH FLOOR REFLECTED CEILING PLAN AFSS LAYOUT FP-6 FIFTH FLOOR REFLECTED CEILING PLAN AFSS LAYOUT FP-7 SIXTH FLOOR REFLECTED CEILING PLAN AFSS LAYOUT FP-8 SEVENTH FLOOR REFLECTED CEILING PLAN AFSS LAYOUT FP-9 DECK ROOF REFLECTED CEILING PLAN AFSS LAYOUT FP-10 ROOF PLAN AFSS LAYOUT FP-11 SCHEMATIC RISER DIAGRAM OF AUTOMATIC FIRE SPRINKLER SYSTEM, SCHEMATIC RISER DIAGRAM FLOOR CONTROL VALVES ASSEMBLY (WATER FLOW SWITCHES AND O.S. & Y GATE VALVES FP-12 DETAIL OF ALARM CHECK VALVE ASSEMBLY (WET TYPE), ALARM MOTOR GONG, SPRINKLER HEADS, FIRE HOSE CABINET, SPRINKLER HEADS (RECESSED TYPE) & 10LBS(4.5KG) PORTABLE FIRE EXTINGUISHER FP-13 DETAIL OF SUPERVISORY FLOOR CONTROL VALVE, PIPE HANGER, SWAY BRACING, FIRE HOSE VALVE, INSPECTOR TEST CONN. & 2-WAY FIRE DEPT. INLET M-1 EQUIPMENT SCHEDULE, ABBREVIATIONS, LEGEND AND SYMBOLS M-2 EQUIPMENT SCHEDULE M-3 EQUIPMENT REFRIGERANT DETAIL, VRV-ACCU INSTALLATION DETAIL, CEILING MOUNTED EXHAUST FAN DETAIL, CEILING CASSETTE ACU INSTALLATION DETAIL, REFRIGERANT PIPE SUPPORT DETAIL M-4 GROUND FLOOR AIR CONDITIONING AND VENTILATION LAYOUT M-5 SECOND FLOOR AIR CONDITIONING AND VENTILATION LAYOUT M-6 THIRD FLOOR AIR CONDITIONING AND VENTILATION LAYOUT M-7 FOURTH FLOOR AIR CONDITIONING AND VENTILATION LAYOUT M-8 FIFTH FLOOR AIR CONDITIONING AND VENTILATION LAYOUT M-9 SIXTH FLOOR AIR CONDITIONING AND VENTILATION LAYOUT M-10 SEVENTH FLOOR AIR CONDITIONING AND VENTILATION LAYOUT M-11 DECK ROOF AIR CONDITIONING AND VENTILATION LAYOUT M-12 ROOF PLAN AIR CONDITIONING AND VENTILATION LAYOUT M-13 VRV SYSTEM AND CONTROL SCHEMATIC DIAGRAM M-14 VRV SYSTEM AND CONTROL SCHEMATIC DIAGRAM, CONTROL SCHEMATIC STAIRWELL PRESSURIZATION SYSTEM M-15 WALL MOUNTED ACU DETAIL, DUCT INSULATION DETAIL, DUCT CONSTRUCTION DETAIL, DUCT SUPPORT DETAIL, REFRIGERANT RISER DETAIL, PROPELLER FAN DETAIL, SISW CENTRIFUGAL FAN DETAIL, CONDESATE WATER PIPE DETAIL, & LINEAR GRILLE DETAIL M-16 WATER PIPE DISTRIBUTION SYSTEM M-17 ELEVATOR SYSTEM DETAIL
		SANITARY/PLUMBING		
		P-1 DRAWING INDEX, GENERAL NOTES, MATERIAL SPECIFICATIONS, LEGENDS, SYMBOLS AND ABBREVIATION P-2 SITE DRAINAGE/SANITARY LINE LAYOUT P-3 GROUND FLOOR SANITARY LINE LAYOUT P-4 SECOND FLOOR SANITARY LINE LAYOUT P-5 THIRD FLOOR SANITARY LINE LAYOUT P-6 FOURTH FLOOR SANITARY LINE LAYOUT P-7 FIFTH FLOOR SANITARY LINE LAYOUT P-8 SIXTH FLOOR SANITARY LINE LAYOUT P-9 SEVENTH FLOOR SANITARY LINE LAYOUT P-10 DECK FLOOR SANITARY LINE LAYOUT P-11 ROOF SANITARY LINE LAYOUT P-12 SITE WATERLINE LAYOUT P-13 GROUND FLOOR WATERLINE LAYOUT P-14 SECOND FLOOR WATERLINE LAYOUT P-15 FOURTH FLOOR WATERLINE LAYOUT P-16 FOURTH FLOOR WATERLINE LAYOUT P-17 FIFTH FLOOR WATERLINE LAYOUT P-18 SIXTH FLOOR WATERLINE LAYOUT P-19 SEVENTH FLOOR WATERLINE LAYOUT P-20 DECK ROOF WATERLINE LAYOUT P-21 ROOF WATERLINE LAYOUT P-22 SCHEMATIC RISER DIAGRAM OF SEWER, WASTE & VENT SYSTEM P-23 SCHEMATIC RISERDIAGRAM OF STORM DRAINAGE SYSTEM P-24 SCHEMATIC RISER DIAGRAM OF WATER DISTRIBUTION P-25 GROUND FLOOR TOILET PLAN AND ISOMETRY P-26 SECOND FLOOR AND THIRD FLOOR TOILET PLAN AND ISOMETRY P-27 FOURTH FLOOR TOILET PLAN AND ISOMETRY P-28 FIFTH FLOOR AND SIXTH FLOOR TOILET PLAN AND ISOMETRY P-29 SIXTH FLOOR TOILET PLAN AND ISOMETRY P-30 SEVENTH FLOOR TOILET PLAN AND ISOMETRY P-31 WATERLINE & SANITARY ISOMETRY P-32 MISCELLANEOUS DETAILS P-33 MISCELLANEOUS DETAILS P-34 MISCELLANEOUS DETAILS		
			ELECTRONICS COMMUNICATION	
			EC-1 GENERAL NOTES, ABBREVIATIONS & LEGENDS AND SYMBOLS EC-2 GENERAL NOTES, ABBREVIATIONS & LEGENDS AND SYMBOL EC-3 PUBLIC ADDRESS, TELEPHONE, DOOR ACCESS AND DATA RISER DIAGRAM EC-4 GROUND FLOOR FIRE ALARM & CCTV LAYOUT EC-5 SECOND FLOOR FIRE ALARM & CCTV LAYOUT EC-6 THIRD FLOOR FIRE ALARM & CCTV LAYOUT EC-7 FOURTH FLOOR FIRE ALARM & CCTV LAYOUT EC-8 FIFTH FLOOR FIRE ALARM & CCTV LAYOUT EC-9 SIXTH FLOOR FIRE ALARM & CCTV LAYOUT EC-10 SEVENTH FLOOR FIRE ALARM & CCTV LAYOUT EC-11 ROOF DECK FIRE ALARM & CCTV LAYOUT EC-12 GROUND FLOOR TELEPHONE, DATA & PAGING SYSTEM LAYOUT EC-13 SECOND FLOOR TELEPHONE, DATA & PAGING SYSTEM LAYOUT EC-14 THIRD FLOOR TELEPHONE, DATA & PAGING SYSTEM LAYOUT EC-15 FOURTH FLOOR TELEPHONE, DATA & PAGING SYSTEM LAYOUT EC-16 FIFTH FLOOR TELEPHONE, DATA & PAGING SYSTEM LAYOUT EC-17 SIXTH FLOOR TELEPHONE, DATA & PAGING SYSTEM LAYOUT EC-18 SEVENTH FLOOR TELEPHONE, DATA & PAGING SYSTEM LAYOUT EC-19 SMOKE/HEAT DETECTOR, CCTV CAMERA, ADDRESSABLE SOUNDER & MANUAL CALL POINT MOUNTING DETAIL	

NOTE:
PURSUANT TO SECTION 4 OF ANNEX "A" OF THE REVISED IMPLEMENTING RULES AND REGULATION OF R.A. 9184, APPROVAL BY THE AUTHORIZED DPWH OFFICIALS OF DETAILED ENGINEERING SURVEYS AND DESIGN UNDERTAKEN BY CONSULTANTS NEITHER DIMINISHES THE RESPONSIBILITY OF THE LATTER FOR THE TECHNICAL INTEGRITY OF THE SURVEYS AND DESIGN NOR TRANSFER ANY PART OF THAT RESPONSIBILITY TO THE APPROVING OFFICIALS.

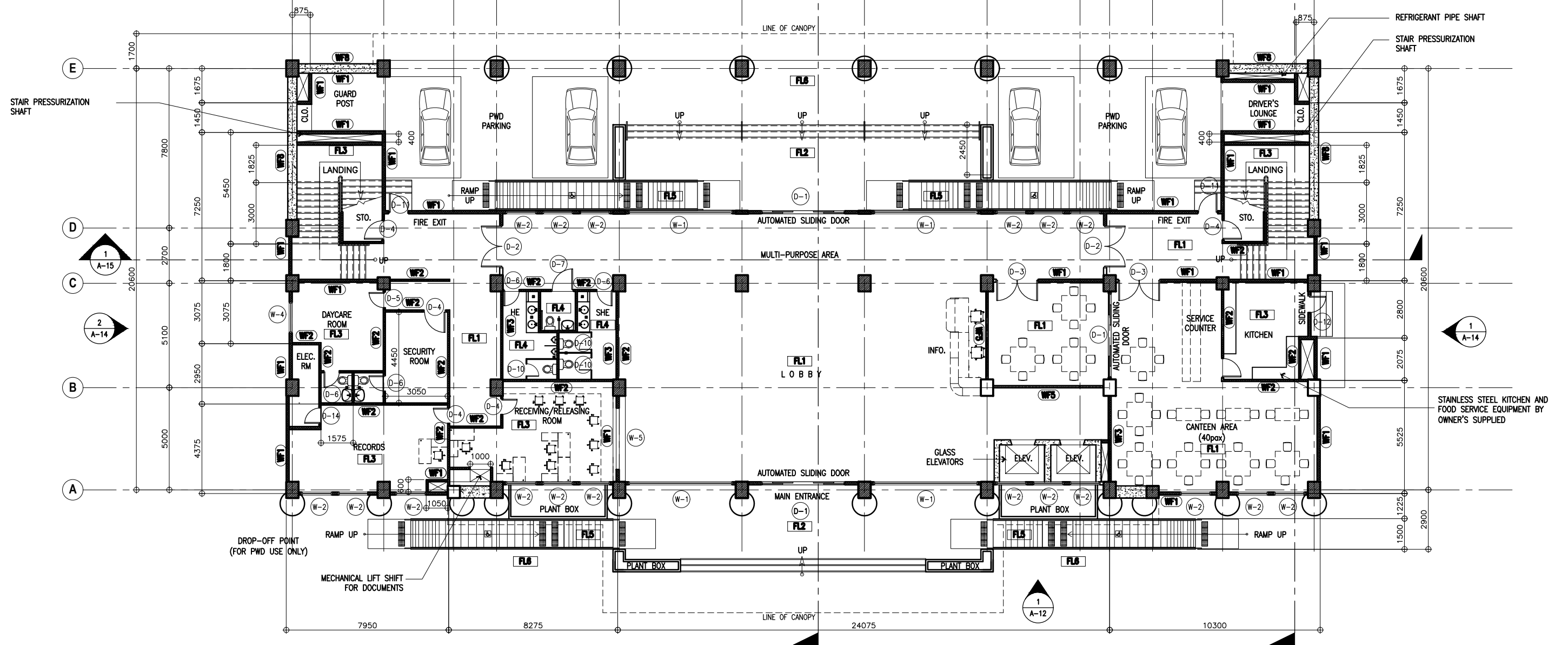
THE DESIGN CONSULTANT SHALL BE HELD FULLY RESPONSIBLE FOR THE FAILURE OF THE FACILITY/IES/STRUCTURES DUE TO FAULTY DESIGN EXCEPT FOR THE CHANGES MADE WITHOUT THE CONFORMITY OF THE CONSULTANTS.

SCHEDULE OF FLOOR FINISHES:

- FL1 900 X 900mm POLISHED SYNTHETIC GRANITE TILE FLOOR FINISH
- FL2 600 X 600mm TEXTURED CERAMIC TILE (NON-SKID) FLOOR FINISH-OUTDOOR TYPE (SUBMIT SAMPLE FOR APPROVAL) -PROVIDE WATER BASE WATERPROOFING FOR TERRACE
- FL3 600 X 600mm CERAMIC TILE FLOOR FINISH (SUBMIT SAMPLE FOR APPROVAL)
(NOTE: USE 600 X 600mm CERAMIC TILE (NON-SKID) FLOOR FINISH FOR MAIN ENTRANCE STAIR/FIRE EXIT STAIR - TREADS & RISERS)
- FL4 600 X 600mm UNGLAZED VITRIFIED CERAMIC TILE FLOOR FINISH (SIZE & COLOR BY END-USER'S APPROVAL) -PROVIDE WATER BASE WATERPROOFING
- FL5 NON-SKID CEMENT FLOOR FINISH WITH GROOVE LINES (PROVIDE FLOOR HARDENER)
- FL6 PLAIN CEMENT FLOOR FINISH (PROVIDE FLOOR HARDENER)
- FL7 1820 X 190 X 19mm THK. LAMINATE FLOORING
- FL8 CARPET MAD RIBBED FLOORING

SCHEDULE OF WALL FINISHES:

- WF1 150mm THK. CHB W/ PLAIN CEMENT PLASTER (PAINTED FINISH)
- WF2 100mm THK. CHB W/ PLAIN CEMENT PLASTER (PAINTED FINISH)
- WF3 100mm THK. CHB W/ 600x600mm VITRIFIED WALL TILES (GLAZED)
- WF4 150mm THK. CHB W/ 600x600mm VITRIFIED WALL TILES (GLAZED)
- WF5 100mm THK. CHB W/ 1820x190x19mm THK. WALL PANELS
- WF6 12mm THK. TEMPERED GLASS
- WF7 DRYWALL PAINTED FINISH
- WF8 REINFORCED CONCRETE WALL
- REINFORCED CONCRETE COLUMN



1 GROUND FLOOR PLAN
SCALE 1:100M

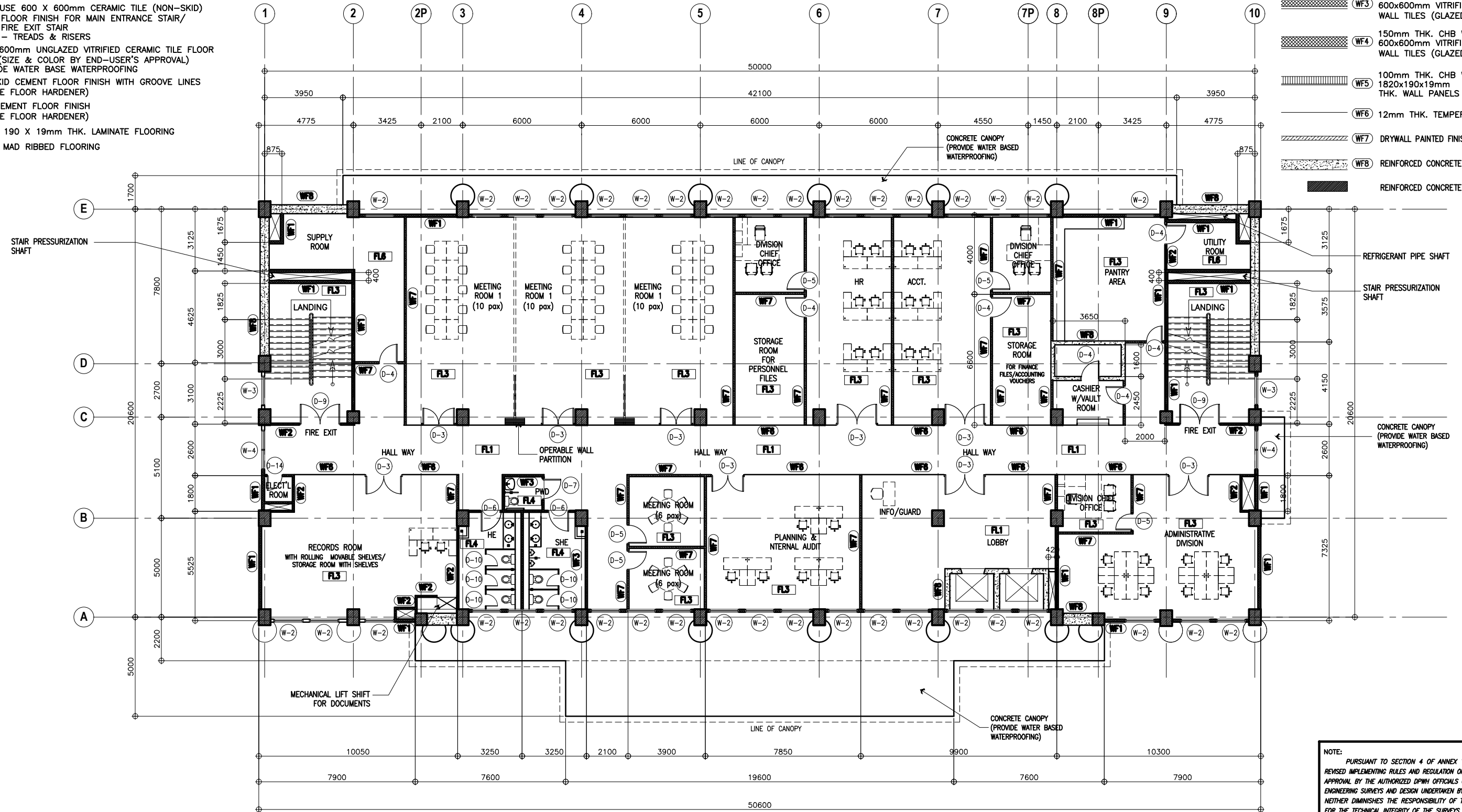
	PREPARED BY:	SUBMITTED BY:		REVIEWED AS TO DESIGN CONCEPT:	RECOMMENDING APPROVAL:	APPROVED:	CONCURRED:	PROJECT & LOCATION / BARANGAY:	SHEET CONTENTS:	SET NO.	SHEET NO.
	ARMAN U. CUEVAS <small>ARCHITECTURAL DESIGN POSITION: ARCHITECT PRC No.: 0018676 TRN No.: 907-359-364 PTR No.: 4020896</small>	CYNTHIA CLEMEN A. YU <small>ARCHITECT/TEAM LEADER</small>		REPUBLIC OF THE PHILIPPINES DEPARTMENT OF PUBLIC WORKS AND HIGHWAYS BUREAU OF DESIGN BUILDINGS DIVISION <small>BONIFACIO DRIVE PORT AREA, MANILA</small>	JOSEPHINE P. ISTURIS <small>CHIEF, BUILDINGS DIVISION, BOD</small>	LEA N. DELFINADO, CESO IV <small>OFFICER-IN-CHARGE</small>	EMIL K. SADAIN, CESO I <small>UNDERSECRETARY FOR UPMO OPERATIONS & TECHNICAL SERVICES</small>	ROWENA CANDICE M. RUIZ <small>EXECUTIVE DIRECTOR</small>	PROPOSED SEVEN (7) STOREY GOVERNMENT PROCUREMENT POLICY BOARD (GPPB) UP DILIMAN COMPOUND, DILIMAN, QUEZON CITY	GROUND FLOOR PLAN	BOD A-3

SCHEDULE OF FLOOR FINISHES:

- FL1 900 X 900mm POLISHED SYNTHETIC GRANITE TILE FLOOR FINISH
- FL2 600 X 600mm TEXTURED CERAMIC TILE (NON-SKID) FLOOR FINISH-OUTDOOR TYPE (SUBMIT SAMPLE FOR APPROVAL) -PROVIDE WATER BASE WATERPROOFING FOR TERRACE
- FL3 600 X 600mm CERAMIC TILE FLOOR FINISH (SUBMIT SAMPLE FOR APPROVAL)
(NOTE: USE 600 X 600mm CERAMIC TILE (NON-SKID) FLOOR FINISH FOR MAIN ENTRANCE STAIR/FIRE EXIT STAIR - TREADS & RISERS)
- FL4 600 X 600mm UNGLAZED VITRIFIED CERAMIC TILE FLOOR FINISH (SIZE & COLOR BY END-USER'S APPROVAL) -PROVIDE WATER BASE WATERPROOFING
- FL5 NON-SKID CEMENT FLOOR FINISH WITH GROOVE LINES (PROVIDE FLOOR HARDENER)
- FL6 PLAIN CEMENT FLOOR FINISH (PROVIDE FLOOR HARDENER)
- FL7 1820 X 190 X 19mm THK. LAMINATE FLOORING
- FL8 CARPET MAD RIBBED FLOORING

SCHEDULE OF WALL FINISHES:

- WF1 150mm THK. CHB W/ PLAIN CEMENT PLASTER (PAINTED FINISH)
- WF2 100mm THK. CHB W/ PLAIN CEMENT PLASTER (PAINTED FINISH)
- WF3 100mm THK. CHB W/ 600x600mm VITRIFIED WALL TILES (GLAZED)
- WF4 150mm THK. CHB W/ 600x600mm VITRIFIED WALL TILES (GLAZED)
- WF5 100mm THK. CHB W/ 1820x190x19mm THK. WALL PANELS
- WF6 12mm THK. TEMPERED GLASS
- WF7 DRYWALL PAINTED FINISH
- WF8 REINFORCED CONCRETE WALL
- REINFORCED CONCRETE COLUMN



1 SECOND FLOOR PLAN
A-4 SCALE 1:100M

NOTE:
PURSUANT TO SECTION 4 OF ANNEX "A" OF THE REVISED IMPLEMENTING RULES AND REGULATION OF R.A. 9184, APPROVAL BY THE AUTHORIZED DPWH OFFICIALS OF DETAILED ENGINEERING SURVEYS AND DESIGN UNDERTAKEN BY CONSULTANTS NEITHER DIMINISHES THE RESPONSIBILITY OF THE LATTER FOR THE TECHNICAL INTEGRITY OF THE SURVEYS AND DESIGN NOR TRANSFER ANY PART OF THAT RESPONSIBILITY TO THE APPROVING OFFICIALS.

THE DESIGN CONSULTANT SHALL BE HELD FULLY RESPONSIBLE FOR THE FAILURE OF THE FACILITY/ES/STRUCTURES DUE TO FAULTY DESIGN EXCEPT FOR THE CHANGES MADE WITHOUT THE CONFORMITY OF THE CONSULTANTS.

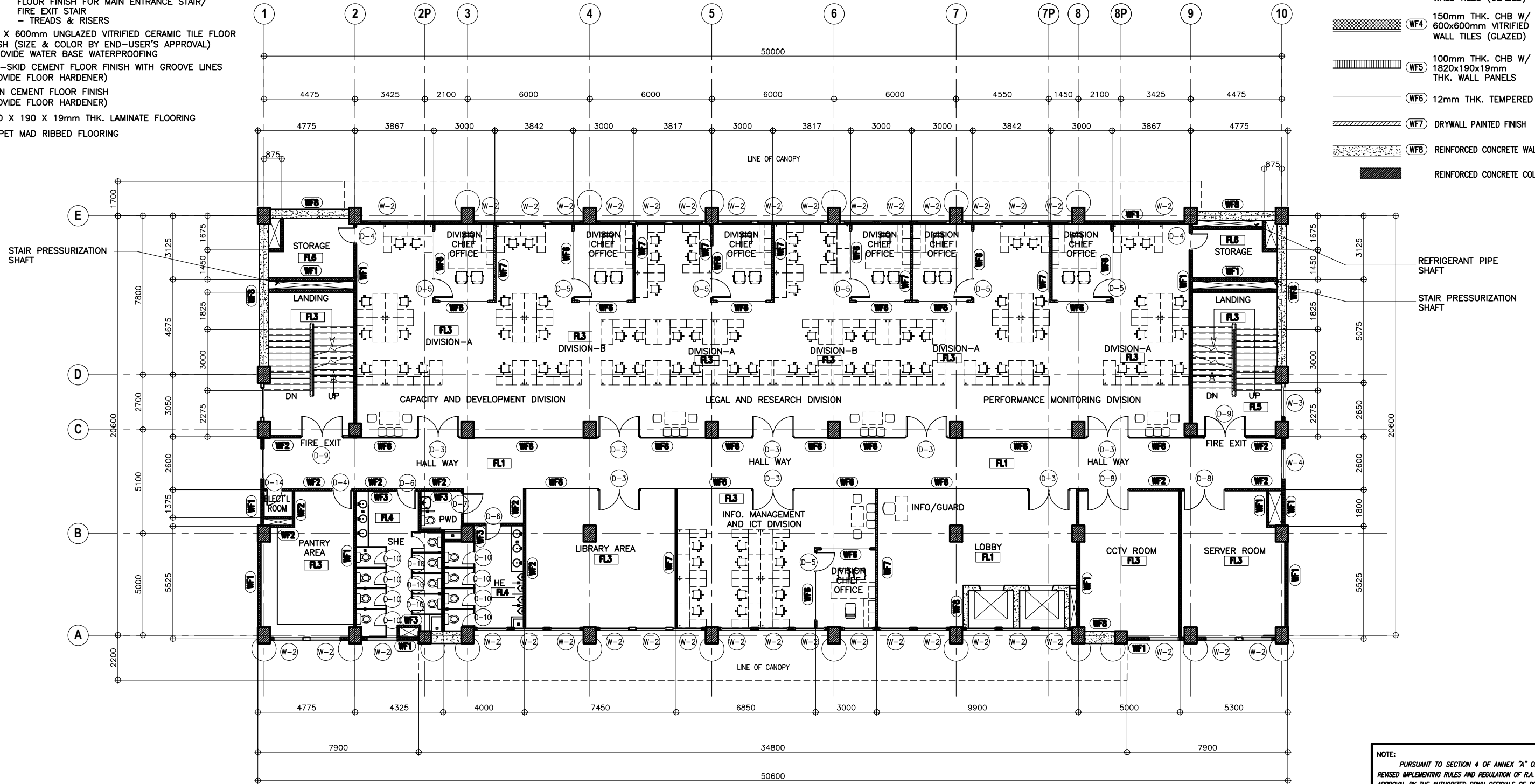
	PREPARED BY:	SUBMITTED BY:		REVIEWED AS TO DESIGN CONCEPT:	RECOMMENDING APPROVAL:	APPROVED:	CONCURRED:	PROJECT & LOCATION / BARANGAY:	SHEET CONTENTS:	SET NO.	SHEET NO.
	ARMAN U. CUEVAS <small>ARCHITECTURAL DESIGN POSITION: ARCHITECT PRC No.: 0018676 TRN No.: 907-359-364 PTR No.: 4020896</small>	CYNTHIA CLEMEN A. YU <small>ARCHITECT/TEAM LEADER</small>		REPUBLIC OF THE PHILIPPINES DEPARTMENT OF PUBLIC WORKS AND HIGHWAYS BUREAU OF DESIGN BUILDINGS DIVISION <small>BONIFACIO DRIVE PORT AREA, MANILA</small>	JOSEPHINE P. ISTURIS <small>CHIEF, BUILDINGS DIVISION, BOD</small>	LEA N. DELFINADO, CESO IV <small>OFFICER-IN-CHARGE</small>	EMIL K. SADAIN, CESO I <small>UNDERSECRETARY FOR UPMO OPERATIONS & TECHNICAL SERVICES</small>	ROWENA CANDICE M. RUIZ <small>EXECUTIVE DIRECTOR</small>	PROPOSED SEVEN (7) STOREY GOVERNMENT PROCUREMENT POLICY BOARD (GPPB) <small>UP DILIMAN COMPOUND, DILIMAN, QUEZON CITY</small>	SECOND FLOOR PLAN	BOD A-4

SCHEDULE OF FLOOR FINISHES:

- FL1** 900 X 900mm POLISHED SYNTHETIC GRANITE TILE FLOOR FINISH
- FL2** 600 X 600mm TEXTURED CERAMIC TILE (NON-SKID) FLOOR FINISH-OUTDOOR TYPE (SUBMIT SAMPLE FOR APPROVAL) -PROVIDE WATER BASE WATERPROOFING FOR TERRACE
- FL3** 600 X 600mm CERAMIC TILE FLOOR FINISH (SUBMIT SAMPLE FOR APPROVAL)
(NOTE: USE 600 X 600mm CERAMIC TILE (NON-SKID) FLOOR FINISH FOR MAIN ENTRANCE STAIR/ FIRE EXIT STAIR - TREADS & RISERS)
- FL4** 600 X 600mm UNGLAZED VITRIFIED CERAMIC TILE FLOOR FINISH (SIZE & COLOR BY END-USER'S APPROVAL) -PROVIDE WATER BASE WATERPROOFING
- FL5** NON-SKID CEMENT FLOOR FINISH WITH GROOVE LINES (PROVIDE FLOOR HARDENER)
- FL6** PLAIN CEMENT FLOOR FINISH (PROVIDE FLOOR HARDENER)
- FL7** 1820 X 190 X 19mm THK. LAMINATE FLOORING
- FL8** CARPET MAD RIBBED FLOORING

SCHEDULE OF WALL FINISHES:

- WF1** 150mm THK. CHB W/ PLAIN CEMENT PLASTER (PAINTED FINISH)
- WF2** 100mm THK. CHB W/ PLAIN CEMENT PLASTER (PAINTED FINISH)
- WF3** 100mm THK. CHB W/ 600x600mm VITRIFIED WALL TILES (GLAZED)
- WF4** 150mm THK. CHB W/ 600x600mm VITRIFIED WALL TILES (GLAZED)
- WF5** 100mm THK. CHB W/ 1820x190x19mm THK. WALL PANELS
- WF6** 12mm THK. TEMPERED GLASS
- WF7** DRYWALL PAINTED FINISH
- WF8** REINFORCED CONCRETE WALL
- RC** REINFORCED CONCRETE COLUMN



NOTE:
PURSUANT TO SECTION 4 OF ANNEX "A" OF THE REVISED IMPLEMENTING RULES AND REGULATION OF R.A. 9184, APPROVAL BY THE AUTHORIZED DPWH OFFICIALS OF DETAILED ENGINEERING SURVEYS AND DESIGN UNDERTAKEN BY CONSULTANTS NEITHER DIMINISHES THE RESPONSIBILITY OF THE LATTER FOR THE TECHNICAL INTEGRITY OF THE SURVEYS AND DESIGN NOR TRANSFER ANY PART OF THAT RESPONSIBILITY TO THE APPROVING OFFICIALS.

THE DESIGN CONSULTANT SHALL BE HELD FULLY RESPONSIBLE FOR THE FAILURE OF THE FACILITY/IES/STRUCTURES DUE TO FAULTY DESIGN EXCEPT FOR THE CHANGES MADE WITHOUT THE CONFORMITY OF THE CONSULTANTS.

1 THIRD FLOOR PLAN
A-5 SCALE 1:100M

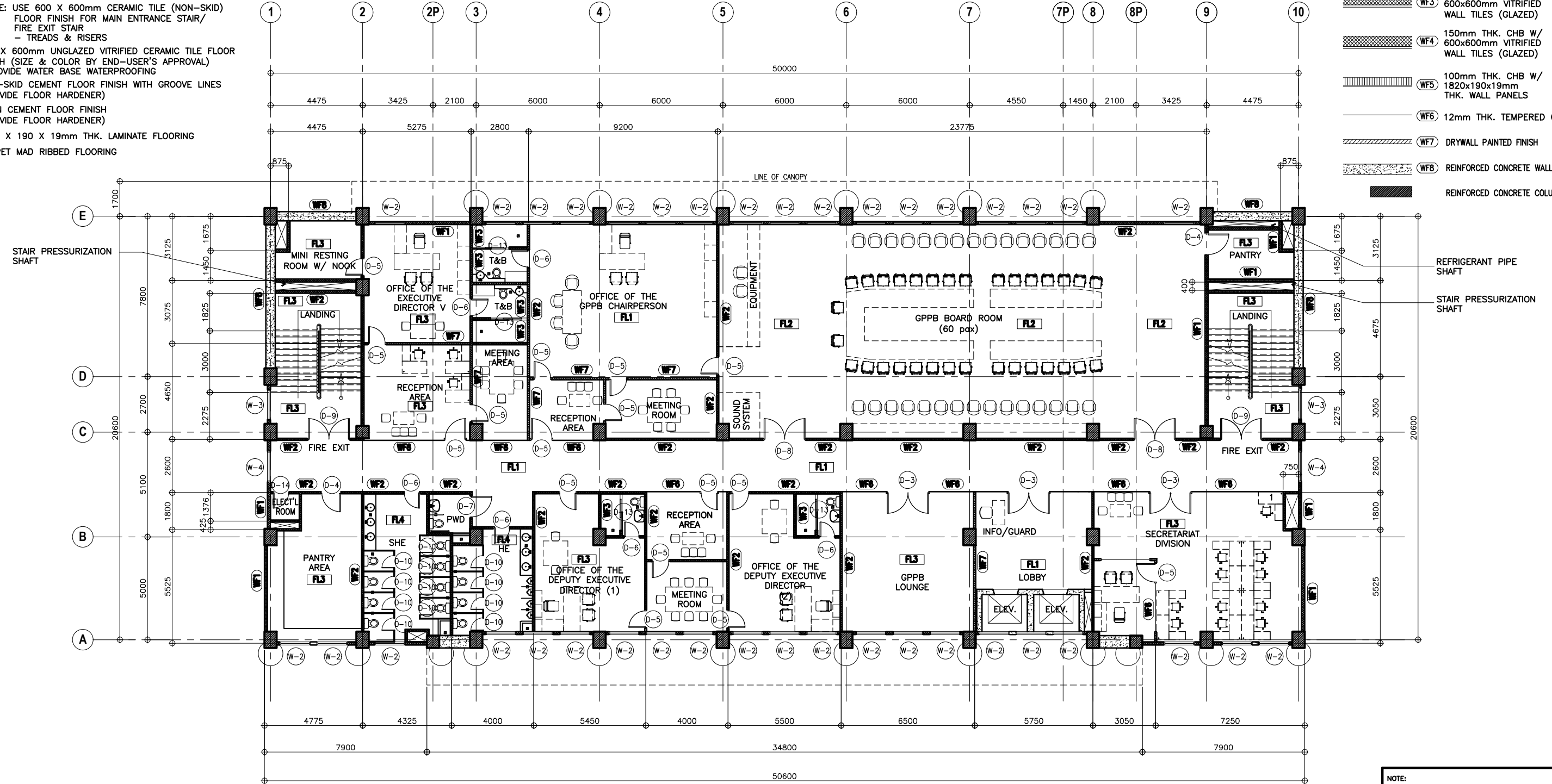
	PREPARED BY:	SUBMITTED BY:		REVIEWED AS TO DESIGN CONCEPT:	RECOMMENDING APPROVAL:	APPROVED:	CONCURRED:	PROJECT & LOCATION / BARANGAY:	SHEET CONTENTS:	SET NO.	SHEET NO.
	ARMAN U. CUEVAS <small>ARCHITECTURAL DESIGN POSITION: ARCHITECT PRC No.: 0018876 TIN No.: 907-359-364 PTR No.: 4020896</small>	CYNTHIA CLEMEN A. YU <small>ARCHITECT/TEAM LEADER</small>		REPUBLIC OF THE PHILIPPINES DEPARTMENT OF PUBLIC WORKS AND HIGHWAYS BUREAU OF DESIGN BUILDINGS DIVISION <small>BONIFACIO DRIVE PORT AREA, MANILA</small>	JOSEPHINE P. ISTURIS <small>CHIEF, BUILDINGS DIVISION, BOD</small>	LEA N. DELFINADO, CESO IV <small>OFFICER-IN-CHARGE</small>	EMIL K. SADAIN, CESO I <small>UNDERSECRETARY FOR UPMO OPERATIONS & TECHNICAL SERVICES</small>	(SEE COVER SHEET) (SEE COVER SHEET)	(SEE COVER SHEET) (SEE COVER SHEET)	PROPOSED: PROPOSED SEVEN (7) STOREY GOVERNMENT PROCUREMENT POLICY BOARD (GPPB) UP DILIMAN COMPOUND, DILIMAN, QUEZON CITY	THIRD FLOOR PLAN

SCHEDULE OF FLOOR FINISHES:

- FL1 900 X 900mm POLISHED SYNTHETIC GRANITE TILE FLOOR FINISH
- FL2 600 X 600mm TEXTURED CERAMIC TILE (NON-SKID) FLOOR FINISH-OUTDOOR TYPE (SUBMIT SAMPLE FOR APPROVAL) -PROVIDE WATER BASE WATERPROOFING FOR TERRACE
- FL3 600 X 600mm CERAMIC TILE FLOOR FINISH (SUBMIT SAMPLE FOR APPROVAL)
(NOTE: USE 600 X 600mm CERAMIC TILE (NON-SKID) FLOOR FINISH FOR MAIN ENTRANCE STAIR/ FIRE EXIT STAIR - TREADS & RISERS)
- FL4 600 X 600mm UNGLAZED VITRIFIED CERAMIC TILE FLOOR FINISH (SIZE & COLOR BY END-USER'S APPROVAL) -PROVIDE WATER BASE WATERPROOFING
- FL5 NON-SKID CEMENT FLOOR FINISH WITH GROOVE LINES (PROVIDE FLOOR HARDENER)
- FL6 PLAIN CEMENT FLOOR FINISH (PROVIDE FLOOR HARDENER)
- FL7 1820 X 190 X 19mm THK. LAMINATE FLOORING
- FL8 CARPET MAD RIBBED FLOORING

SCHEDULE OF WALL FINISHES:

- WF1 150mm THK. CHB W/ PLAIN CEMENT PLASTER (PAINTED FINISH)
- WF2 100mm THK. CHB W/ PLAIN CEMENT PLASTER (PAINTED FINISH)
- WF3 100mm THK. CHB W/ 600x600mm VITRIFIED WALL TILES (GLAZED)
- WF4 150mm THK. CHB W/ 600x600mm VITRIFIED WALL TILES (GLAZED)
- WF5 100mm THK. CHB W/ 1820x190x19mm THK. WALL PANELS
- WF6 12mm THK. TEMPERED GLASS
- WF7 DRYWALL PAINTED FINISH
- WF8 REINFORCED CONCRETE WALL
- REINFORCED CONCRETE COLUMN



NOTE:
PURSUANT TO SECTION 4 OF ANNEX "A" OF THE REVISED IMPLEMENTING RULES AND REGULATION OF R.A. 9184, APPROVAL BY THE AUTHORIZED DPWH OFFICIALS OF DETAILED ENGINEERING SURVEYS AND DESIGN UNDERTAKEN BY CONSULTANTS NEITHER DIMINISHES THE RESPONSIBILITY OF THE LATTER FOR THE TECHNICAL INTEGRITY OF THE SURVEYS AND DESIGN NOR TRANSFER ANY PART OF THAT RESPONSIBILITY TO THE APPROVING OFFICIALS.

THE DESIGN CONSULTANT SHALL BE HELD FULLY RESPONSIBLE FOR THE FAILURE OF THE FACILITY/IES/STRUCTURES DUE TO FAULTY DESIGN EXCEPT FOR THE CHANGES MADE WITHOUT THE CONFORMITY OF THE CONSULTANTS.

1 FOURTH FLOOR PLAN
A-6 SCALE 1:100M

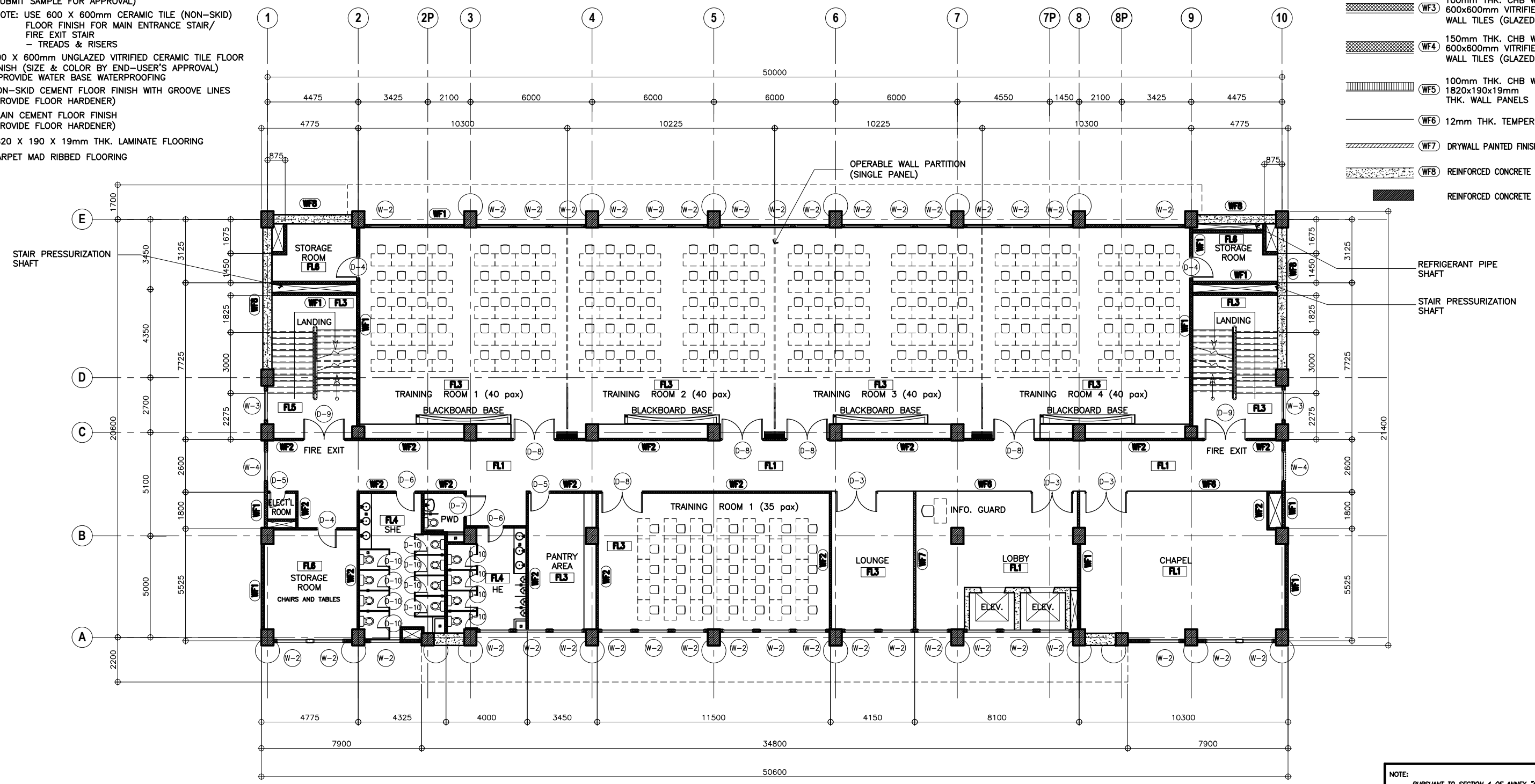
<p>UNITED TECHNOLOGIES CONSOLIDATED PARTNERSHIP</p>	PREPARED BY:	SUBMITTED BY:	<p>REPUBLIC OF THE PHILIPPINES DEPARTMENT OF PUBLIC WORKS AND HIGHWAYS BUREAU OF DESIGN BUILDINGS DIVISION BONIFACIO DRIVE PORT AREA, MANILA</p>	REVIEWED AS TO DESIGN CONCEPT:	RECOMMENDING APPROVAL:	APPROVED:	CONCURRED:	PROJECT & LOCATION / BARANGAY:	SHEET CONTENTS:	SET NO.	SHEET NO.
	ARMAN U. CUEVAS <small>ARCHITECTURAL DESIGN POSITION: ARCHITECT PRC No.: 0018876 TIN No.: 907-359-364 PTR No.: 4020896</small>	CYNTHIA CLEMEN A. YU <small>ARCHITECT/TEAM LEADER</small>		JOSEPHINE P. ISTURIS <small>CHIEF, BUILDINGS DIVISION, BOD</small>	LEA N. DELFINADO, CESO IV <small>OFFICER-IN-CHARGE</small>	EMIL K. SADAIN, CESO I <small>UNDERSECRETARY FOR UPMO OPERATIONS & TECHNICAL SERVICES</small>	ROWENA CANDICE M. RUIZ <small>EXECUTIVE DIRECTOR</small>	PROPOSED SEVEN (7) STOREY GOVERNMENT PROCUREMENT POLICY BOARD (GPPB) UP DILIMAN COMPOUND, DILIMAN, QUEZON CITY	FOURTH FLOOR PLAN	BOD A-6	8 216

SCHEDULE OF FLOOR FINISHES:

- FL1 900 X 900mm POLISHED SYNTHETIC GRANITE TILE FLOOR FINISH
- FL2 600 X 600mm TEXTURED CERAMIC TILE (NON-SKID) FLOOR FINISH-OUTDOOR TYPE (SUBMIT SAMPLE FOR APPROVAL) -PROVIDE WATER BASE WATERPROOFING FOR TERRACE
- FL3 600 X 600mm CERAMIC TILE FLOOR FINISH (SUBMIT SAMPLE FOR APPROVAL)
(NOTE: USE 600 X 600mm CERAMIC TILE (NON-SKID) FLOOR FINISH FOR MAIN ENTRANCE STAIR/FIRE EXIT STAIR - TREADS & RISERS)
- FL4 600 X 600mm UNGLAZED VITRIFIED CERAMIC TILE FLOOR FINISH (SIZE & COLOR BY END-USER'S APPROVAL) -PROVIDE WATER BASE WATERPROOFING
- FL5 NON-SKID CEMENT FLOOR FINISH WITH GROOVE LINES (PROVIDE FLOOR HARDENER)
- FL6 PLAIN CEMENT FLOOR FINISH (PROVIDE FLOOR HARDENER)
- FL7 1820 X 190 X 19mm THK. LAMINATE FLOORING
- FL8 CARPET MAD RIBBED FLOORING

SCHEDULE OF WALL FINISHES:

- WF1 150mm THK. CHB W/ PLAIN CEMENT PLASTER (PAINTED FINISH)
- WF2 100mm THK. CHB W/ PLAIN CEMENT PLASTER (PAINTED FINISH)
- WF3 100mm THK. CHB W/ 600x600mm VITRIFIED WALL TILES (GLAZED)
- WF4 150mm THK. CHB W/ 600x600mm VITRIFIED WALL TILES (GLAZED)
- WF5 100mm THK. CHB W/ 1820x190x19mm THK. WALL PANELS
- WF6 12mm THK. TEMPERED GLASS
- WF7 DRYWALL PAINTED FINISH
- WF8 REINFORCED CONCRETE WALL
- REINFORCED CONCRETE COLUMN



1 FIFTH FLOOR PLAN
SCALE 1:100M

NOTE:
PURSUANT TO SECTION 4 OF ANNEX "A" OF THE REVISED IMPLEMENTING RULES AND REGULATION OF R.A. 9184, APPROVAL BY THE AUTHORIZED DPWH OFFICIALS OF DETAILED ENGINEERING SURVEYS AND DESIGN UNDERTAKEN BY CONSULTANTS NEITHER DIMINISHES THE RESPONSIBILITY OF THE LATTER FOR THE TECHNICAL INTEGRITY OF THE SURVEYS AND DESIGN NOR TRANSFER ANY PART OF THAT RESPONSIBILITY TO THE APPROVING OFFICIALS.

THE DESIGN CONSULTANT SHALL BE HELD FULLY RESPONSIBLE FOR THE FAILURE OF THE FACILITY/IES/STRUCTURES DUE TO FAULTY DESIGN EXCEPT FOR THE CHANGES MADE WITHOUT THE CONFORMITY OF THE CONSULTANTS.

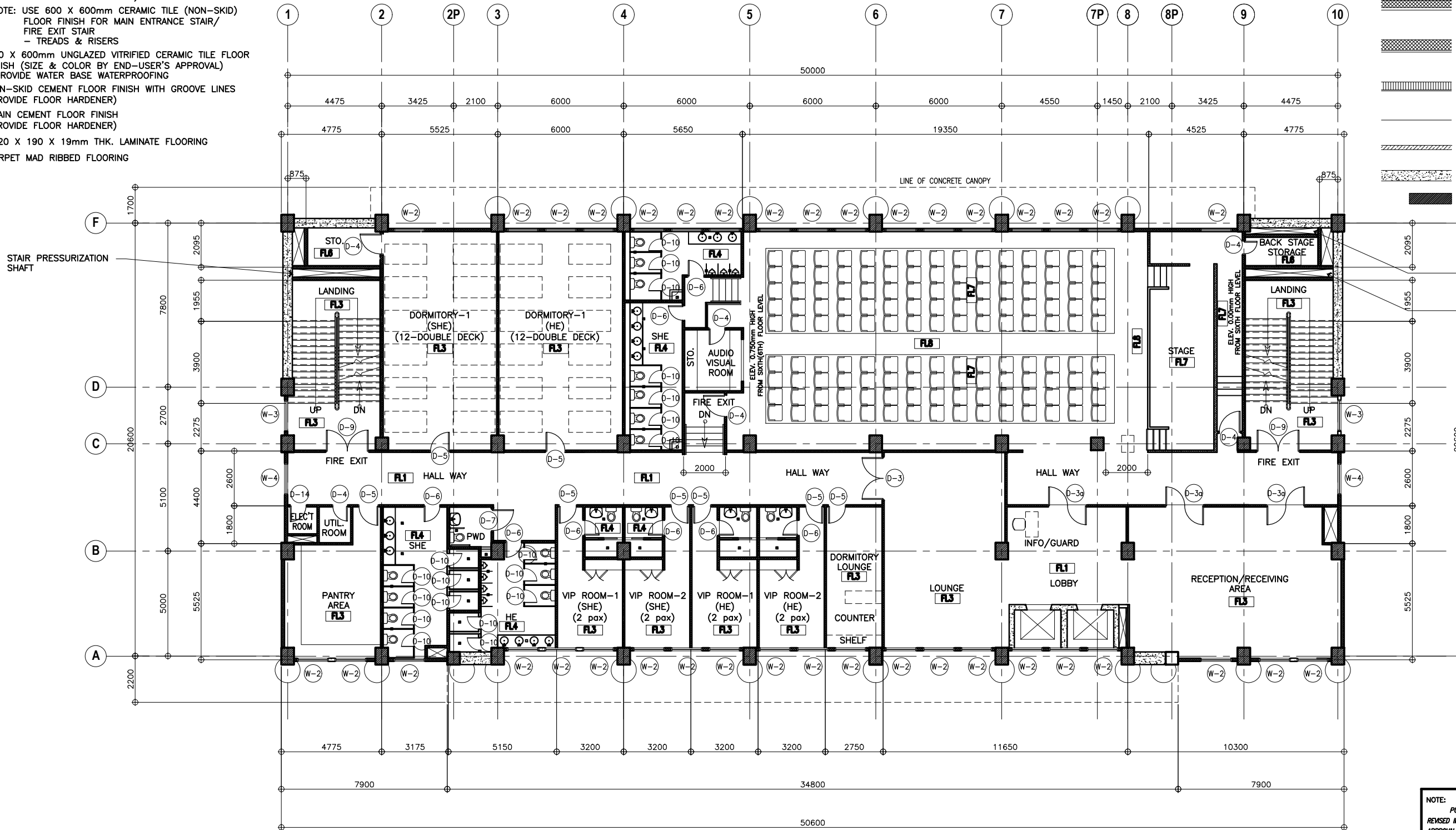
	PREPARED BY:	SUBMITTED BY:		REVIEWED AS TO DESIGN CONCEPT:	RECOMMENDING APPROVAL:	APPROVED:	CONCURRED:	PROJECT & LOCATION / BARANGAY:	SHEET CONTENTS:	SET NO.	SHEET NO.
	ARMAN U. CUEVAS <small>ARCHITECTURAL DESIGN POSITION: ARCHITECT PRC No.: 0018876 TIN No.: 907-359-364 PTR No.: 4020896</small>	CYNTHIA CLEMEN A. YU <small>ARCHITECT/TEAM LEADER</small>		REPUBLIC OF THE PHILIPPINES DEPARTMENT OF PUBLIC WORKS AND HIGHWAYS BUREAU OF DESIGN BUILDINGS DIVISION <small>BONIFACIO DRIVE PORT AREA, MANILA</small>	JOSEPHINE P. ISTURIS <small>CHIEF, BUILDINGS DIVISION, BOD</small>	LEA N. DELFINADO, CESO IV <small>OFFICER-IN-CHARGE</small>	EMIL K. SADAIN, CESO I <small>UNDERSECRETARY FOR UPMO OPERATIONS & TECHNICAL SERVICES</small>	ROWENA CANDICE M. RUIZ <small>EXECUTIVE DIRECTOR</small>	PROPOSED: PROPOSED SEVEN (7) STOREY GOVERNMENT PROCUREMENT POLICY BOARD (GPPB) <small>UP DILIMAN COMPOUND, DILIMAN, QUEZON CITY</small>	FIFTH FLOOR PLAN	BOD A-7

SCHEDULE OF FLOOR FINISHES:

- FL1** 900 X 900mm POLISHED SYNTHETIC GRANITE TILE FLOOR FINISH
- FL2** 600 X 600mm TEXTURED CERAMIC TILE (NON-SKID) FLOOR FINISH-OUTDOOR TYPE (SUBMIT SAMPLE FOR APPROVAL) -PROVIDE WATER BASE WATERPROOFING FOR TERRACE
- FL3** 600 X 600mm CERAMIC TILE FLOOR FINISH (SUBMIT SAMPLE FOR APPROVAL)
(NOTE: USE 600 X 600mm CERAMIC TILE (NON-SKID) FLOOR FINISH FOR MAIN ENTRANCE STAIR/FIRE EXIT STAIR - TREADS & RISERS)
- FL4** 600 X 600mm UNGLAZED VITRIFIED CERAMIC TILE FLOOR FINISH (SIZE & COLOR BY END-USER'S APPROVAL) -PROVIDE WATER BASE WATERPROOFING
- FL5** NON-SKID CEMENT FLOOR FINISH WITH GROOVE LINES (PROVIDE FLOOR HARDENER)
- FL6** PLAIN CEMENT FLOOR FINISH (PROVIDE FLOOR HARDENER)
- FL7** 1820 X 190 X 19mm THK. LAMINATE FLOORING
- FL8** CARPET MAD RIBBED FLOORING

SCHEDULE OF WALL FINISHES:

- WF1** 150mm THK. CHB W/ PLAIN CEMENT PLASTER (PAINTED FINISH)
- WF2** 100mm THK. CHB W/ PLAIN CEMENT PLASTER (PAINTED FINISH)
- WF3** 100mm THK. CHB W/ 600x600mm VITRIFIED WALL TILES (GLAZED)
- WF4** 150mm THK. CHB W/ 600x600mm VITRIFIED WALL TILES (GLAZED)
- WF5** 100mm THK. CHB W/ 1820x190x19mm THK. WALL PANELS
- WF6** 12mm THK. TEMPERED GLASS
- WF7** DRYWALL PAINTED FINISH
- WF8** REINFORCED CONCRETE WALL
- REINFORCED CONCRETE COLUMN



NOTE:
PURSUANT TO SECTION 4 OF ANNEX "A" OF THE REVISED IMPLEMENTING RULES AND REGULATION OF R.A. 9184, APPROVAL BY THE AUTHORIZED DPWH OFFICIALS OF DETAILED ENGINEERING SURVEYS AND DESIGN UNDERTAKEN BY CONSULTANTS NEITHER DIMINISHES THE RESPONSIBILITY OF THE LATTE FOR THE TECHNICAL INTEGRITY OF THE SURVEYS AND DESIGN NOR TRANSFER ANY PART OF THAT RESPONSIBILITY TO THE APPROVING OFFICIALS.

THE DESIGN CONSULTANT SHALL BE HELD FULLY RESPONSIBLE FOR THE FAILURE OF THE FACILITY/IES/STRUCTURES DUE TO FAULTY DESIGN EXCEPT FOR THE CHANGES MADE WITHOUT THE CONFORMITY OF THE CONSULTANTS.

1 SIXTH FLOOR PLAN
A-8 SCALE 1:100M

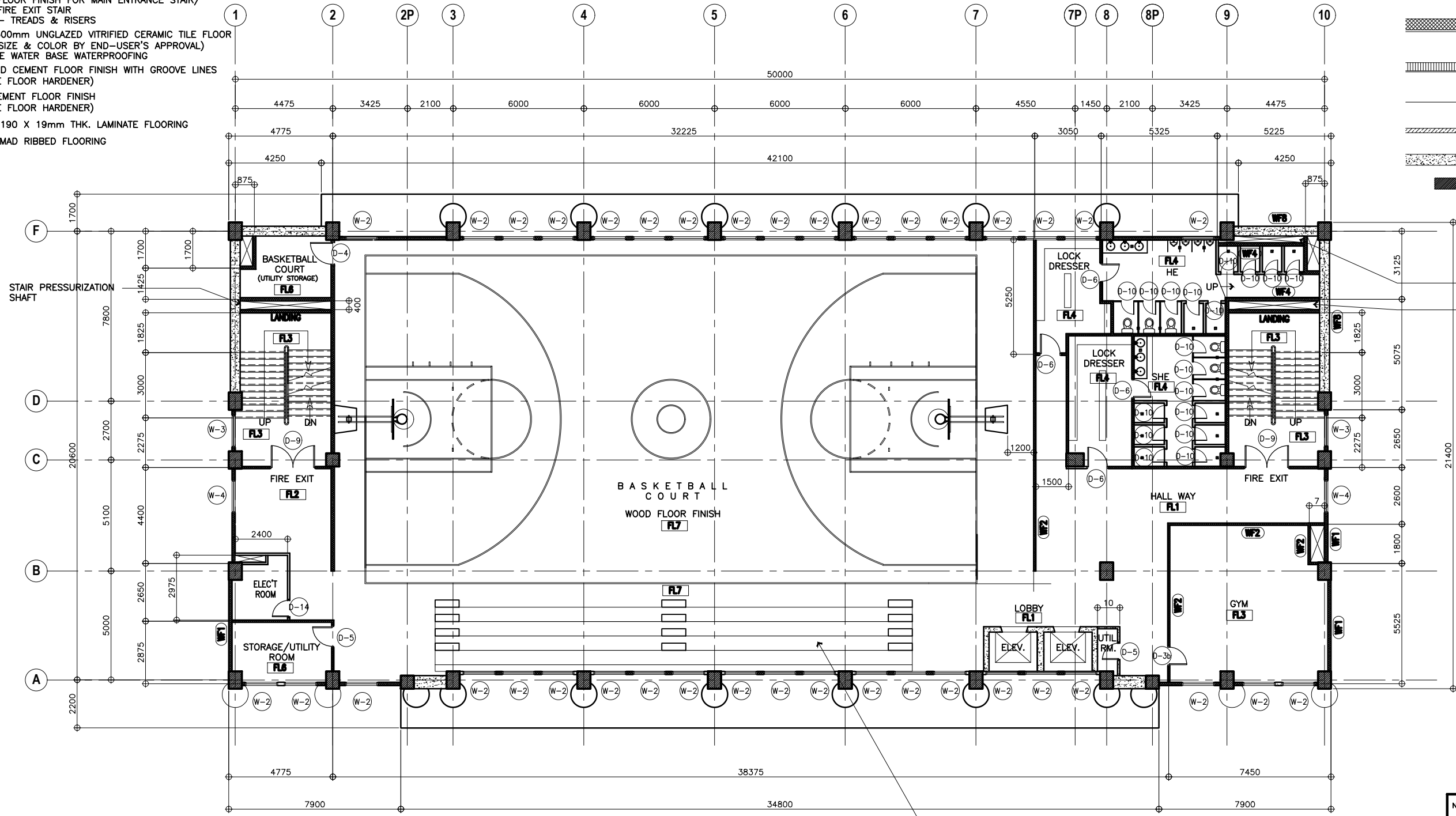
<p>UNITED TECHNOLOGIES CONSOLIDATED PARTNERSHIP</p>	PREPARED BY:	SUBMITTED BY:	<p>REPUBLIC OF THE PHILIPPINES DEPARTMENT OF PUBLIC WORKS AND HIGHWAYS BUREAU OF DESIGN BUILDINGS DIVISION BONIFACIO DRIVE PORT AREA, MANILA</p>	REVIEWED AS TO DESIGN CONCEPT:	RECOMMENDING APPROVAL:	APPROVED:	CONCURRED:	PROJECT & LOCATION / BARANGAY:	SHEET CONTENTS:	SET NO.	SHEET NO.
	<p>ARMAN U. CUEVAS ARCHITECTURAL DESIGN POSITION: ARCHITECT PRC No.: 0018676 TIN No.: 907-359-364 PTR No.: 4022895</p>	<p>CYNTHIA CLEMEN A. YU ARCHITECT/TEAM LEADER</p>		<p>JOSEPHINE P. ISTURIS CHIEF, BUILDINGS DIVISION, BOD</p>	<p>LEA N. DELFINADO, CESO IV OFFICER-IN-CHARGE</p>	<p>EMIL K. SADAIN, CESO I UNDERSECRETARY FOR UPMO OPERATIONS & TECHNICAL SERVICES</p>	<p>ROWENA CANDICE M. RUIZ EXECUTIVE DIRECTOR</p>	<p>PROPOSED SEVEN (7) STOREY GOVERNMENT PROCUREMENT POLICY BOARD (GPPB) UP DILIMAN COMPOUND, DILIMAN, QUEZON CITY</p>	<p>SIXTH FLOOR PLAN</p>	<p>BOD A-8</p>	<p>10 216</p>

SCHEDULE OF FLOOR FINISHES:

- FL1** 900 X 900mm POLISHED SYNTHETIC GRANITE TILE FLOOR FINISH
- FL2** 600 X 600mm TEXTURED CERAMIC TILE (NON-SKID) FLOOR FINISH-OUTDOOR TYPE (SUBMIT SAMPLE FOR APPROVAL) -PROVIDE WATER BASE WATERPROOFING FOR TERRACE
- FL3** 600 X 600mm CERAMIC TILE FLOOR FINISH (SUBMIT SAMPLE FOR APPROVAL)
(NOTE: USE 600 X 600mm CERAMIC TILE (NON-SKID) FLOOR FINISH FOR MAIN ENTRANCE STAIR/FIRE EXIT STAIR - TREADS & RISERS)
- FL4** 600 X 600mm UNGLAZED VITRIFIED CERAMIC TILE FLOOR FINISH (SIZE & COLOR BY END-USER'S APPROVAL) -PROVIDE WATER BASE WATERPROOFING
- FL5** NON-SKID CEMENT FLOOR FINISH WITH GROOVE LINES (PROVIDE FLOOR HARDENER)
- FL6** PLAIN CEMENT FLOOR FINISH (PROVIDE FLOOR HARDENER)
- FL7** 1820 X 190 X 19mm THK. LAMINATE FLOORING
- FL8** CARPET MAD RIBBED FLOORING

SCHEDULE OF WALL FINISHES:

- WF1** 150mm THK. CHB W/ PLAIN CEMENT PLASTER (PAINTED FINISH)
- WF2** 100mm THK. CHB W/ PLAIN CEMENT PLASTER (PAINTED FINISH)
- WF3** 100mm THK. CHB W/ 600x600mm VITRIFIED WALL TILES (GLAZED)
- WF4** 150mm THK. CHB W/ 600x600mm VITRIFIED WALL TILES (GLAZED)
- WF5** 100mm THK. CHB W/ 1820x190x19mm THK. WALL PANELS
- WF6** 12mm THK. TEMPERED GLASS
- WF7** DRYWALL PAINTED FINISH
- WF8** REINFORCED CONCRETE WALL
- RC** REINFORCED CONCRETE COLUMN



REFRIGERANT PIPE SHAFT
STAIR PRESSURIZATION SHAFT

STEEL RETRACTABLE BLEACHER

NOTE:
PURSUANT TO SECTION 4 OF ANNEX "A" OF THE REVISED IMPLEMENTING RULES AND REGULATION OF R.A. 9184, APPROVAL BY THE AUTHORIZED DPWH OFFICIALS OF DETAILED ENGINEERING SURVEYS AND DESIGN UNDERTAKEN BY CONSULTANTS NEITHER DIMINISHES THE RESPONSIBILITY OF THE LATTER FOR THE TECHNICAL INTEGRITY OF THE SURVEYS AND DESIGN NOR TRANSFER ANY PART OF THAT RESPONSIBILITY TO THE APPROVING OFFICIALS.

THE DESIGN CONSULTANT SHALL BE HELD FULLY RESPONSIBLE FOR THE FAILURE OF THE FACILITY/IES/STRUCTURES DUE TO FAULTY DESIGN EXCEPT FOR THE CHANGES MADE WITHOUT THE CONFORMITY OF THE CONSULTANTS.

1 SEVENTH FLOOR PLAN
SCALE 1:100M

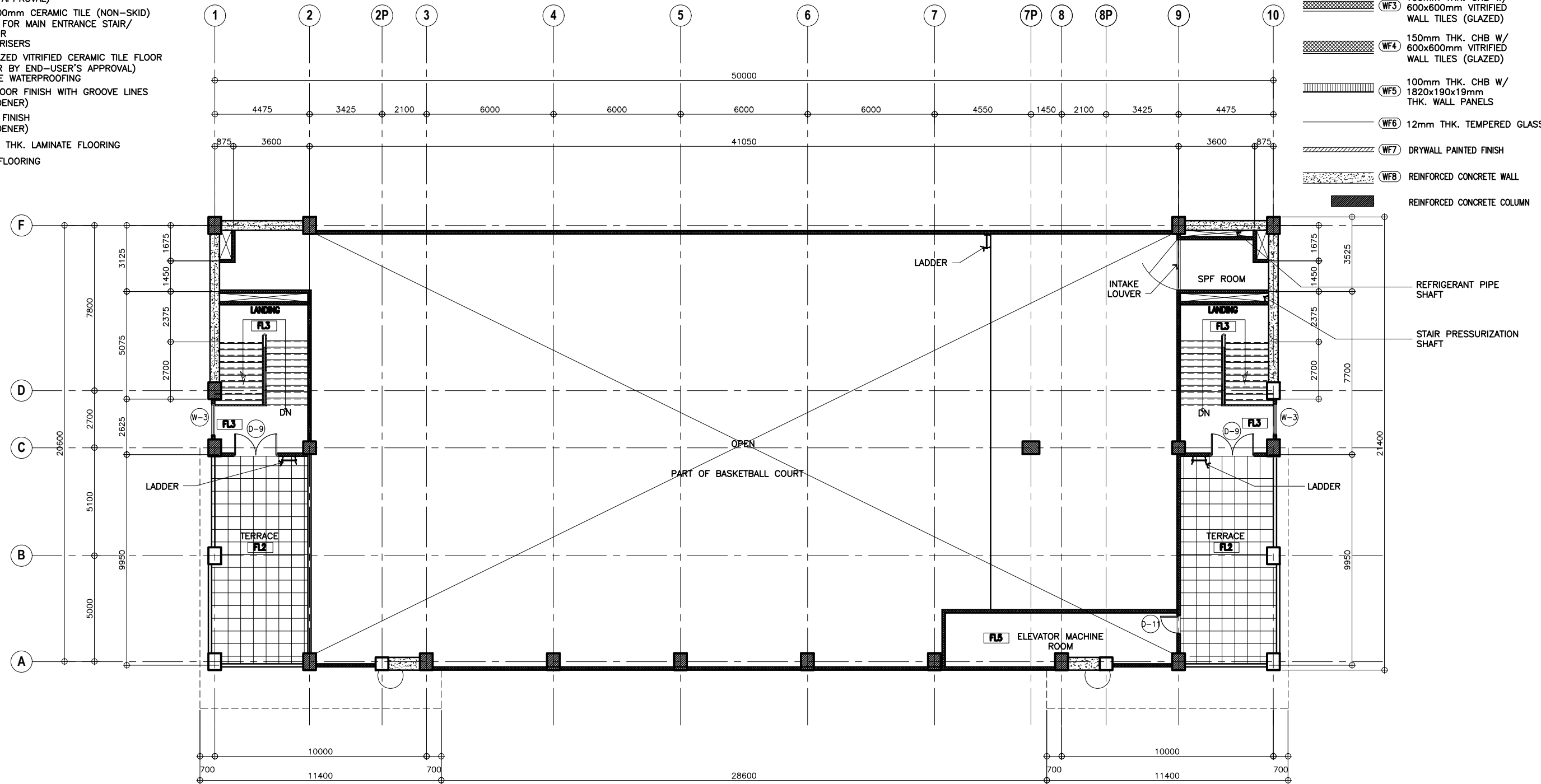
	PREPARED BY:	SUBMITTED BY:		REVIEWED AS TO DESIGN CONCEPT:	RECOMMENDING APPROVAL:	APPROVED:	CONCURRED:	PROJECT & LOCATION / BARANGAY:	SHEET CONTENTS:	SET NO.	SHEET NO.
	ARMAN U. CUEVAS <small>ARCHITECTURAL DESIGN POSITION: ARCHITECT PRC No.: 0018676 TIN No.: 907-359-364 PTR No.: 4022896</small>	CYNTHIA CLEMEN A. YU <small>ARCHITECT/TEAM LEADER</small>		REPUBLIC OF THE PHILIPPINES DEPARTMENT OF PUBLIC WORKS AND HIGHWAYS BUREAU OF DESIGN BUILDINGS DIVISION <small>BONIFACIO DRIVE PORT AREA, MANILA</small>	JOSEPHINE P. ISTURIS <small>CHIEF, BUILDINGS DIVISION, BOD</small>	LEA N. DELFINADO, CESO IV <small>OFFICER-IN-CHARGE</small>	EMIL K. SADAIN, CESO I <small>UNDERSECRETARY FOR UPMO OPERATIONS & TECHNICAL SERVICES</small>	ROWENA CANDICE M. RUIZ <small>EXECUTIVE DIRECTOR</small>	PROPOSED SEVEN (7) STOREY GOVERNMENT PROCUREMENT POLICY BOARD (GPPB) <small>UP DILIMAN COMPOUND, DILIMAN, QUEZON CITY</small>	SEVENTH FLOOR PLAN	BOD A-9

SCHEDULE OF FLOOR FINISHES:

- FL1 900 X 900mm POLISHED SYNTHETIC GRANITE TILE FLOOR FINISH
- FL2 600 X 600mm TEXTURED CERAMIC TILE (NON-SKID) FLOOR FINISH-OUTDOOR TYPE (SUBMIT SAMPLE FOR APPROVAL) -PROVIDE WATER BASE WATERPROOFING FOR TERRACE
- FL3 600 X 600mm CERAMIC TILE FLOOR FINISH (SUBMIT SAMPLE FOR APPROVAL)
(NOTE: USE 600 X 600mm CERAMIC TILE (NON-SKID) FLOOR FINISH FOR MAIN ENTRANCE STAIR/FIRE EXIT STAIR - TREADS & RISERS)
- FL4 600 X 600mm UNGLAZED VITRIFIED CERAMIC TILE FLOOR FINISH (SIZE & COLOR BY END-USER'S APPROVAL) -PROVIDE WATER BASE WATERPROOFING
- FL5 NON-SKID CEMENT FLOOR FINISH WITH GROOVE LINES (PROVIDE FLOOR HARDENER)
- FL6 PLAIN CEMENT FLOOR FINISH (PROVIDE FLOOR HARDENER)
- FL7 1820 X 190 X 19mm THK. LAMINATE FLOORING
- FL8 CARPET MAD RIBBED FLOORING

SCHEDULE OF WALL FINISHES:

- WF1 150mm THK. CHB W/ PLAIN CEMENT PLASTER (PAINTED FINISH)
- WF2 100mm THK. CHB W/ PLAIN CEMENT PLASTER (PAINTED FINISH)
- WF3 100mm THK. CHB W/ 600x600mm VITRIFIED WALL TILES (GLAZED)
- WF4 150mm THK. CHB W/ 600x600mm VITRIFIED WALL TILES (GLAZED)
- WF5 100mm THK. CHB W/ 1820x190x19mm THK. WALL PANELS
- WF6 12mm THK. TEMPERED GLASS
- WF7 DRYWALL PAINTED FINISH
- WF8 REINFORCED CONCRETE WALL
- REINFORCED CONCRETE COLUMN



NOTE:
PURSUANT TO SECTION 4 OF ANNEX "A" OF THE REVISED IMPLEMENTING RULES AND REGULATION OF R.A. 9184, APPROVAL BY THE AUTHORIZED DPWH OFFICIALS OF DETAILED ENGINEERING SURVEYS AND DESIGN UNDERTAKEN BY CONSULTANTS NEITHER DIMINISHES THE RESPONSIBILITY OF THE LETTER FOR THE TECHNICAL INTEGRITY OF THE SURVEYS AND DESIGN NOR TRANSFER ANY PART OF THAT RESPONSIBILITY TO THE APPROVING OFFICIALS.

THE DESIGN CONSULTANT SHALL BE HELD FULLY RESPONSIBLE FOR THE FAILURE OF THE FACILITY/ES/STRUCTURES DUE TO FAULTY DESIGN EXCEPT FOR THE CHANGES MADE WITHOUT THE CONFORMITY OF THE CONSULTANTS.

1 DECK ROOF PLAN
A-10 SCALE 1:100M

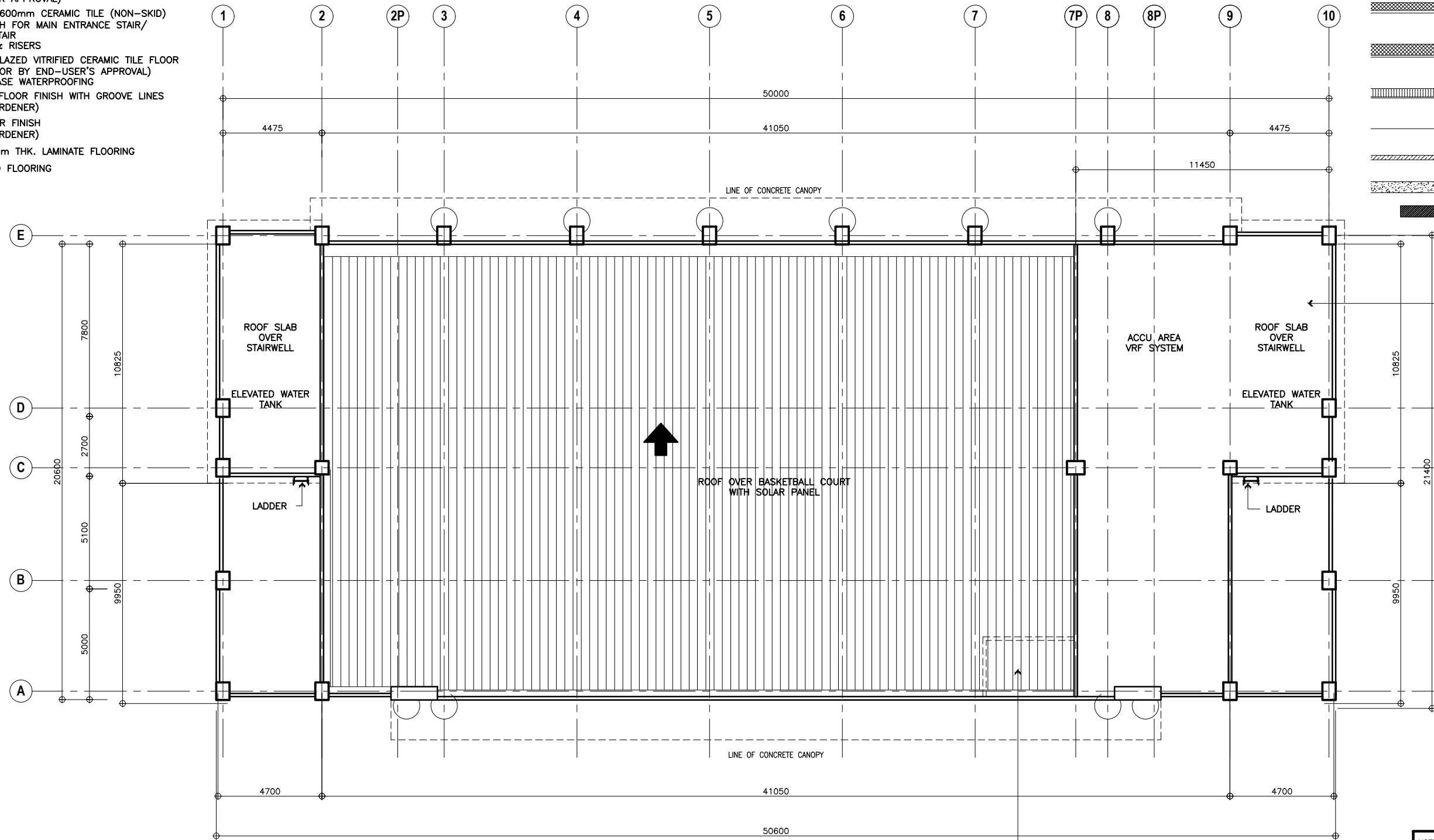
	PREPARED BY:	SUBMITTED BY:		REVIEWED AS TO DESIGN CONCEPT:	RECOMMENDING APPROVAL:	APPROVED:	CONCURRED:	PROJECT & LOCATION / BARANGAY:	SHEET CONTENTS:	SET NO.	SHEET NO.
	ARMAN U. CUEVAS ARCHITECTURAL DESIGN POSITION: ARCHITECT PRC No.: 0018676 TIN No.: 907-359-364 PTR No.: 4020896	CYNTHIA CLEMEN A. YU ARCHITECT/TEAM LEADER		REPUBLIC OF THE PHILIPPINES DEPARTMENT OF PUBLIC WORKS AND HIGHWAYS BUREAU OF DESIGN BUILDINGS DIVISION BONIFACIO DRIVE PORT AREA, MANILA	JOSEPHINE P. ISTURIS CHIEF, BUILDINGS DIVISION, BOD	LEA N. DELFINADO, CESO IV OFFICER-IN-CHARGE	EMIL K. SADAIN, CESO I UNDERSECRETARY FOR UPMO OPERATIONS & TECHNICAL SERVICES	ROWENA CANDICE M. RUIZ EXECUTIVE DIRECTOR	PROPOSED: PROPOSED SEVEN (7) STOREY GOVERNMENT PROCUREMENT POLICY BOARD (GPPB) UP DILIMAN COMPOUND, DILIMAN, QUEZON CITY	DECK ROOF PLAN	BOD A-10

SCHEDULE OF FLOOR FINISHES:

- FL1 900 X 900mm POLISHED SYNTHETIC GRANITE TILE FLOOR FINISH
- FL2 600 X 600mm TEXTURED CERAMIC TILE (NON-SKID) FLOOR FINISH-OUTDOOR TYPE (SUBMIT SAMPLE FOR APPROVAL) -PROVIDE WATER BASE WATERPROOFING FOR TERRACE
- FL3 600 X 600mm CERAMIC TILE FLOOR FINISH (SUBMIT SAMPLE FOR APPROVAL)
(NOTE: USE 600 X 600mm CERAMIC TILE (NON-SKID) FLOOR FINISH FOR MAIN ENTRANCE STAIR/ FIRE EXIT STAIR - TREADS & RISERS)
- FL4 600 X 600mm UNGLAZED VITRIFIED CERAMIC TILE FLOOR FINISH (SIZE & COLOR BY END-USER'S APPROVAL) -PROVIDE WATER BASE WATERPROOFING
- FL5 NON-SKID CEMENT FLOOR FINISH WITH GROOVE LINES (PROVIDE FLOOR HARDENER)
- FL6 PLAIN CEMENT FLOOR FINISH (PROVIDE FLOOR HARDENER)
- FL7 1820 X 190 X 19mm THK. LAMINATE FLOORING
- FL8 CARPET MAD RIBBED FLOORING

SCHEDULE OF WALL FINISHES:

- WF1 150mm THK. CHB W/ PLAIN CEMENT PLASTER (PAINTED FINISH)
- WF2 100mm THK. CHB W/ PLAIN CEMENT PLASTER (PAINTED FINISH)
- WF3 100mm THK. CHB W/ 600x600mm VITRIFIED WALL TILES (GLAZED)
- WF4 150mm THK. CHB W/ 600x600mm VITRIFIED WALL TILES (GLAZED)
- WF5 100mm THK. CHB W/ 1820x190x19mm THK. WALL PANELS
- WF6 12mm THK. TEMPERED GLASS
- WF7 DRYWALL PAINTED FINISH
- WF8 REINFORCED CONCRETE WALL
- REINFORCED CONCRETE COLUMN

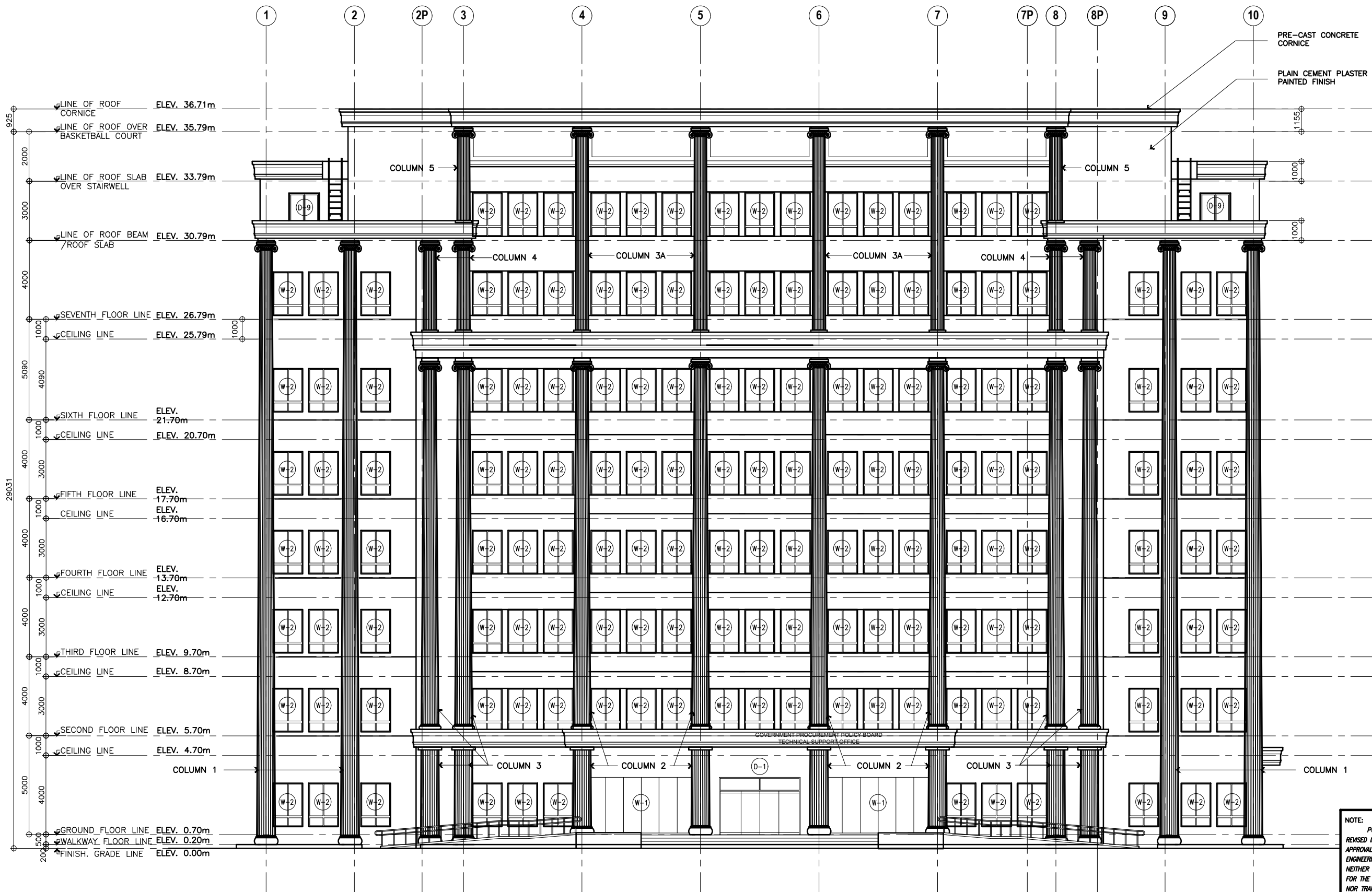


1 ROOF PLAN
A-11 SCALE 1:100M

NOTE:
PURSUANT TO SECTION 4 OF ANNEX "A" OF THE REVISED IMPLEMENTING RULES AND REGULATION OF R.A. 9184, APPROVAL BY THE AUTHORIZED DPWH OFFICIALS OF DETAILED ENGINEERING SURVEYS AND DESIGN UNDERTAKEN BY CONSULTANTS NEITHER DIMINISHES THE RESPONSIBILITY OF THE LETTER FOR THE TECHNICAL INTEGRITY OF THE SURVEYS AND DESIGN NOR TRANSFER ANY PART OF THAT RESPONSIBILITY TO THE APPROVING OFFICIALS.

THE DESIGN CONSULTANT SHALL BE HELD FULLY RESPONSIBLE FOR THE FAILURE OF THE FACILITY/ES/STRUCTURES DUE TO FAULTY DESIGN EXCEPT FOR THE CHANGES MADE WITHOUT THE CONFORMITY OF THE CONSULTANTS.

	PREPARED BY:	SUBMITTED BY:		REVIEWED AS TO DESIGN CONCEPT:	RECOMMENDING APPROVAL:	APPROVED:	CONCURRED:	PROJECT & LOCATION / BARANGAY:	SHEET CONTENTS:	SET NO.	SHEET NO.
	ARMAN U. CUEVAS <small>ARCHITECTURAL DESIGN POSITION: ARCHITECT PRC No.: 0018676 TIN No.: 907-359-364 PTR No.: 4020896</small>	CYNTHIA CLEMEN A. YU <small>ARCHITECT/TEAM LEADER</small>		REPUBLIC OF THE PHILIPPINES DEPARTMENT OF PUBLIC WORKS AND HIGHWAYS BUREAU OF DESIGN BUILDINGS DIVISION <small>BONIFACIO DRIVE PORT AREA, MANILA</small>	JOSEPHINE P. ISTURIS <small>CHIEF, BUILDINGS DIVISION, BOD</small>	LEA N. DELFINADO, CESO IV <small>OFFICER-IN-CHARGE</small>	EMIL K. SADAIN, CESO I <small>UNDERSECRETARY FOR UPMO OPERATIONS & TECHNICAL SERVICES</small>	ROWENA CANDICE M. RUIZ <small>EXECUTIVE DIRECTOR</small>	PROPOSED: PROPOSED SEVEN (7) STOREY GOVERNMENT PROCUREMENT POLICY BOARD (GPPB) UP DILIMAN COMPOUND, DILIMAN, QUEZON CITY	ROOF PLAN	BOD A-11



NOTE: PURSUANT TO SECTION 4 OF ANNEX "A" OF THE REVISED IMPLEMENTING RULES AND REGULATION OF R.A. 9184, APPROVAL BY THE AUTHORIZED DPWH OFFICIALS OF DETAILED ENGINEERING SURVEYS AND DESIGN UNDERTAKEN BY CONSULTANTS NEITHER DIMINISHES THE RESPONSIBILITY OF THE LATTER FOR THE TECHNICAL INTEGRITY OF THE SURVEYS AND DESIGN NOR TRANSFER ANY PART OF THAT RESPONSIBILITY TO THE APPROVING OFFICIALS.

THE DESIGN CONSULTANT SHALL BE HELD FULLY RESPONSIBLE FOR THE FAILURE OF THE FACILITY/IES/STRUCTURES DUE TO FAULTY DESIGN EXCEPT FOR THE CHANGES MADE WITHOUT THE CONFORMITY OF THE CONSULTANTS.

1 FRONT ELEVATION
A-12 SCALE 1:100M

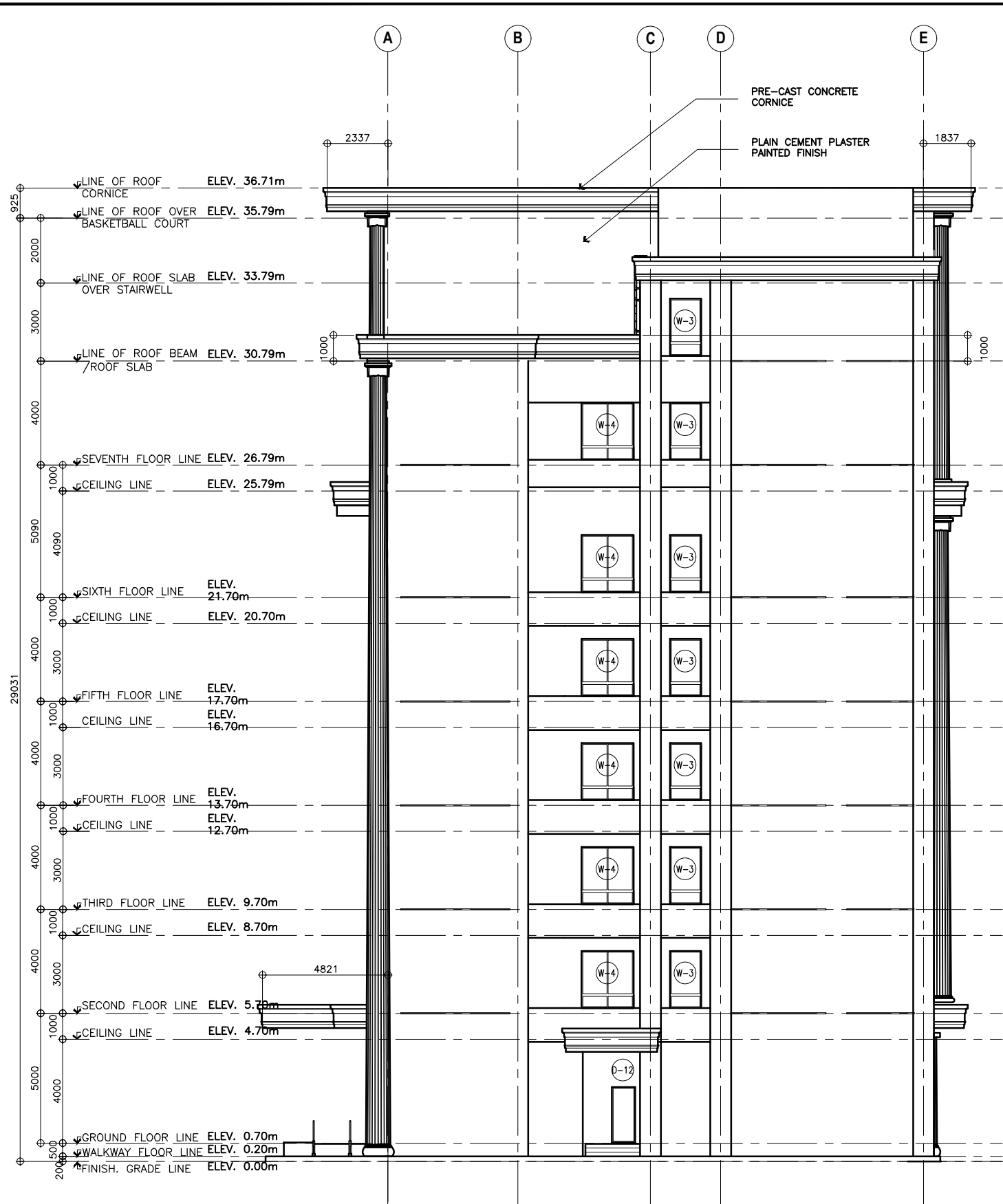
	PREPARED BY:	SUBMITTED BY:		REVIEWED AS TO DESIGN CONCEPT:	RECOMMENDING APPROVAL:	APPROVED:	CONCURRED:	PROJECT & LOCATION / BARANGAY:	SHEET CONTENTS:	SET NO.	SHEET NO.
	ARMAN U. CUEVAS <small>ARCHITECTURAL DESIGN POSITION: ARCHITECT PRC No.: 0018576 TIN No.: 907-359-304 PTR No.: 4020896</small>	CYNTHIA CLEMEN A. YU <small>ARCHITECT/TEAM LEADER</small>		REPUBLIC OF THE PHILIPPINES DEPARTMENT OF PUBLIC WORKS AND HIGHWAYS BUREAU OF DESIGN BUILDINGS DIVISION <small>BONIFACIO DRIVE PORT AREA, MANILA</small>	JOSEPHINE P. ISTURIS <small>CHIEF, BUILDINGS DIVISION, BOD</small>	(SEE COVER SHEET) LEA N. DELFINADO, CESO IV <small>OFFICER-IN-CHARGE</small>	(SEE COVER SHEET) EMIL K. SADAIN, CESO I <small>UNDERSECRETARY FOR UPMO OPERATIONS & TECHNICAL SERVICES</small>	(SEE COVER SHEET) ROWENA CANDICE M. RUIZ <small>EXECUTIVE DIRECTOR</small>	PROPOSED: PROPOSED SEVEN (7) STOREY GOVERNMENT PROCUREMENT POLICY BOARD (GPPB) <small>UP DILIMAN COMPOUND, DILIMAN, QUEZON CITY</small>	FRONT ELEVATION	BOD A-12



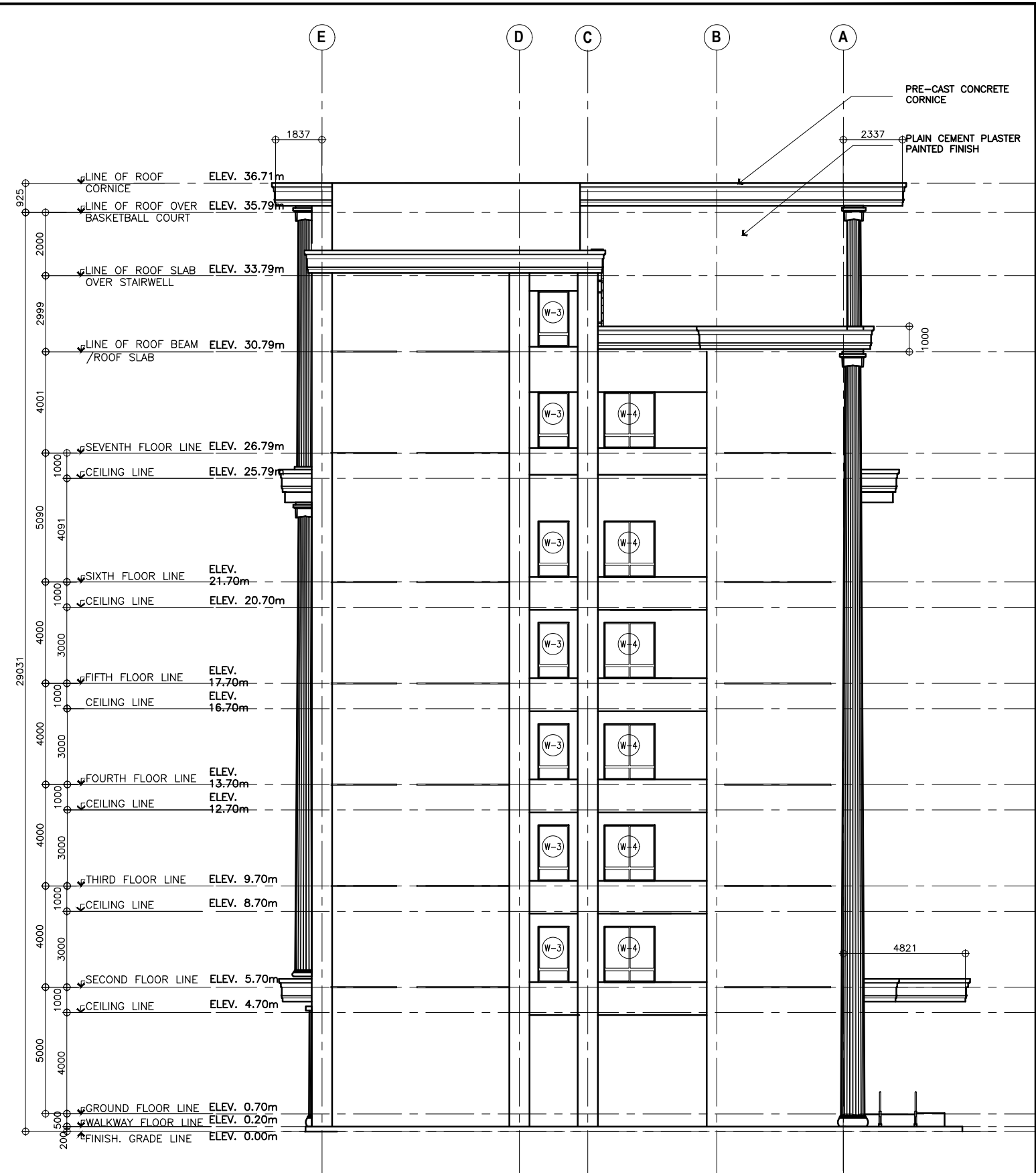
1 REAR ELEVATION
A-13 SCALE 1:100M

NOTE: PURSUANT TO SECTION 4 OF ANNEX "A" OF THE REVISED IMPLEMENTING RULES AND REGULATION OF R.A. 9184, APPROVAL BY THE AUTHORIZED DPWH OFFICIALS OF DETAILED ENGINEERING SURVEYS AND DESIGN UNDERTAKEN BY CONSULTANTS NEITHER DIMINISHES THE RESPONSIBILITY OF THE LATTER FOR THE TECHNICAL INTEGRITY OF THE SURVEYS AND DESIGN NOR TRANSFER ANY PART OF THAT RESPONSIBILITY TO THE APPROVING OFFICIALS. THE DESIGN CONSULTANT SHALL BE HELD FULLY RESPONSIBLE FOR THE FAILURE OF THE FACILITY/IES/STRUCTURES DUE TO FAULTY DESIGN EXCEPT FOR THE CHANGES MADE WITHOUT THE CONFORMITY OF THE CONSULTANTS.

	PREPARED BY:	SUBMITTED BY:		REVIEWED AS TO DESIGN CONCEPT:	RECOMMENDING APPROVAL:	APPROVED:	CONCURRED:	PROJECT & LOCATION / BARANGAY:	SHEET CONTENTS:	SET NO.	SHEET NO.
	ARMAN U. CUEVAS <small>ARCHITECTURAL DESIGN POSITION: ARCHITECT PRC No.: 0018576 TPN No.: 907-359-304 PTR No.: 4020896</small>	CYNTHIA CLEMEN A. YU <small>ARCHITECT/TEAM LEADER</small>		REPUBLIC OF THE PHILIPPINES DEPARTMENT OF PUBLIC WORKS AND HIGHWAYS BUREAU OF DESIGN BUILDINGS DIVISION <small>BONIFACIO DRIVE PORT AREA, MANILA</small>	JOSEPHINE P. ISTURIS <small>CHIEF, BUILDINGS DIVISION, BOD</small>	LEA N. DELFINADO, CESO IV <small>OFFICER-IN-CHARGE</small>	EMIL K. SADAIN, CESO I <small>UNDERSECRETARY FOR UPMO OPERATIONS & TECHNICAL SERVICES</small>	ROWENA CANDICE M. RUIZ <small>EXECUTIVE DIRECTOR</small>	PROPOSED SEVEN (7) STOREY GOVERNMENT PROCUREMENT POLICY BOARD (GPPB) <small>UP DILIMAN COMPOUND, DILIMAN, QUEZON CITY</small>	REAR ELEVATION	BOD A-13



1 RIGHT SIDE ELEVATION
A-14 SCALE 1:100M



2 LEFT SIDE ELEVATION
A-14 SCALE 1:100M



PREPARED BY:
ARMAN U. CUEVAS
ARCHITECTURAL DESIGN
POSITION: ARCHITECT
PRC No.: 0018676 TIN No.: 907-359-364
PTR No.: 4020896

SUBMITTED BY:
CYNTHIA CLEMEN A. YU
ARCHITECT/TEAM LEADER



REPUBLIC OF THE PHILIPPINES
DEPARTMENT OF PUBLIC WORKS AND HIGHWAYS
BUREAU OF DESIGN
BUILDINGS DIVISION
BONIFACIO DRIVE PORT AREA, MANILA

REVIEWED AS TO DESIGN CONCEPT:
JOSEPHINE P. ISTURIS
CHIEF BUILDINGS DIVISION, BOD

RECOMMENDING APPROVAL:
(SEE COVER SHEET)
LEA N. DELFINADO, CESO IV
OFFICER-IN-CHARGE

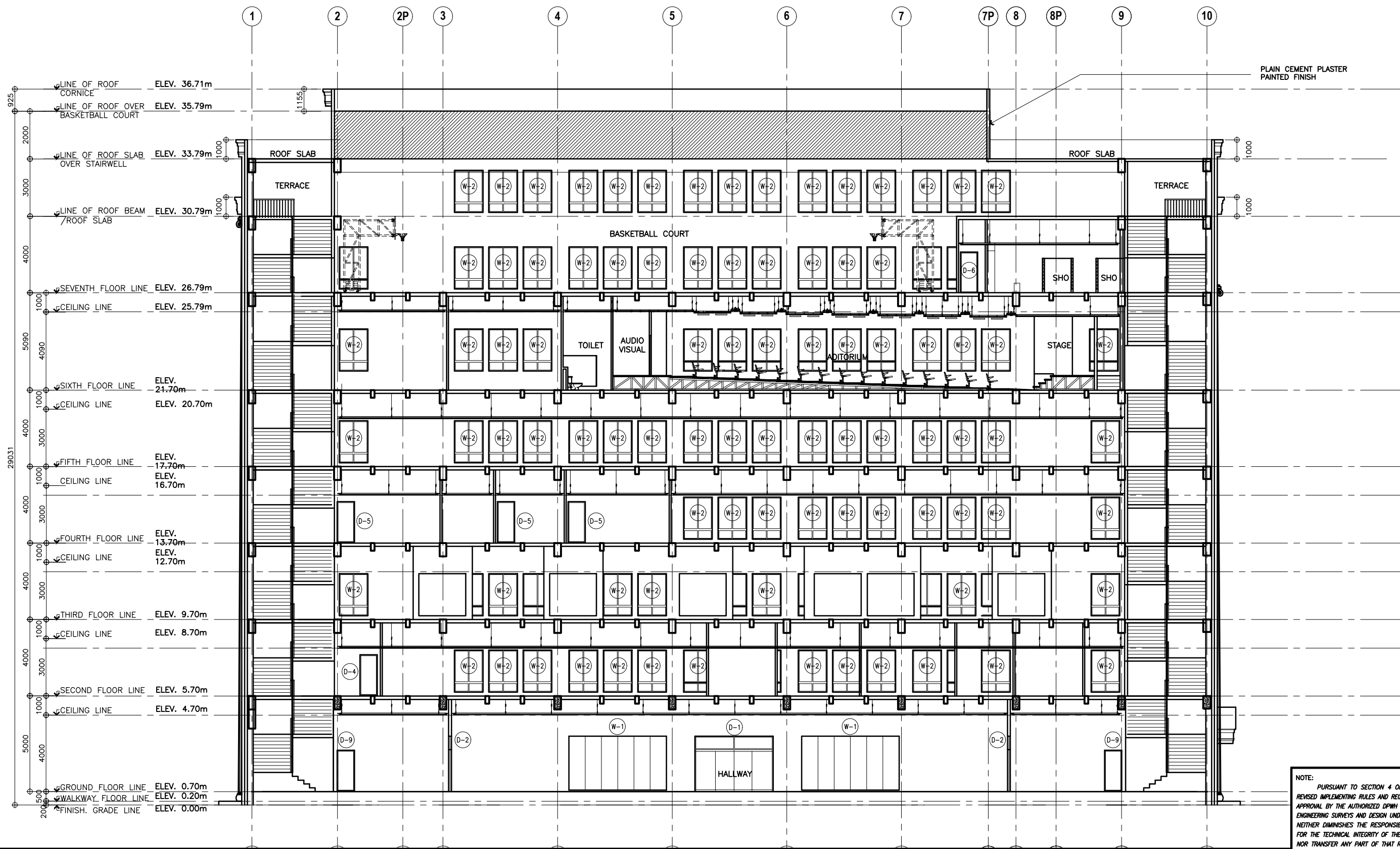
APPROVED:
(SEE COVER SHEET)
EMIL K. SADAIN, CESO I
UNDERSECRETARY FOR UPMO OPERATIONS & TECHNICAL SERVICES

CONCURRED:
(SEE COVER SHEET)
ROWENA CANDICE M. RUIZ
EXECUTIVE DIRECTOR

PROJECT & LOCATION / BARANGAY:
PROPOSED:
PROPOSED SEVEN (7) STOREY GOVERNMENT PROCUREMENT POLICY BOARD (GPPB)
UP DILIMAN COMPOUND, DILIMAN, QUEZON CITY

SHEET CONTENTS:
RIGHT SIDE ELEVATION, LEFT SIDE ELEVATION

SET NO. SHEET NO.
BOD A-14 16
216

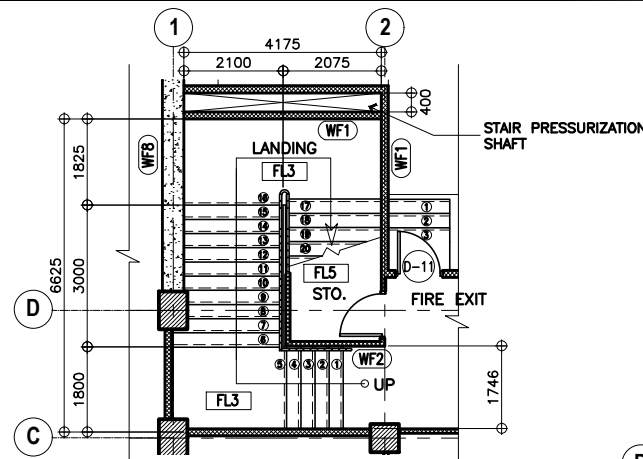


1 CROSS SECTION
A-15 SCALE 1:100M

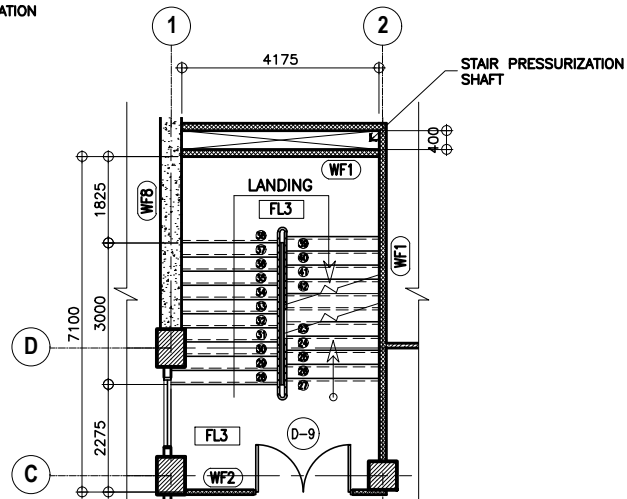
NOTE:
PURSUANT TO SECTION 4 OF ANNEX "A" OF THE REVISED IMPLEMENTING RULES AND REGULATION OF R.A. 9184, APPROVAL BY THE AUTHORIZED DPWH OFFICIALS OF DETAILED ENGINEERING SURVEYS AND DESIGN UNDERTAKEN BY CONSULTANTS NEITHER DIMINISHES THE RESPONSIBILITY OF THE LATTER FOR THE TECHNICAL INTEGRITY OF THE SURVEYS AND DESIGN NOR TRANSFER ANY PART OF THAT RESPONSIBILITY TO THE APPROVING OFFICIALS.

THE DESIGN CONSULTANT SHALL BE HELD FULLY RESPONSIBLE FOR THE FAILURE OF THE FACILITY/IES/STRUCTURES DUE TO FAULTY DESIGN EXCEPT FOR THE CHANGES MADE WITHOUT THE CONFORMITY OF THE CONSULTANTS.

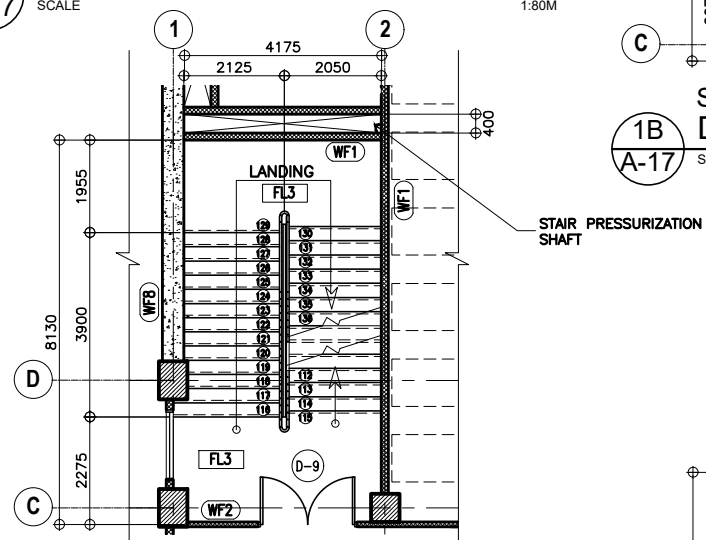
	PREPARED BY:	SUBMITTED BY:		REVIEWED AS TO DESIGN CONCEPT:	RECOMMENDING APPROVAL:	APPROVED:	CONCURRED:	PROJECT & LOCATION / BARANGAY:	SHEET CONTENTS:	SET NO.	SHEET NO.
	ARMAN U. CUEVAS <small>ARCHITECTURAL DESIGN POSITION: ARCHITECT PRC No.: 0018676 TIN No.: 907-359-364 PTR No.: 4020896</small>	CYNTHIA CLEMEN A. YU <small>ARCHITECT/TEAM LEADER</small>		REPUBLIC OF THE PHILIPPINES DEPARTMENT OF PUBLIC WORKS AND HIGHWAYS BUREAU OF DESIGN <small>BUILDINGS DIVISION BONIFACIO DRIVE PORT AREA, MANILA</small>	JOSEPHINE P. ISTURIS <small>CHIEF, BUILDINGS DIVISION, BOD</small>	LEA N. DELFINADO, CESO IV <small>OFFICER-IN-CHARGE</small>	EMIL K. SADAIN, CESO I <small>UNDERSECRETARY FOR UPMO OPERATIONS & TECHNICAL SERVICES</small>	ROWENA CANDICE M. RUIZ <small>EXECUTIVE DIRECTOR</small>	PROPOSED: PROPOSED SEVEN (7) STOREY GOVERNMENT PROCUREMENT POLICY BOARD (GPPB) UP DILIMAN COMPOUND, DILIMAN, QUEZON CITY	CROSS SECTION	BOD A-15



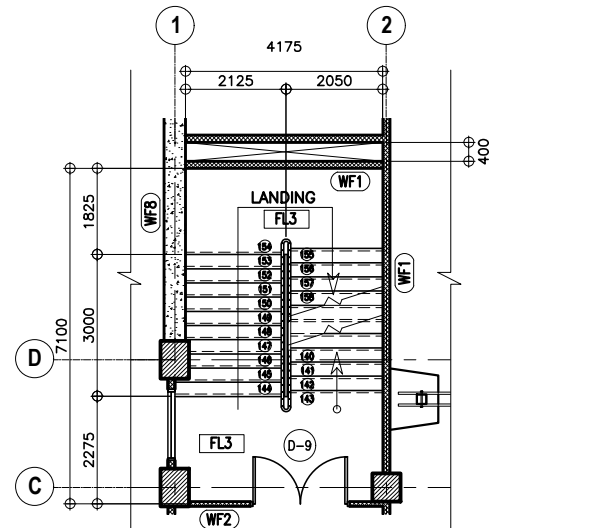
1A
GROUND FLOOR TO SECOND FLOOR
DET. PLAN OF FIRE ESCAPE STAIR
SCALE 1:80M



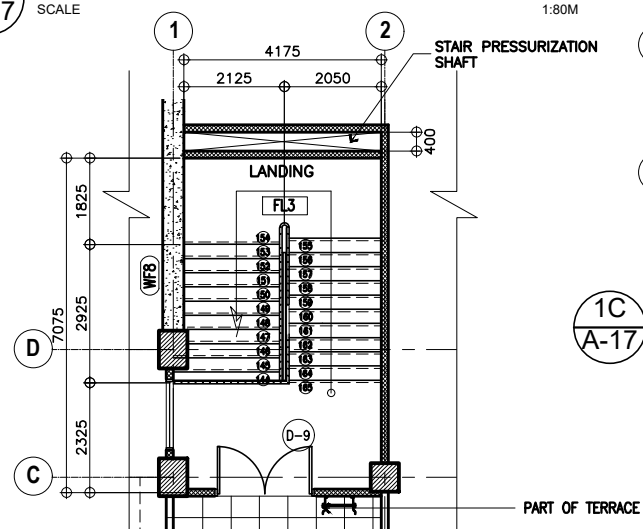
1B
SECOND TO SIXTH FLOOR
DET. PLAN OF FIRE ESCAPE STAIR
SCALE 1:80M



1C
SIXTH FLOOR TO SEVENTH FLOOR
DET. PLAN OF FIRE ESCAPE STAIR
SCALE 1:80M

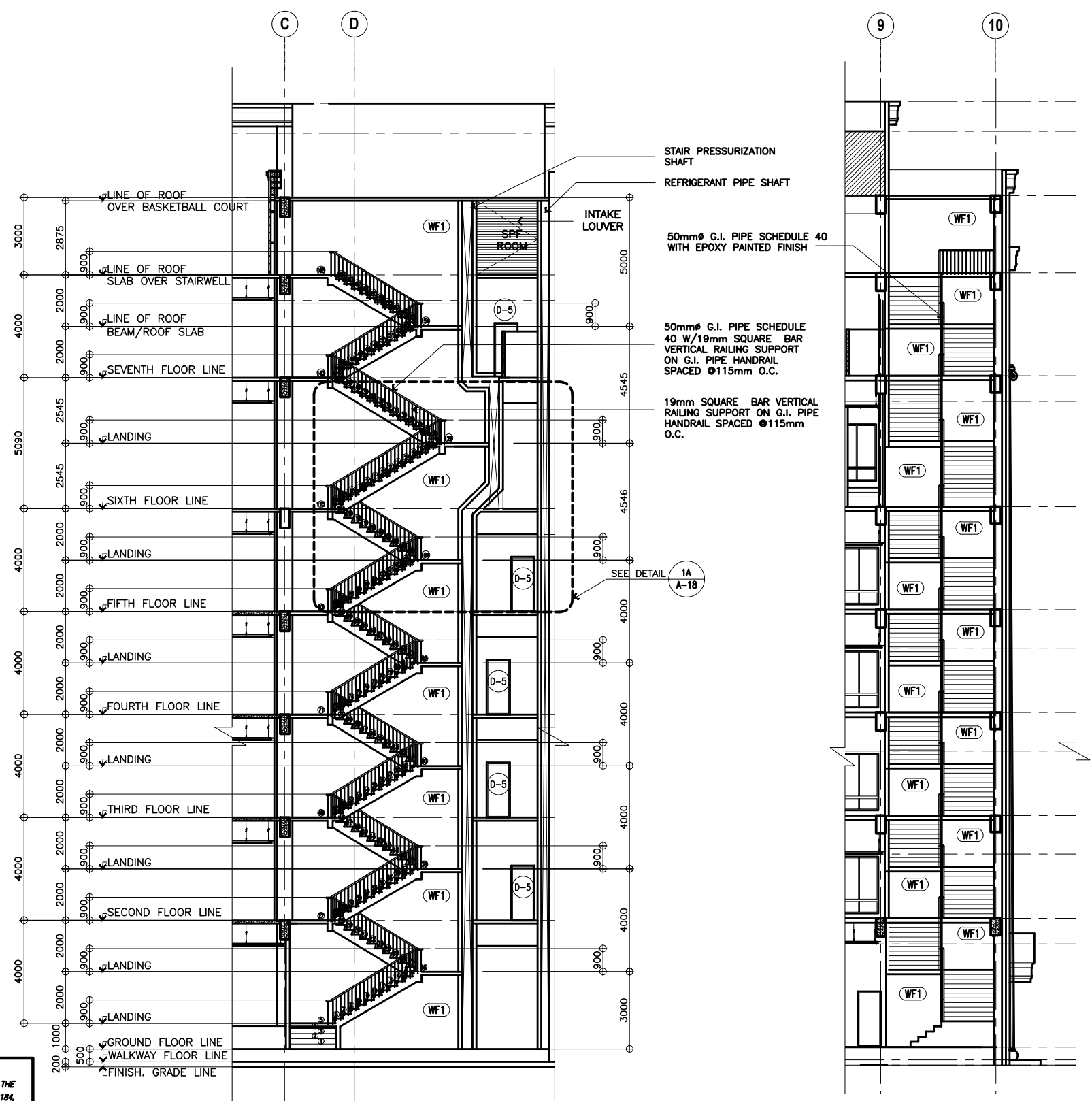


1C
SEVENTH FLOOR TO DECK ROOF
DET. PLAN OF FIRE ESCAPE STAIR
SCALE 1:80M



1E
DECK ROOF
DET. PLAN OF FIRE ESCAPE STAIR
SCALE 1:80M

1
DETAIL OF FIRE ESCAPE PLAN
SCALE 1:80M



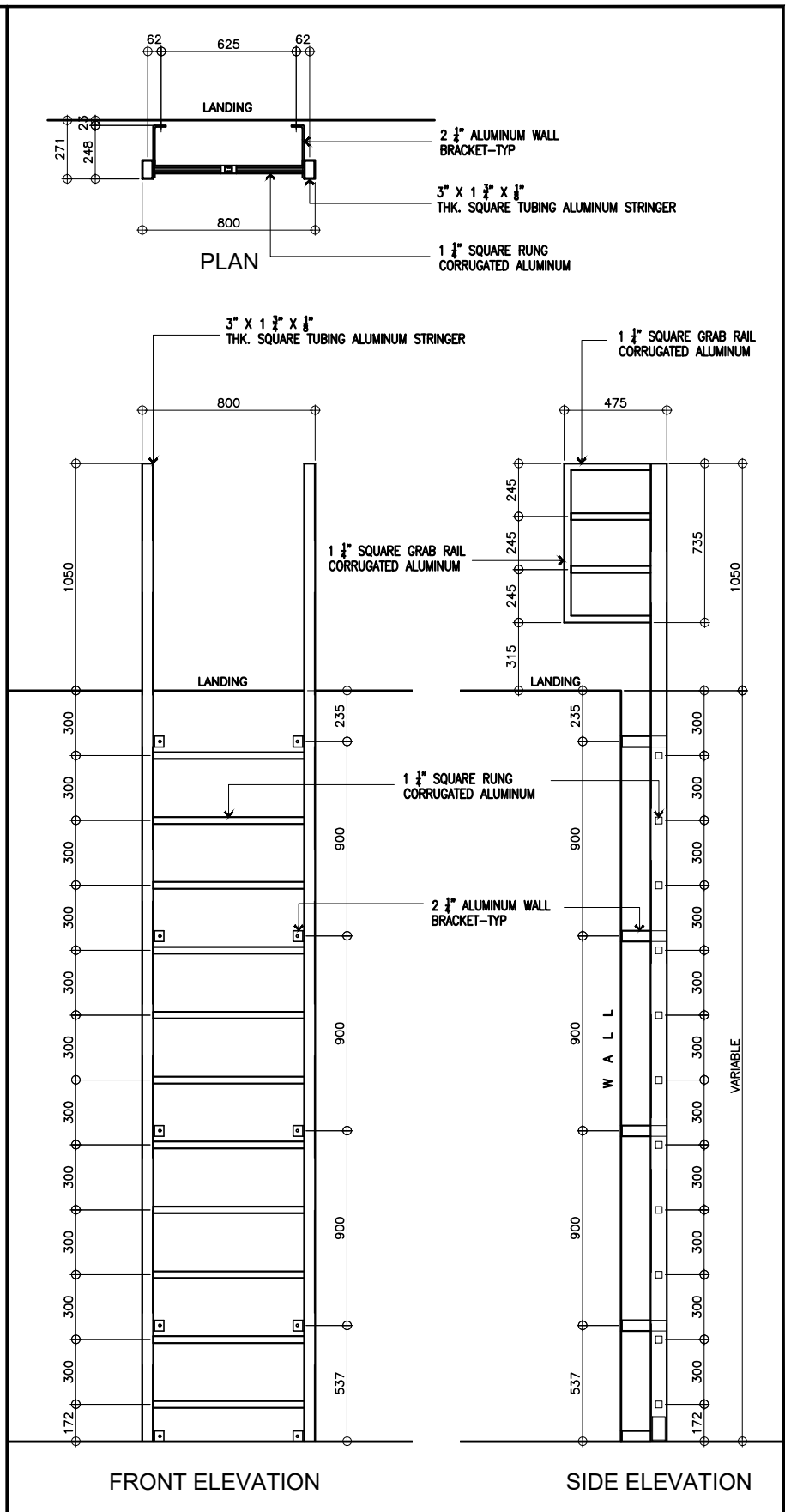
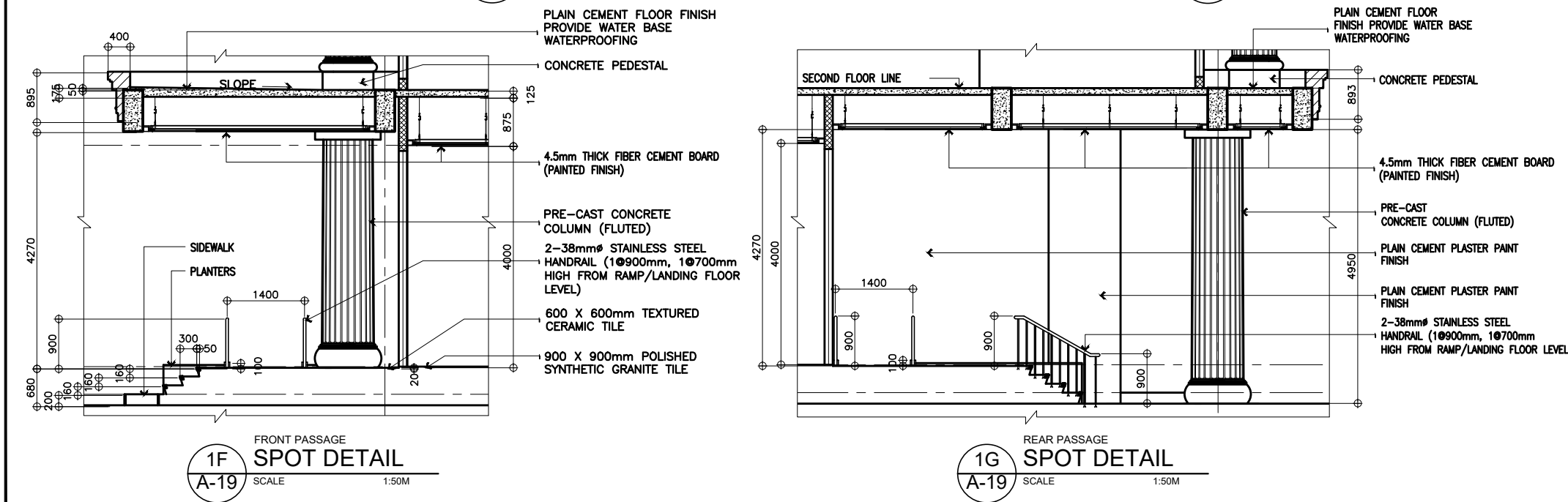
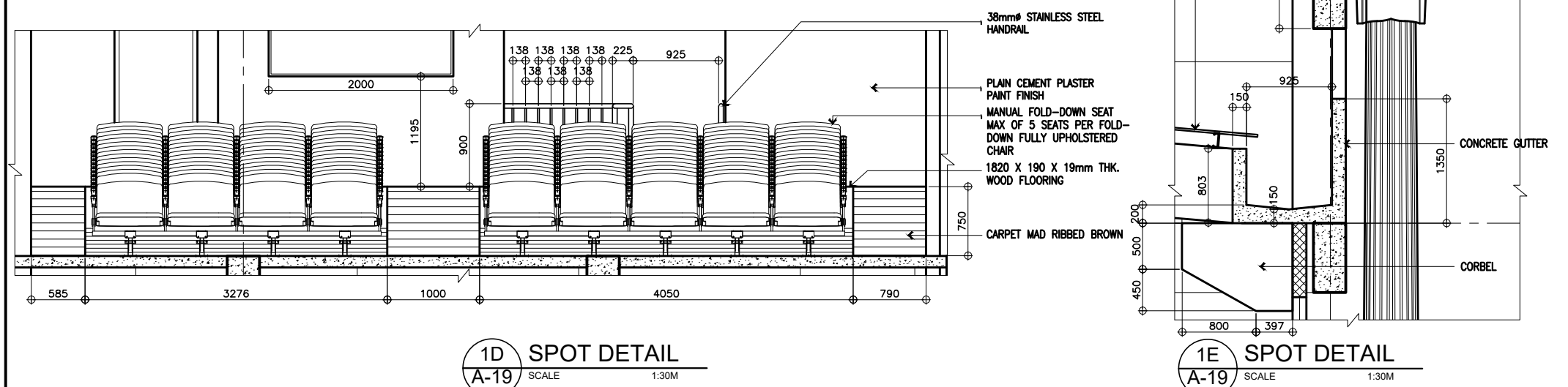
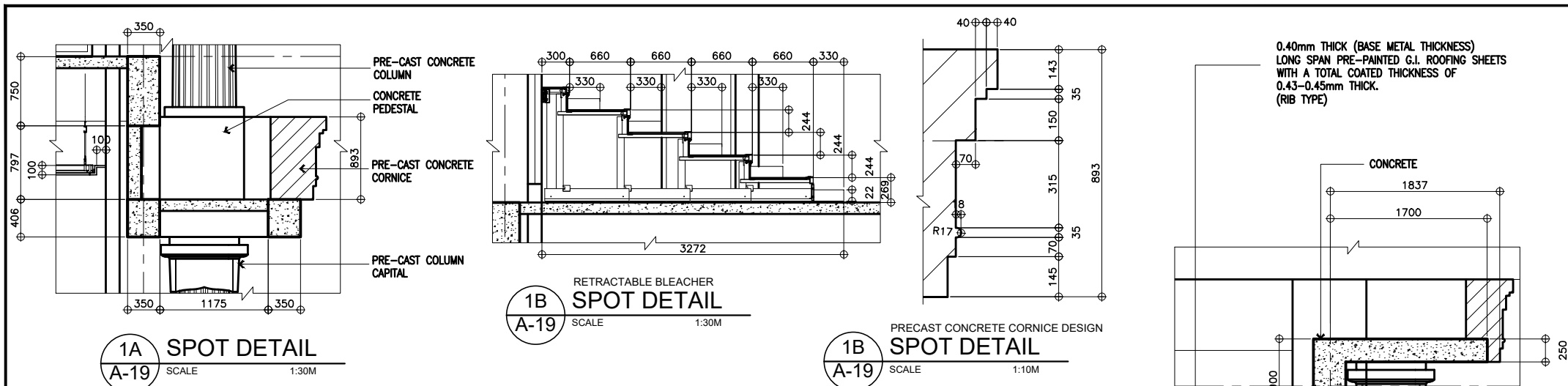
ELEVATION - B

ELEVATION - A

2
DETAIL OF FIRE ESCAPE ELEVATION
SCALE 1:100M

NOTE:
PURSUANT TO SECTION 4 OF ANNEX "A" OF THE REVISED IMPLEMENTING RULES AND REGULATION OF R.A. 9184, APPROVAL BY THE AUTHORIZED DPWH OFFICIALS OF DETAILED ENGINEERING SURVEYS AND DESIGN UNDERTAKEN BY CONSULTANTS NEITHER DIMINISHES THE RESPONSIBILITY OF THE LATTER FOR THE TECHNICAL INTEGRITY OF THE SURVEYS AND DESIGN NOR TRANSFER ANY PART OF THAT RESPONSIBILITY TO THE APPROVING OFFICIALS.

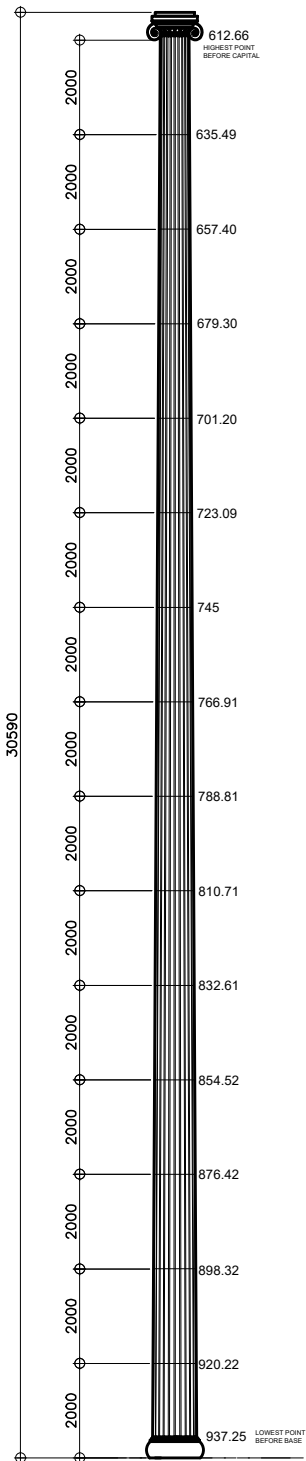
THE DESIGN CONSULTANT SHALL BE HELD FULLY RESPONSIBLE FOR THE FAILURE OF THE FACILITY/IES/STRUCTURES DUE TO FAULTY DESIGN EXCEPT FOR THE CHANGES MADE WITHOUT THE CONFORMITY OF THE CONSULTANTS.



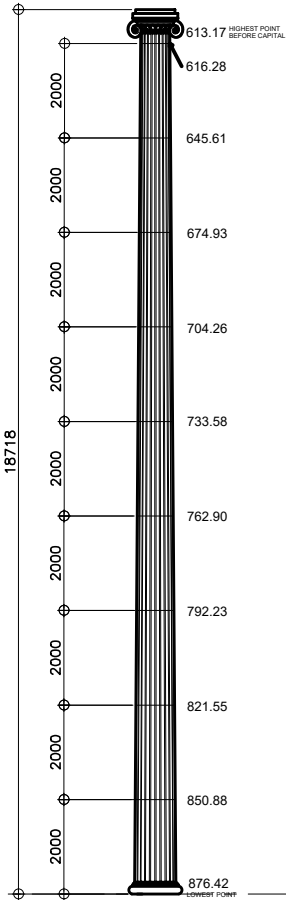
1 SPOT DETAILS
A-19 SCALE AS SHOWN

2 LADDER DETAIL
A-19 SCALE 1:10M

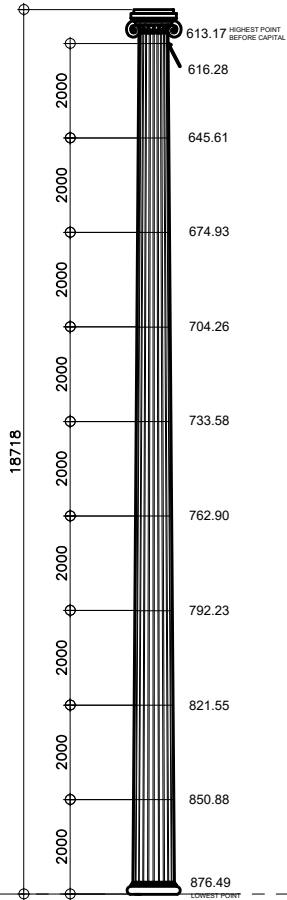
<p>UNITED TECHNOLOGIES CONSOLIDATED PARTNERSHIP</p>	<p>PREPARED BY: ARMAN U. CUEVAS ARCHITECTURAL DESIGN POSITION: ARCHITECT PRC No.: 0018676 TIN No.: 907-359-364 PTR No.: 4020896</p>	<p>SUBMITTED BY: CYNTHIA CLEMEN A. YU ARCHITECT/TEAM LEADER</p>	<p>REPUBLIC OF THE PHILIPPINES DEPARTMENT OF PUBLIC WORKS AND HIGHWAYS BUREAU OF DESIGN BUILDINGS DIVISION BONIFACIO DRIVE PORT AREA, MANILA</p>	<p>REVIEWED AS TO DESIGN CONCEPT: JOSEPHINE P. ISTURIS CHIEF, BUILDINGS DIVISION, BOD</p>	<p>RECOMMENDING APPROVAL: (SEE COVER SHEET) LEA N. DELFINADO, CESO IV OFFICER-IN-CHARGE</p>	<p>APPROVED: (SEE COVER SHEET) EMIL K. SADAIN, CESO I UNDERSECRETARY FOR UPMO OPERATIONS & TECHNICAL SERVICES</p>	<p>CONCURRED: (SEE COVER SHEET) ROWENA CANDICE M. RUIZ EXECUTIVE DIRECTOR</p>	<p>PROJECT & LOCATION / BARANGAY: PROPOSED: PROPOSED SEVEN (7) STOREY GOVERNMENT PROCUREMENT POLICY BOARD (GPPB) UP DILIMAN COMPOUND, DILIMAN, QUEZON CITY</p>	<p>SHEET CONTENTS: SPOT DETAILS, LADDER DETAIL</p>	<p>SET NO. BOD A-19</p>	<p>SHEET NO. 21 216</p>
	<p>UNITED TECHNOLOGIES CONSOLIDATED PARTNERSHIP</p>										



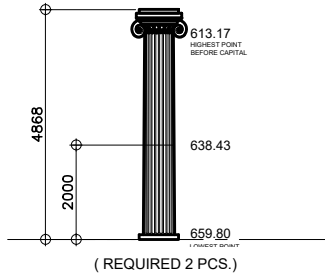
1A COLUMN 1
SCALE: 1:80M
(REQUIRED 4 PCS.)



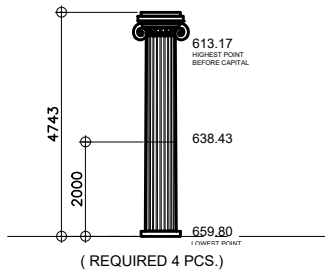
1B COLUMN 2
SCALE: 1:80M
(REQUIRED 4 PCS.)



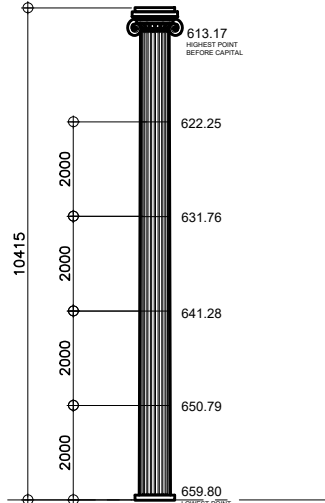
1C COLUMN 3
SCALE: 1:80M
(REQUIRED 10 PCS.)



1F COLUMN 5
SCALE: 1:80M
(REQUIRED 2 PCS.)

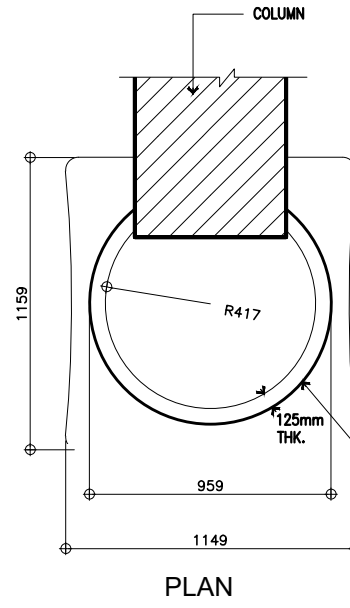


1E COLUMN 4
SCALE: 1:80M
(REQUIRED 4 PCS.)

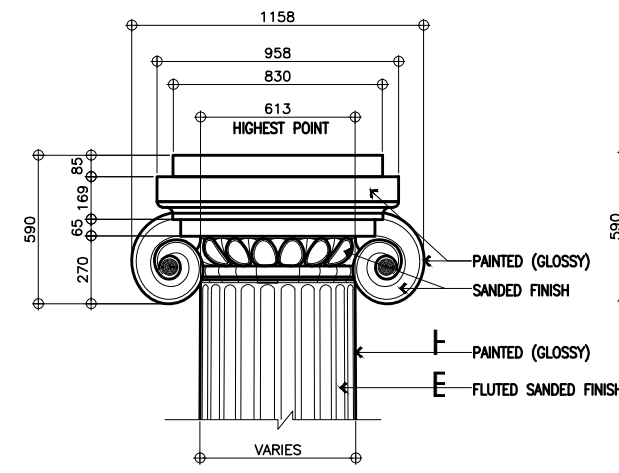


1D COLUMN 3A
SCALE: 1:80M
(REQUIRED 10 PCS.)

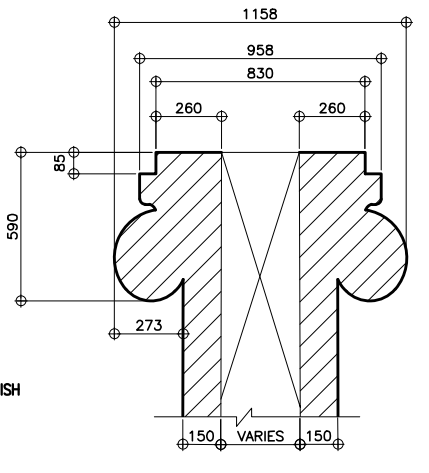
1 PRE-CAST COLUMN DETAILS
SCALE: AS SHOWN



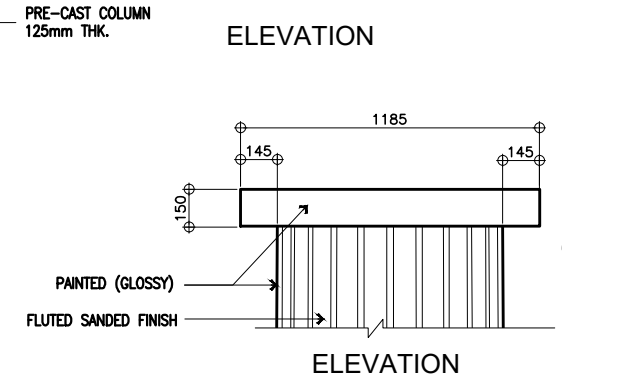
PLAN



ELEVATION

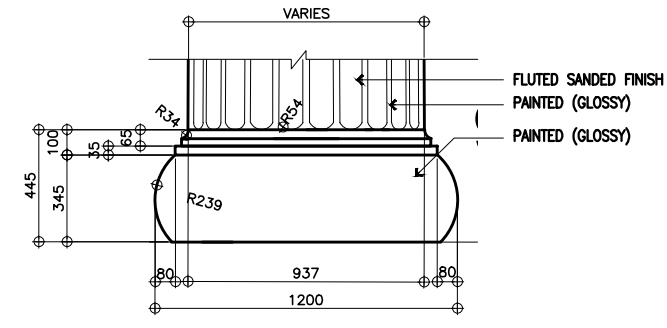


SECTION



ELEVATION

2B TYPICAL COLUMN (CAPITAL)
SCALE: 1:15M



2A TYPICAL COLUMN (BASE)
SCALE: 1:15M

2 SPOT DETAILS
SCALE: AS SHOWN

NOTE:
PURSUANT TO SECTION 4 OF ANNEX "A" OF THE REVISED IMPLEMENTING RULES AND REGULATION OF R.A. 9184, APPROVAL BY THE AUTHORIZED DPWH OFFICIALS OF DETAILED ENGINEERING SURVEYS AND DESIGN UNDERTAKEN BY CONSULTANTS NEITHER DIMINISHES THE RESPONSIBILITY OF THE LATTER FOR THE TECHNICAL INTEGRITY OF THE SURVEYS AND DESIGN NOR TRANSFER ANY PART OF THAT RESPONSIBILITY TO THE APPROVING OFFICIALS.

THE DESIGN CONSULTANT SHALL BE HELD FULLY RESPONSIBLE FOR THE FAILURE OF THE FACILITY/ES/STRUCTURES DUE TO FAULTY DESIGN EXCEPT FOR THE CHANGES MADE WITHOUT THE CONFORMITY OF THE CONSULTANTS.







NOTE:
PURSUANT TO SECTION 4 OF ANNEX "A" OF THE REVISED IMPLEMENTING RULES AND REGULATION OF R.A. 9184, APPROVAL BY THE AUTHORIZED DPWH OFFICIALS OF DETAILED ENGINEERING SURVEYS AND DESIGN UNDERTAKEN BY CONSULTANTS NEITHER DIMINISHES THE RESPONSIBILITY OF THE LATTER FOR THE TECHNICAL INTEGRITY OF THE SURVEYS AND DESIGN NOR TRANSFER ANY PART OF THAT RESPONSIBILITY TO THE APPROVING OFFICIALS.

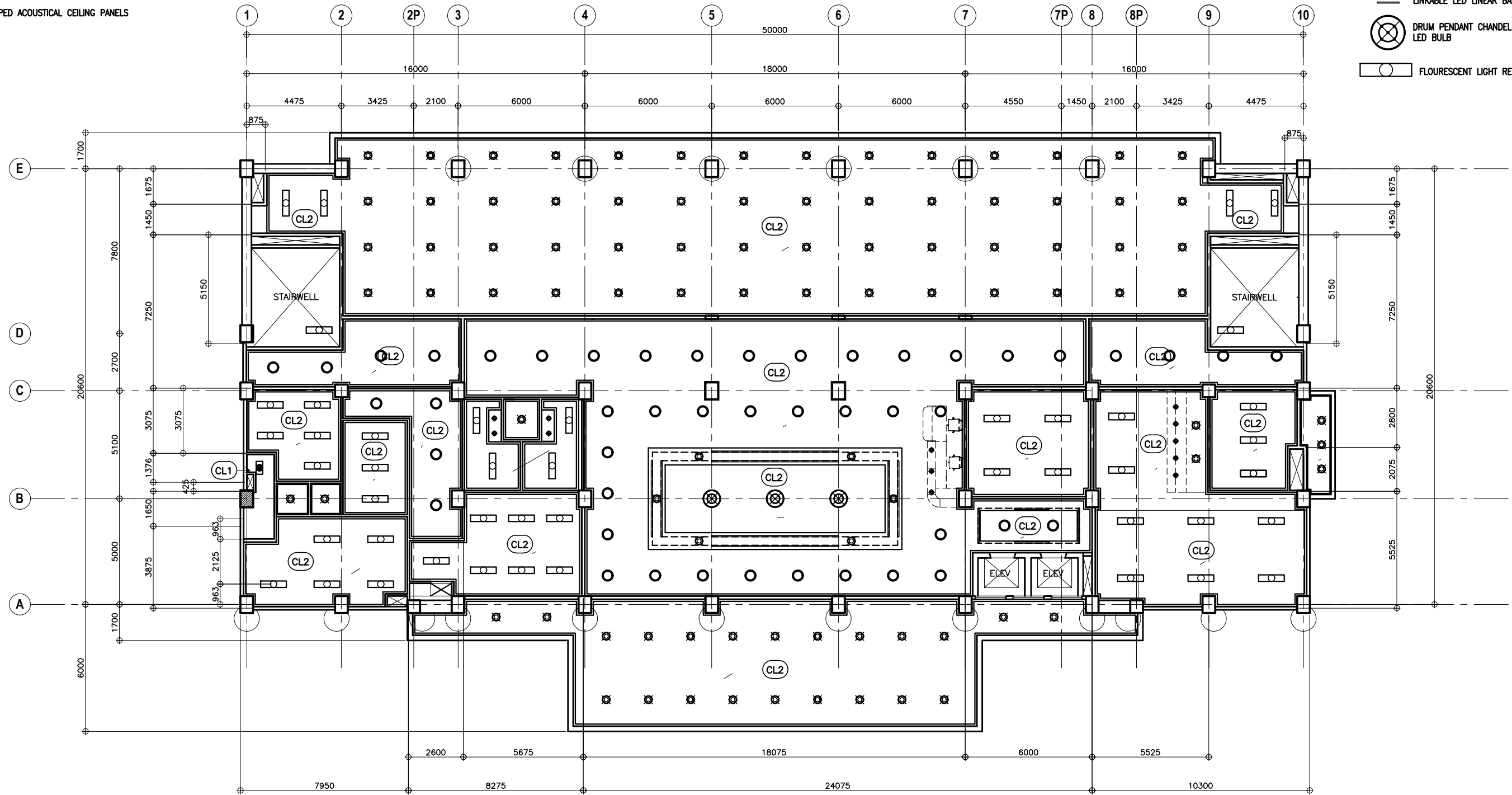
THE DESIGN CONSULTANT SHALL BE HELD FULLY RESPONSIBLE FOR THE FAILURE OF THE FACILITY/ES/STRUCTURES DUE TO FAULTY DESIGN EXCEPT FOR THE CHANGES MADE WITHOUT THE CONFORMITY OF THE CONSULTANTS.

CEILING FINISHES:

- CL1 EXPOSED UNDERSIDE OF CONCRETE SLAB (PAINTED FINISH)
- CL2 4.5mm THICK FIBER CEMENT BOARD (PAINTED) ON METAL FURRING CHANNELS @ 400mm O.C. B.W.
- CL3 EXPOSED UNDERSIDE OF ROOFING INSULATION
- CL4 FABRIC WRAPPED ACOUSTICAL CEILING PANELS

LEGEND:

-  LED DOWNLIGHT
-  LED LIGHT
-  LED LIGHT
-  LINKABLE LED LINEAR BAR LIGHT
-  DRUM PENDANT CHANDELIER LED BULB
-  FLOURESCENT LIGHT RECESSED TYPE



1 GROUND FLOOR REFLECTED CEILING PLAN
A-21 SCALE 1:100M



PREPARED BY: ARMAN U. CUEVAS
ARCHITECTURAL DESIGN
POSITION: ARCHITECT
PRC No.: 0018676 TIN No.: 907-359-364
PTR No.: 4020896

SUBMITTED BY: CYNTHIA CLEMEN A. YU
ARCHITECT/TEAM LEADER



REPUBLIC OF THE PHILIPPINES
DEPARTMENT OF PUBLIC WORKS AND HIGHWAYS
BUREAU OF DESIGN
BUILDINGS DIVISION
BONIFACIO DRIVE PORT AREA, MANILA

REVIEWED AS TO DESIGN CONCEPT:
JOSEPHINE P. ISTURIS
CHIEF,
BUILDINGS DIVISION, BOD

RECOMMENDING APPROVAL:
(SEE COVER SHEET)
LEA N. DELFINADO, CESO IV
OFFICER-IN-CHARGE

APPROVED:
(SEE COVER SHEET)
EMIL K. SADAIN, CESO I
UNDERSECRETARY FOR UPMO
OPERATIONS & TECHNICAL SERVICES

CONCURRED:
(SEE COVER SHEET)
ROWENA CANDICE M. RUIZ
EXECUTIVE DIRECTOR

PROJECT & LOCATION / BARANGAY:
PROPOSED:
PROPOSED SEVEN (7) STOREY
GOVERNMENT PROCUREMENT POLICY
BOARD (GPPB)
UP DILIMAN COMPOUND, DILIMAN,
QUEZON CITY







SHEET CONTENTS:
GROUND FLOOR REFLECTED
CEILING PLAN

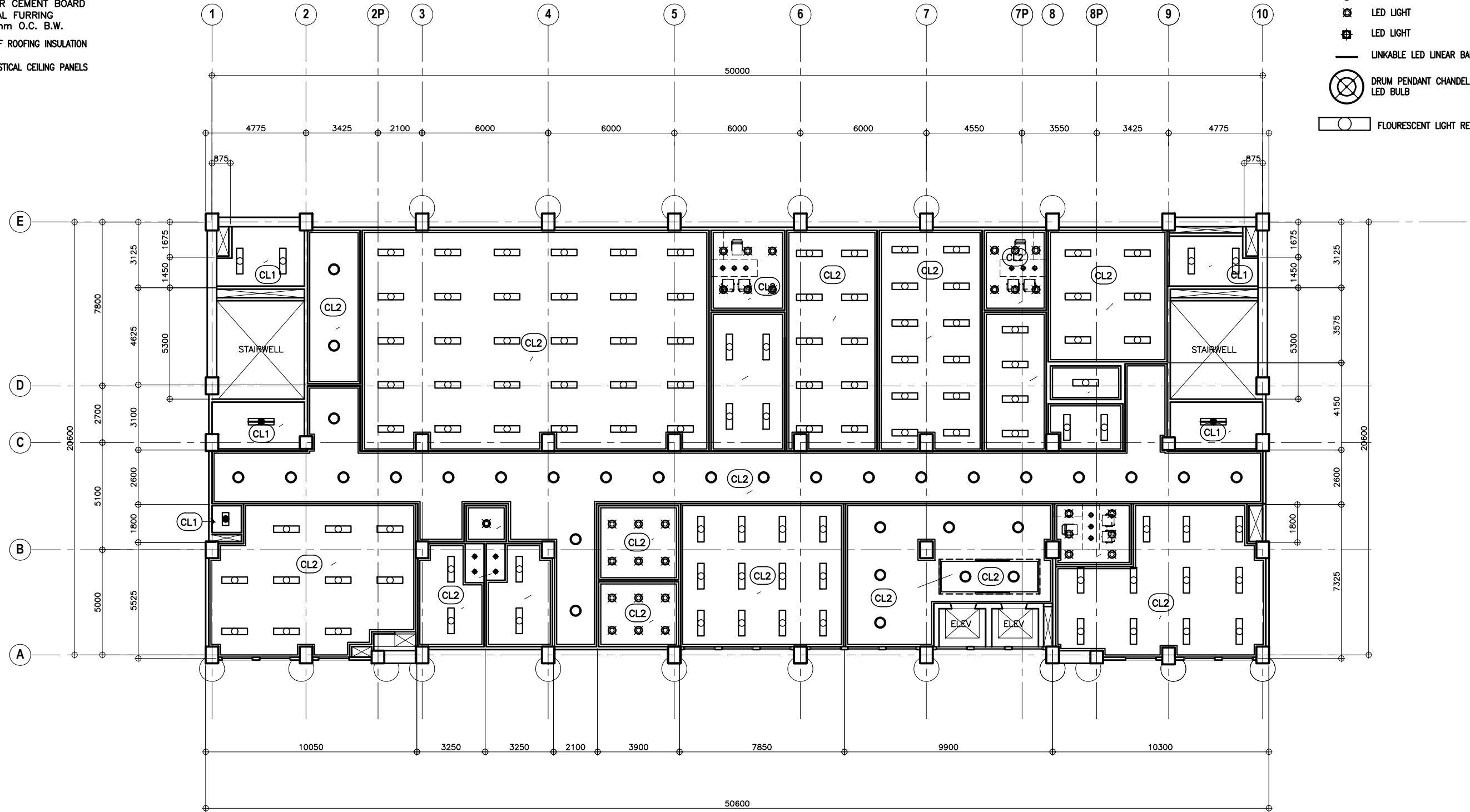
SET NO. BOD A-21
SHEET NO. 23
216

CEILING FINISHES:



- CL1 EXPOSED UNDERSIDE OF CONCRETE SLAB (PAINTED FINISH)
- CL2 4.5mm THICK FIBER CEMENT BOARD (PAINTED) ON METAL FURRING CHANNELS @ 400mm O.C. B.W.
- CL3 EXPOSED UNDERSIDE OF ROOFING INSULATION
- CL4 FABRIC WRAPPED ACOUSTICAL CEILING PANELS

LEGEND:

-  LED DOWNLIGHT
-  LED LIGHT
-  LED LIGHT
-  LINKABLE LED LINEAR BAR LIGHT
-  DRUM PENDANT CHANDELIER LED BULB
-  FLOURESCENT LIGHT RECESSED TYPE









1 SECOND FLOOR REFLECTED CEILING PLAN
A-22 SCALE 1:100M

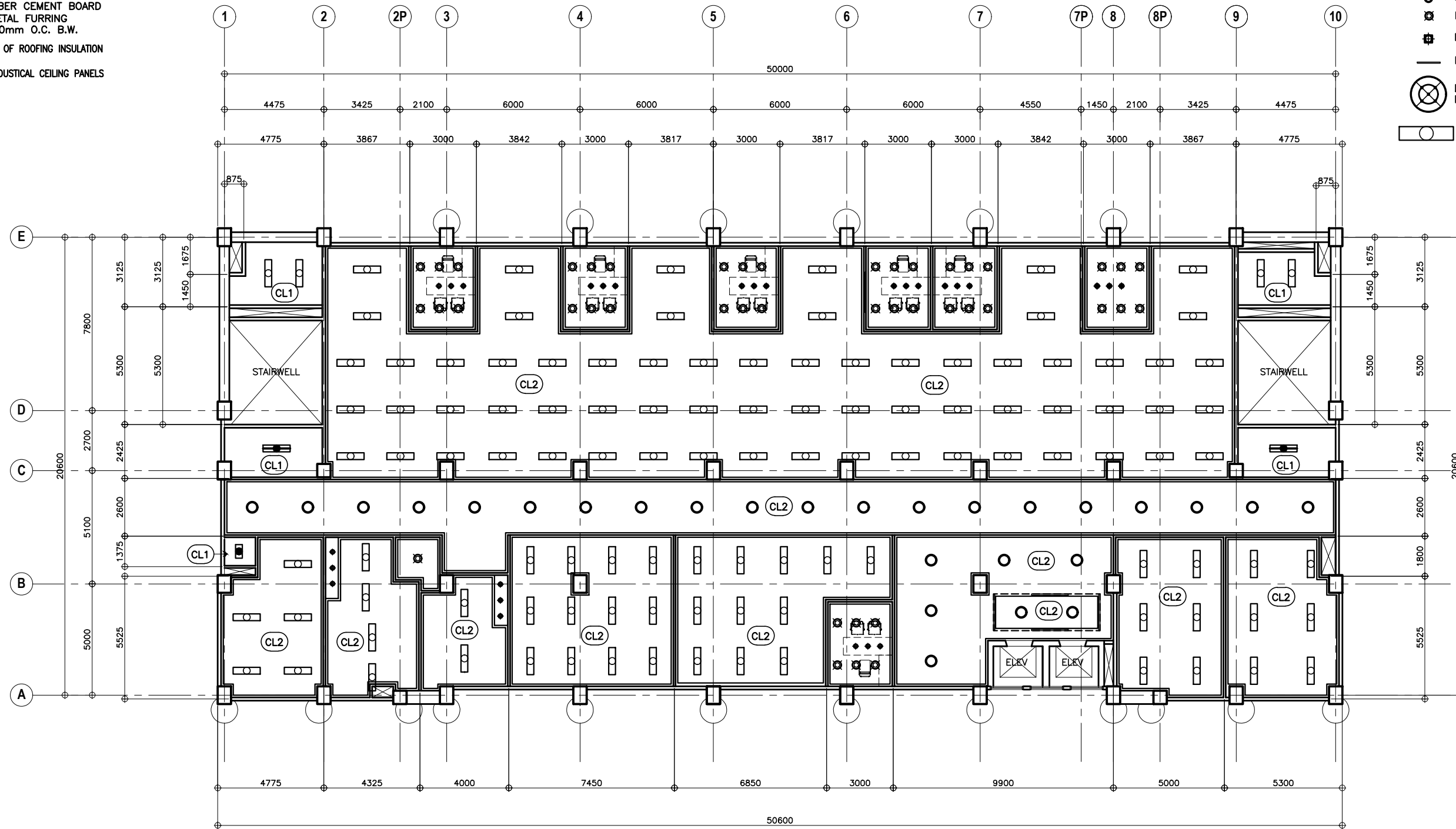
 UNITED TECHNOLOGIES CONSOLIDATED PARTNERSHIP	PREPARED BY: ARMAN U. CUEVAS <small>ARCHITECTURAL DESIGN POSITION: ARCHITECT PRC No.: 0018676 TIN No.: 907-359-364 PTR No.: 4020896</small>	SUBMITTED BY: CYNTHIA CLEMEN A. YU <small>ARCHITECT/TEAM LEADER</small>	 REPUBLIC OF THE PHILIPPINES DEPARTMENT OF PUBLIC WORKS AND HIGHWAYS BUREAU OF DESIGN BUILDINGS DIVISION <small>BONIFACIO DRIVE PORT AREA, MANILA</small>	REVIEWED AS TO DESIGN CONCEPT: JOSEPHINE P. ISTURIS <small>CHIEF, BUILDINGS DIVISION, BOD</small>	RECOMMENDING APPROVAL: <small>(SEE COVER SHEET)</small> LEA N. DELFINADO, CESO IV <small>OFFICER-IN-CHARGE</small>	APPROVED: <small>(SEE COVER SHEET)</small> EMIL K. SADAIN, CESO I <small>UNDERSECRETARY FOR UPMO OPERATIONS & TECHNICAL SERVICES</small>	CONCURRED: <small>(SEE COVER SHEET)</small> ROWENA CANDICE M. RUIZ <small>EXECUTIVE DIRECTOR</small>	PROJECT & LOCATION / BARANGAY: PROPOSED: PROPOSED SEVEN (7) STOREY GOVERNMENT PROCUREMENT POLICY BOARD (GPPB) UP DILIMAN COMPOUND, DILIMAN, QUEZON CITY	SHEET CONTENTS: SECOND FLOOR REFLECTED CEILING PLAN	SET NO. BOD A-22	SHEET NO. 24 216
	SECOND FLOOR REFLECTED CEILING PLAN										

CEILING FINISHES:

- CL1 EXPOSED UNDERSIDE OF CONCRETE SLAB (PAINTED FINISH)
- CL2 4.5mm THICK FIBER CEMENT BOARD (PAINTED) ON METAL FURRING CHANNELS @ 400mm O.C. B.W.
- CL3 EXPOSED UNDERSIDE OF ROOFING INSULATION
- CL4 FABRIC WRAPPED ACOUSTICAL CEILING PANELS

LEGEND:

-  LED DOWNLIGHT
-  LED LIGHT
-  LED LIGHT
-  LINKABLE LED LINEAR BAR LIGHT
-  DRUM PENDANT CHANDELIER LED BULB
-  FLOURESCENT LIGHT RECESSED TYPE



1 THIRD FLOOR REFLECTED CEILING PLAN
A-23 SCALE 1:100M



PREPARED BY: ARMAN U. CUEVAS
POSITION: ARCHITECT
PRC No.: 0018676 TIN No.: 907-359-364
PTR No.: 4020896

SUBMITTED BY: CYNTHIA CLEMEN A. YU
ARCHITECT/TEAM LEADER



REPUBLIC OF THE PHILIPPINES
DEPARTMENT OF PUBLIC WORKS AND HIGHWAYS
BUREAU OF DESIGN
BUILDINGS DIVISION
BONIFACIO DRIVE PORT AREA, MANILA

REVIEWED AS TO DESIGN CONCEPT:
JOSEPHINE P. ISTURIS
CHIEF,
BUILDINGS DIVISION, BOD

RECOMMENDING APPROVAL:
(SEE COVER SHEET)
LEA N. DELFINADO, CESO IV
OFFICER-IN-CHARGE

APPROVED:
(SEE COVER SHEET)
EMIL K. SADAIN, CESO I
UNDERSECRETARY FOR UPMO
OPERATIONS & TECHNICAL SERVICES

CONCURRED:
(SEE COVER SHEET)
ROWENA CANDICE M. RUIZ
EXECUTIVE DIRECTOR

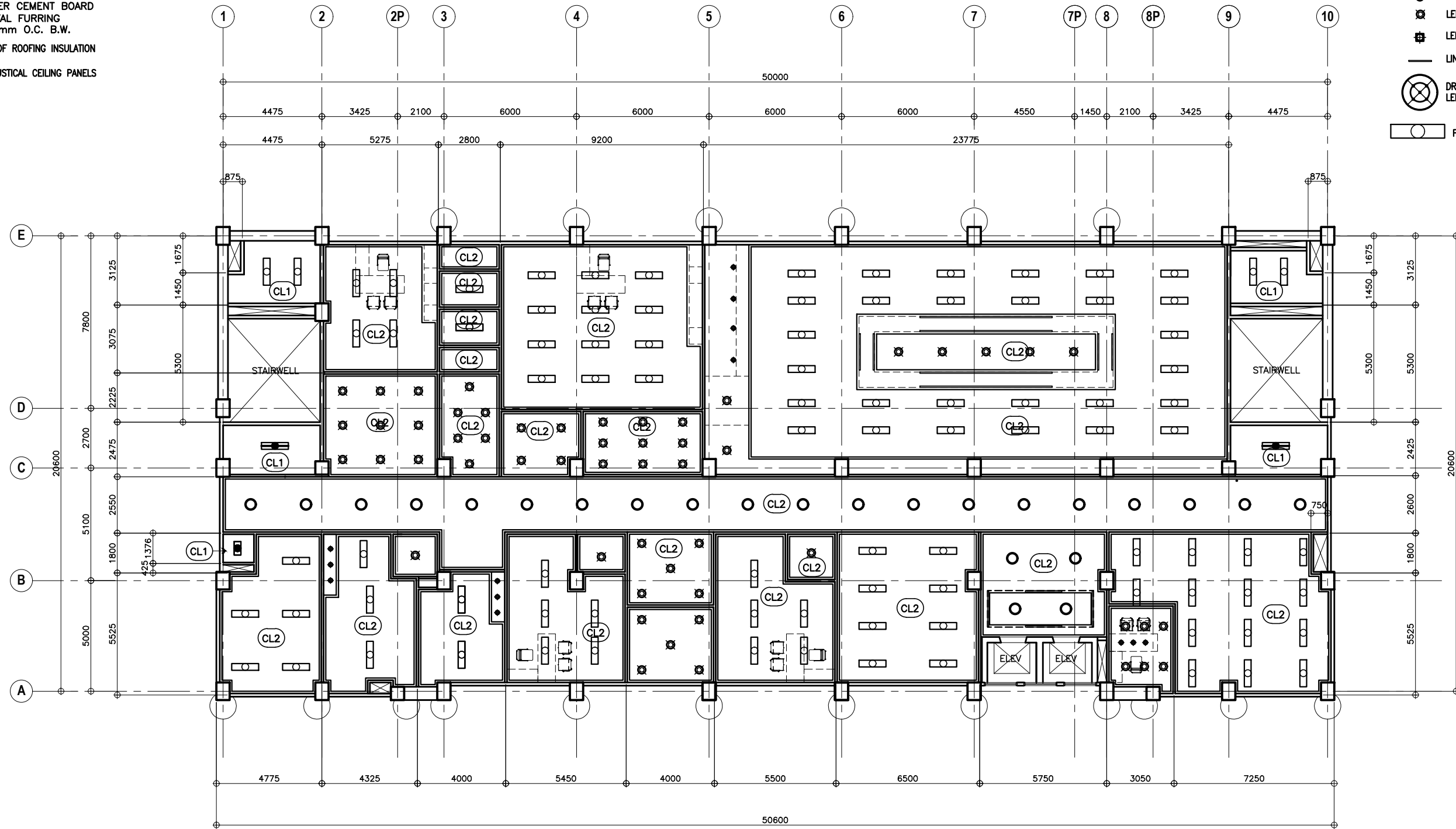
PROJECT & LOCATION / BARANGAY:
PROPOSED:
PROPOSED SEVEN (7) STOREY
GOVERNMENT PROCUREMENT POLICY
BOARD (GPPB)
UP DILIMAN COMPOUND, DILIMAN,
QUEZON CITY

SHEET CONTENTS:
THIRD FLOOR REFLECTED CEILING
PLAN

SET NO. SHEET NO.
BOD A-23 25
216

- CEILING FINISHES:**
- CL1 EXPOSED UNDERSIDE OF CONCRETE SLAB (PAINTED FINISH)
 - CL2 4.5mm THICK FIBER CEMENT BOARD (PAINTED) ON METAL FURRING CHANNELS @ 400mm O.C. B.W.
 - CL3 EXPOSED UNDERSIDE OF ROOFING INSULATION
 - CL4 FABRIC WRAPPED ACOUSTICAL CEILING PANELS

- LEGEND:**
- LED DOWNLIGHT
 - LED LIGHT
 - LED LIGHT
 - LINKABLE LED LINEAR BAR LIGHT
 - DRUM PENDANT CHANDELIER LED BULB
 - FLOURESCENT LIGHT RECESSED TYPE

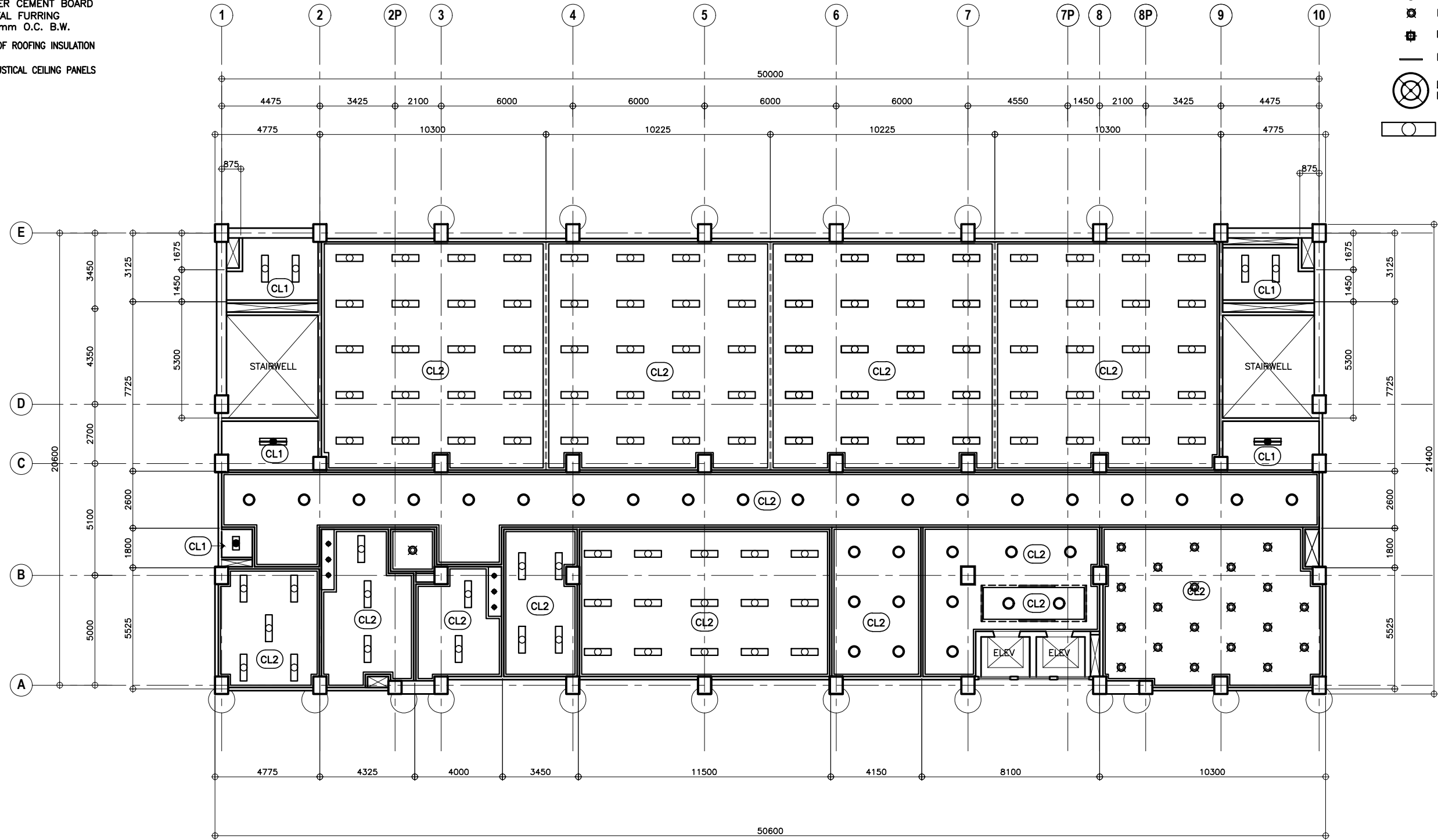


1 FOURTH FLOOR REFLECTED CEILING PLAN
 A-24 SCALE 1:100M

	PREPARED BY: ARMAN U. CUEVAS <small>ARCHITECTURAL DESIGN POSITION: ARCHITECT PRC No.: 0018676 TIN No.: 907-359-364 PTR No.: 4020896</small>	SUBMITTED BY: CYNTHIA CLEMEN A. YU <small>ARCHITECT/TEAM LEADER</small>	REPUBLIC OF THE PHILIPPINES DEPARTMENT OF PUBLIC WORKS AND HIGHWAYS BUREAU OF DESIGN BUILDINGS DIVISION <small>BONIFACIO DRIVE PORT AREA, MANILA</small>	REVIEWED AS TO DESIGN CONCEPT: JOSEPHINE P. ISTURIS <small>CHIEF, BUILDINGS DIVISION, BOD</small>	RECOMMENDING APPROVAL: <small>(SEE COVER SHEET)</small> LEA N. DELFINADO, CESO IV <small>OFFICER-IN-CHARGE</small>	APPROVED: <small>(SEE COVER SHEET)</small> EMIL K. SADAIN, CESO I <small>UNDERSECRETARY FOR UPMO OPERATIONS & TECHNICAL SERVICES</small>	CONCURRED: <small>(SEE COVER SHEET)</small> ROWENA CANDICE M. RUIZ <small>EXECUTIVE DIRECTOR</small>	PROJECT & LOCATION / BARANGAY: PROPOSED: PROPOSED SEVEN (7) STOREY GOVERNMENT PROCUREMENT POLICY BOARD (GPPB) UP DILIMAN COMPOUND, DILIMAN, QUEZON CITY	SHEET CONTENTS: FOURTH FLOOR REFLECTED CEILING PLAN	SET NO. 	SHEET NO.

- CEILING FINISHES:**
- CL1 EXPOSED UNDERSIDE OF CONCRETE SLAB (PAINTED FINISH)
 - CL2 4.5mm THICK FIBER CEMENT BOARD (PAINTED) ON METAL FURRING CHANNELS @ 400mm O.C. B.W.
 - CL3 EXPOSED UNDERSIDE OF ROOFING INSULATION
 - CL4 FABRIC WRAPPED ACOUSTICAL CEILING PANELS

- LEGEND:**
- LED DOWNLIGHT
 - ⊗ LED LIGHT
 - ⊕ LED LIGHT
 - LINKABLE LED LINEAR BAR LIGHT
 - ⊗ DRUM PENDANT CHANDELIER LED BULB
 - FLOURESCENT LIGHT RECESSED TYPE

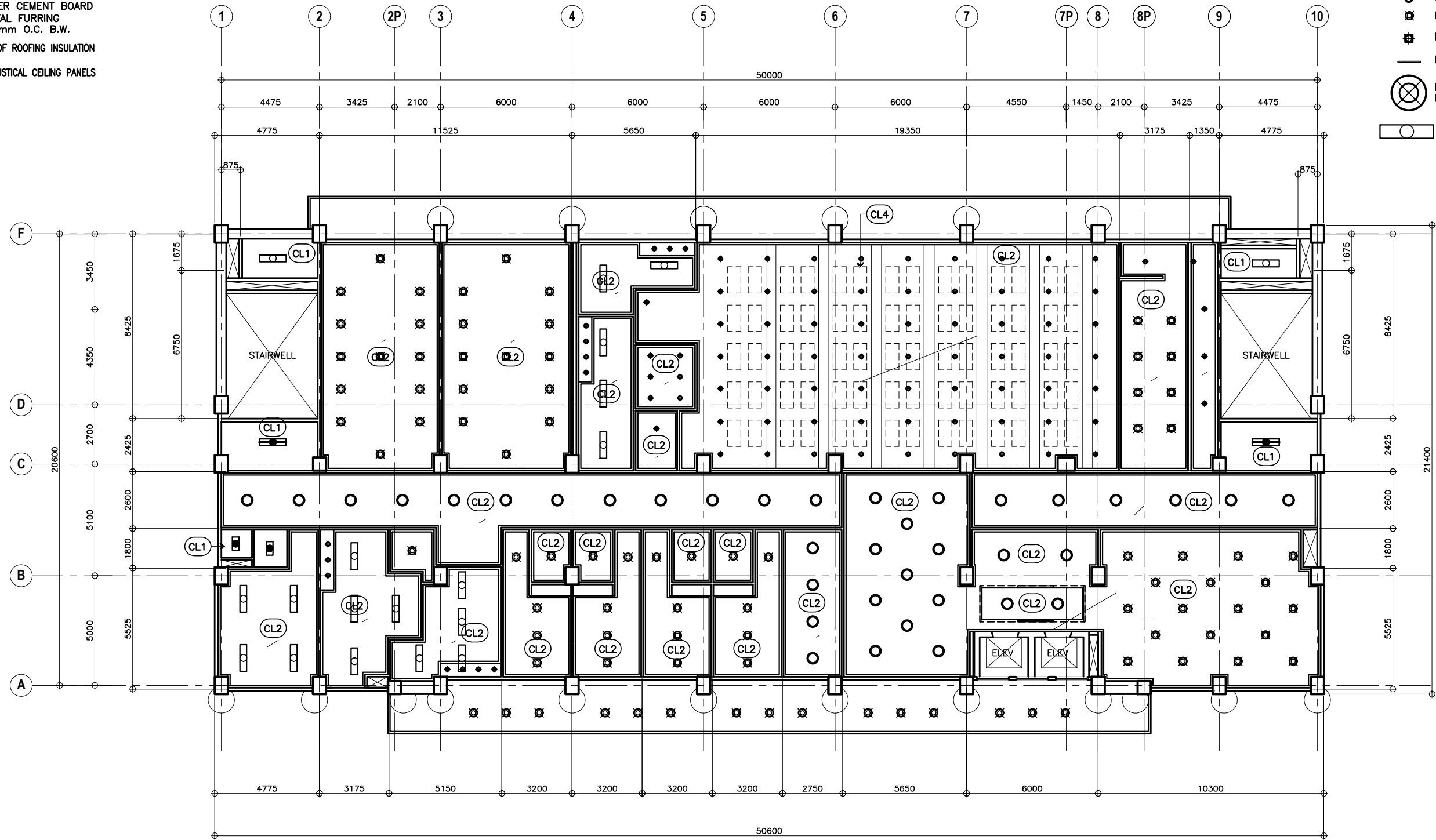


1
FIFTH FLOOR REFLECTED CEILING PLAN
SCALE 1:100M

	PREPARED BY:	SUBMITTED BY:		REVIEWED AS TO DESIGN CONCEPT:	RECOMMENDING APPROVAL:	APPROVED:	CONCURRED:	PROJECT & LOCATION / BARANGAY:	SHEET CONTENTS:	SET NO.	SHEET NO.
	ARMAN U. CUEVAS <small>ARCHITECTURAL DESIGN POSITION: ARCHITECT PRC No.: 0018676 TIN No.: 907-359-364 PTR No.: 4020896</small>	CYNTHIA CLEMEN A. YU <small>ARCHITECT/TEAM LEADER</small>		<small>REPUBLIC OF THE PHILIPPINES DEPARTMENT OF PUBLIC WORKS AND HIGHWAYS BUREAU OF DESIGN BUILDINGS DIVISION BONIFACIO DRIVE PORT AREA, MANILA</small>	JOSEPHINE P. ISTURIS <small>CHIEF, BUILDINGS DIVISION, BOD</small>	<small>(SEE COVER SHEET)</small> LEA N. DELFINADO, CESO IV <small>OFFICER-IN-CHARGE</small>	<small>(SEE COVER SHEET)</small> EMIL K. SADAIN, CESO I <small>UNDERSECRETARY FOR UPMO OPERATIONS & TECHNICAL SERVICES</small>	<small>(SEE COVER SHEET)</small> ROWENA CANDICE M. RUIZ <small>EXECUTIVE DIRECTOR</small>	PROPOSED SEVEN (7) STOREY GOVERNMENT PROCUREMENT POLICY BOARD (GPPB) UP DILIMAN COMPOUND, DILIMAN, QUEZON CITY	FIFTH FLOOR REFLECTED CEILING PLAN	BOD A-25

- CEILING FINISHES:**
- CL1 EXPOSED UNDERSIDE OF CONCRETE SLAB (PAINTED FINISH)
 - CL2 4.5mm THICK FIBER CEMENT BOARD (PAINTED) ON METAL FURRING CHANNELS @ 400mm O.C. B.W.
 - CL3 EXPOSED UNDERSIDE OF ROOFING INSULATION
 - CL4 FABRIC WRAPPED ACOUSTICAL CEILING PANELS

- LEGEND:**
- LED DOWNLIGHT
 - LED LIGHT
 - LED LIGHT
 - LINKABLE LED LINEAR BAR LIGHT
 - DRUM PENDANT CHANDELIER LED BULB
 - FLOURESCENT LIGHT RECESSED TYPE



NOTE:
 PURSUANT TO SECTION 4 OF ANNEX "A" OF THE REVISED IMPLEMENTING RULES AND REGULATIONS OF R.A. 9184, APPROVAL BY THE AUTHORIZED DPWH OFFICIALS OF DETAILED ENGINEERING SURVEYS AND DESIGN UNDERTAKEN BY CONSULTANTS NEITHER DIMINISHES THE RESPONSIBILITY OF THE LATTER FOR THE TECHNICAL INTEGRITY OF THE SURVEYS AND DESIGN NOR TRANSFER ANY PART OF THAT RESPONSIBILITY TO THE APPROVING OFFICIALS.

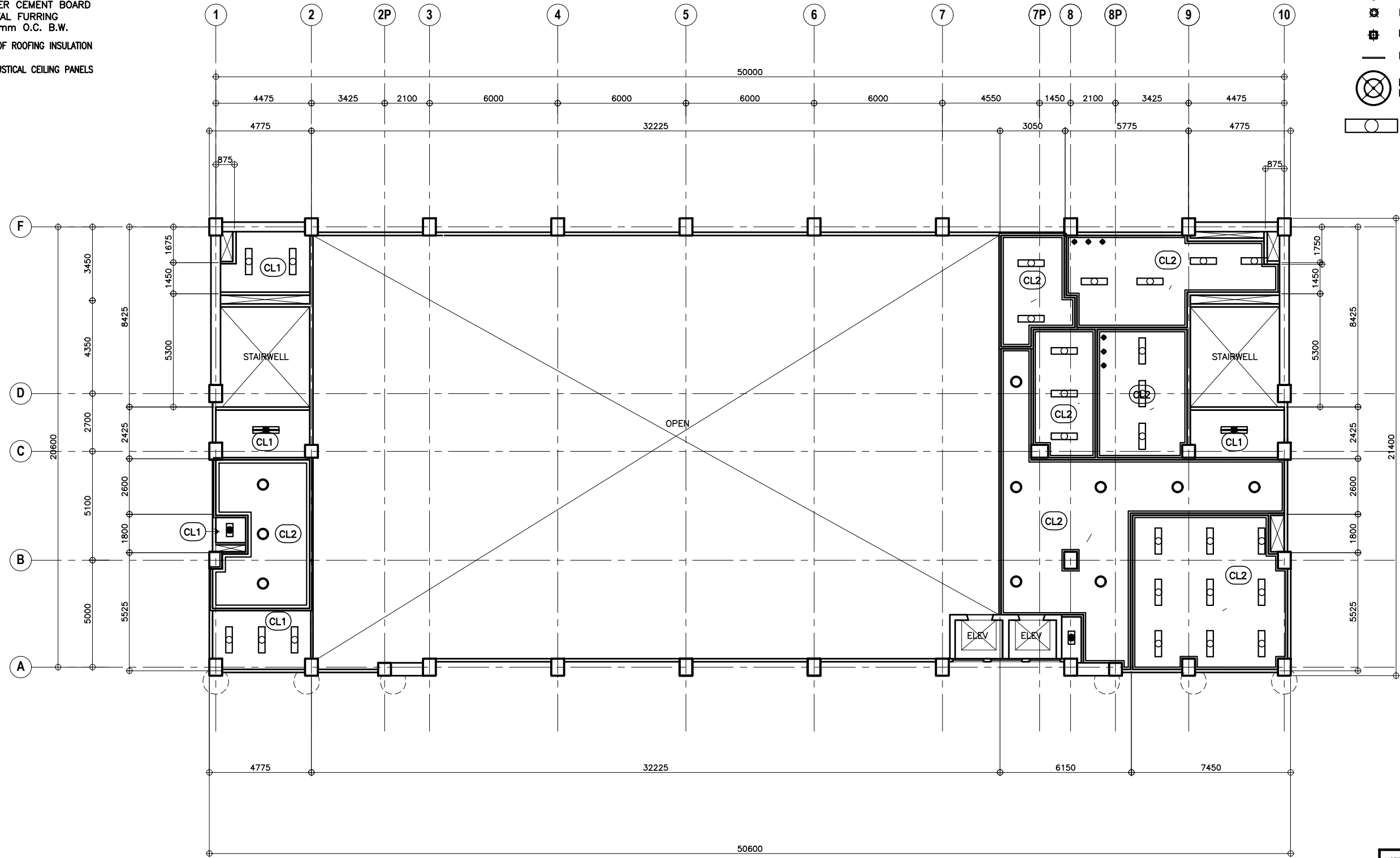
 THE DESIGN CONSULTANT SHALL BE HELD FULLY RESPONSIBLE FOR THE FAILURE OF THE FACILITY/ES/STRUCTURES DUE TO FAULTY DESIGN EXCEPT FOR THE CHANGES MADE WITHOUT THE CONFORMITY OF THE CONSULTANTS.

1 SIXTH FLOOR REFLECTED CEILING PLAN
 SCALE 1:100M

	PREPARED BY: ARMAN U. CUEVAS <small>ARCHITECTURAL DESIGN POSITION: ARCHITECT PRC No.: 0018676 TIN No.: 907-359-364 PTR No.: 4020896</small>	SUBMITTED BY: CYNTHIA CLEMEN A. YU <small>ARCHITECT/TEAM LEADER</small>		REVIEWED AS TO DESIGN CONCEPT: JOSEPHINE P. ISTURIS <small>CHIEF, BUILDINGS DIVISION, BOD</small>	RECOMMENDING APPROVAL: <small>(SEE COVER SHEET)</small> LEA N. DELFINADO, CESO IV <small>OFFICER-IN-CHARGE</small>	APPROVED: <small>(SEE COVER SHEET)</small> EMIL K. SADAIN, CESO I <small>UNDERSECRETARY FOR UPMO OPERATIONS & TECHNICAL SERVICES</small>	CONCURRED: <small>(SEE COVER SHEET)</small> ROWENA CANDICE M. RUIZ <small>EXECUTIVE DIRECTOR</small>	PROJECT & LOCATION / BARANGAY: <small>PROPOSED:</small> PROPOSED SEVEN (7) STOREY GOVERNMENT PROCUREMENT POLICY BOARD (GPPB) UP DILIMAN COMPOUND, DILIMAN, QUEZON CITY	SHEET CONTENTS: SIXTH FLOOR REFLECTED CEILING PLAN	SET NO. BOD A-26	SHEET NO. 28 216
	REPUBLIC OF THE PHILIPPINES DEPARTMENT OF PUBLIC WORKS AND HIGHWAYS BUREAU OF DESIGN BUILDINGS DIVISION <small>BONIFACIO DRIVE PORT AREA, MANILA</small>			OPERATIONS & TECHNICAL SERVICES							

- CEILING FINISHES:**
- CL1 EXPOSED UNDERSIDE OF CONCRETE SLAB (PAINTED FINISH)
 - CL2 4.5mm THICK FIBER CEMENT BOARD (PAINTED) ON METAL FURRING CHANNELS @ 400mm O.C. B.W.
 - CL3 EXPOSED UNDERSIDE OF ROOFING INSULATION
 - CL4 FABRIC WRAPPED ACOUSTICAL CEILING PANELS

- LEGEND:**
- LED DOWNLIGHT
 - LED LIGHT
 - LED LIGHT
 - LINKABLE LED LINEAR BAR LIGHT
 - DRUM PENDANT CHANDELIER LED BULB
 - FLOURESCENT LIGHT RECESSED TYPE



NOTE:
 PURSUANT TO SECTION 4 OF ANNEX "A" OF THE REVISED IMPLEMENTING RULES AND REGULATION OF R.A. 9184, APPROVAL BY THE AUTHORIZED DPWH OFFICIALS OF DETAILED ENGINEERING SURVEYS AND DESIGN UNDERTAKEN BY CONSULTANTS NEITHER DIMINISHES THE RESPONSIBILITY OF THE LATTER FOR THE TECHNICAL INTEGRITY OF THE SURVEYS AND DESIGN NOR TRANSFER ANY PART OF THAT RESPONSIBILITY TO THE APPROVING OFFICIALS.

THE DESIGN CONSULTANT SHALL BE HELD FULLY RESPONSIBLE FOR THE FAILURE OF THE FACILITY/ES/STRUCTURES DUE TO FAULTY DESIGN EXCEPT FOR THE CHANGES MADE WITHOUT THE CONFORMITY OF THE CONSULTANTS.







1 SEVENTH FLOOR REFLECTED CEILING PLAN
 A-27 SCALE 1:100M

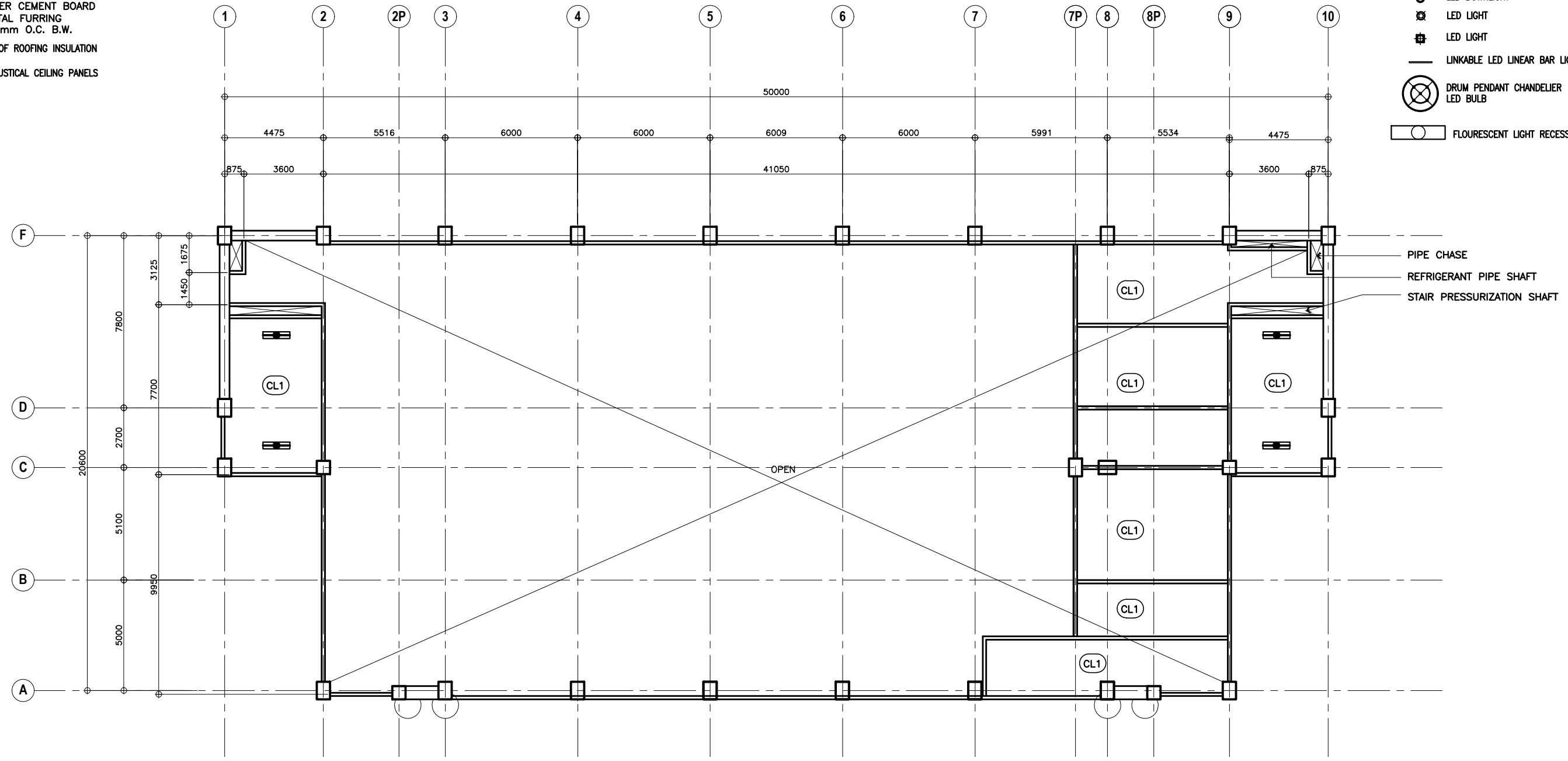
	PREPARED BY: ARMAN U. CUEVAS <small>ARCHITECTURAL DESIGN POSITION: ARCHITECT PRC No.: 0018676 TIN No.: 907-359-364 PTR No.: 4020896</small>	SUBMITTED BY: CYNTHIA CLEMEN A. YU <small>ARCHITECT/TEAM LEADER</small>		REVIEWED AS TO DESIGN CONCEPT: JOSEPHINE P. ISTURIS <small>CHIEF, BUILDINGS DIVISION, BOD</small>	RECOMMENDING APPROVAL: <small>(SEE COVER SHEET)</small> LEA N. DELFINADO, CESO IV <small>OFFICER-IN-CHARGE</small>	APPROVED: <small>(SEE COVER SHEET)</small> EMIL K. SADAIN, CESO I <small>UNDERSECRETARY FOR UPMO OPERATIONS & TECHNICAL SERVICES</small>	CONCURRED: <small>(SEE COVER SHEET)</small> ROWENA CANDICE M. RUIZ <small>EXECUTIVE DIRECTOR</small>	PROJECT & LOCATION / BARANGAY: <small>PROPOSED:</small> PROPOSED SEVEN (7) STOREY GOVERNMENT PROCUREMENT POLICY BOARD (GPPB) <small>UP DILIMAN COMPOUND, DILIMAN, QUEZON CITY</small>	SHEET CONTENTS: SEVENTH FLOOR REFLECTED CEILING PLAN	SET NO. BOD A-27	SHEET NO. 29 216
	REPUBLIC OF THE PHILIPPINES DEPARTMENT OF PUBLIC WORKS AND HIGHWAYS BUREAU OF DESIGN BUILDINGS DIVISION <small>BONIFACIO DRIVE PORT AREA, MANILA</small>										

CEILING FINISHES:

- CL1 EXPOSED UNDERSIDE OF CONCRETE SLAB (PAINTED FINISH)
- CL2 4.5mm THICK FIBER CEMENT BOARD (PAINTED) ON METAL FURRING CHANNELS @ 400mm O.C. B.W.
- CL3 EXPOSED UNDERSIDE OF ROOFING INSULATION
- CL4 FABRIC WRAPPED ACOUSTICAL CEILING PANELS

LEGEND:



-  LED DOWNLIGHT
-  LED LIGHT
-  LED LIGHT
-  LINKABLE LED LINEAR BAR LIGHT
-  DRUM PENDANT CHANDELIER LED BULB
-  FLOURESCENT LIGHT RECESSED TYPE



NOTE:
 PURSUANT TO SECTION 4 OF ANNEX "A" OF THE REVISED IMPLEMENTING RULES AND REGULATION OF R.A. 9184, APPROVAL BY THE AUTHORIZED DPWH OFFICIALS OF DETAILED ENGINEERING SURVEYS AND DESIGN UNDERTAKEN BY CONSULTANTS NEITHER DIMINISHES THE RESPONSIBILITY OF THE LATTER FOR THE TECHNICAL INTEGRITY OF THE SURVEYS AND DESIGN NOR TRANSFER ANY PART OF THAT RESPONSIBILITY TO THE APPROVING OFFICIALS.

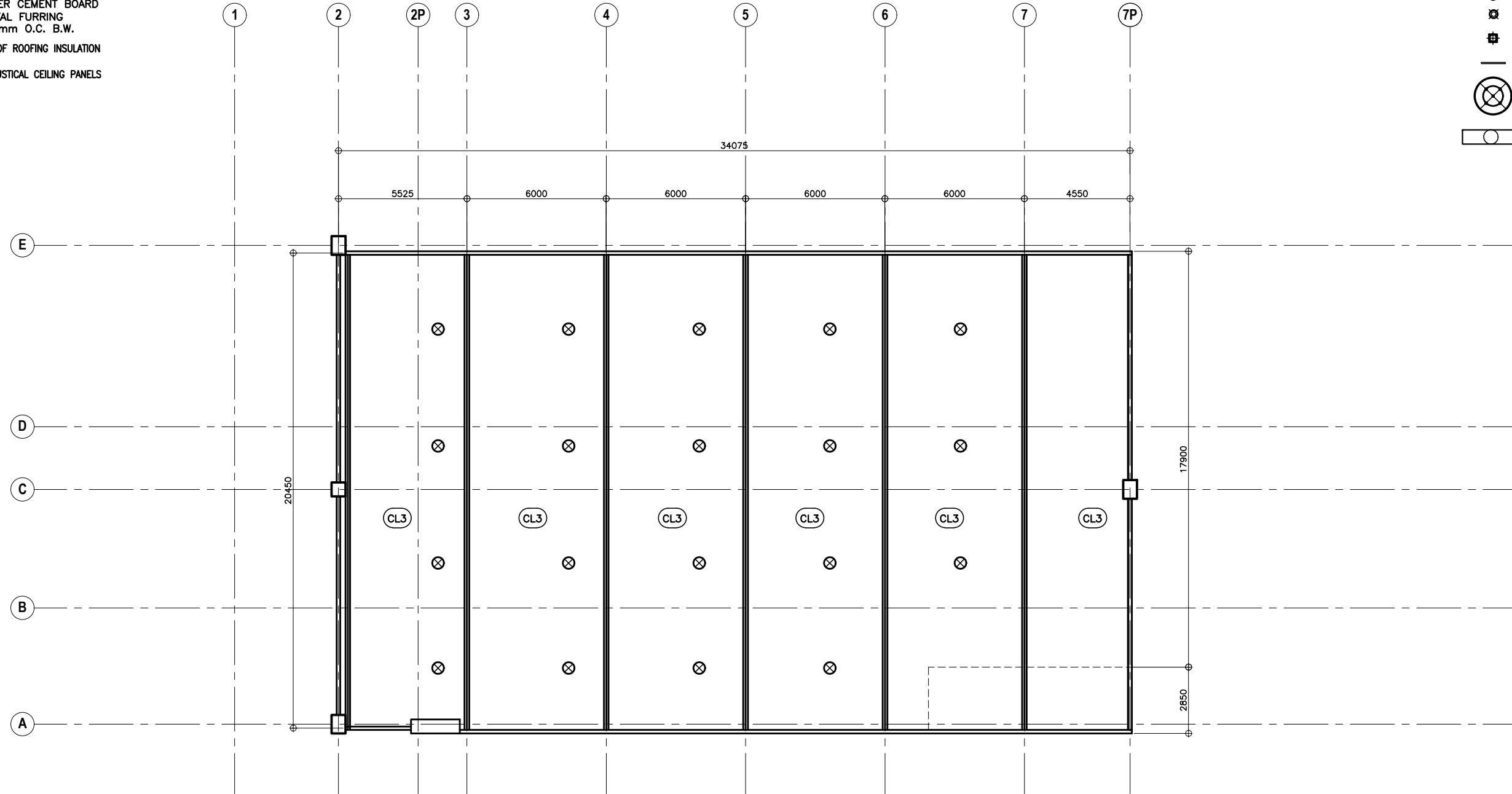
 THE DESIGN CONSULTANT SHALL BE HELD FULLY RESPONSIBLE FOR THE FAILURE OF THE FACILITY/ES/STRUCTURES DUE TO FAULTY DESIGN EXCEPT FOR THE CHANGES MADE WITHOUT THE CONFORMITY OF THE CONSULTANTS.

1 REFLECTED CEILING PLAN OVER STAIRWELL
 SCALE 1:100M

 UNITED TECHNOLOGIES CONSOLIDATED PARTNERSHIP	PREPARED BY: ARMAN U. CUEVAS <small>ARCHITECTURAL DESIGN POSITION: ARCHITECT PRC No.: 0018676 TIN No.: 907-359-364 PTR No.: 4020896</small>	SUBMITTED BY: CYNTHIA CLEMEN A. YU <small>ARCHITECT/TEAM LEADER</small>	 REPUBLIC OF THE PHILIPPINES DEPARTMENT OF PUBLIC WORKS AND HIGHWAYS BUREAU OF DESIGN BUILDINGS DIVISION <small>BONIFACIO DRIVE PORT AREA, MANILA</small>	REVIEWED AS TO DESIGN CONCEPT: JOSEPHINE P. ISTURIS <small>CHIEF, BUILDINGS DIVISION, BOD</small>	RECOMMENDING APPROVAL: <small>(SEE COVER SHEET)</small> LEA N. DELFINADO, CESO IV <small>OFFICER-IN-CHARGE</small>	APPROVED: <small>(SEE COVER SHEET)</small> EMIL K. SADAIN, CESO I <small>UNDERSECRETARY FOR UPMO OPERATIONS & TECHNICAL SERVICES</small>	CONCURRED: <small>(SEE COVER SHEET)</small> ROWENA CANDICE M. RUIZ <small>EXECUTIVE DIRECTOR</small>	PROJECT & LOCATION / BARANGAY: <small>PROPOSED:</small> PROPOSED SEVEN (7) STOREY GOVERNMENT PROCUREMENT POLICY BOARD (GPPB) UP DILIMAN COMPOUND, DILIMAN, QUEZON CITY	SHEET CONTENTS: REFLECTED CEILING PLAN OVER STAIRWELL	SET NO. BOD A-28	SHEET NO. 30 216
	THE DESIGN CONSULTANT SHALL BE HELD FULLY RESPONSIBLE FOR THE FAILURE OF THE FACILITY/ES/STRUCTURES DUE TO FAULTY DESIGN EXCEPT FOR THE CHANGES MADE WITHOUT THE CONFORMITY OF THE CONSULTANTS.										

- CEILING FINISHES:**
- CL1 EXPOSED UNDERSIDE OF CONCRETE SLAB (PAINTED FINISH)
 - CL2 4.5mm THICK FIBER CEMENT BOARD (PAINTED) ON METAL FURRING CHANNELS @ 400mm O.C. B.W.
 - CL3 EXPOSED UNDERSIDE OF ROOFING INSULATION
 - CL4 FABRIC WRAPPED ACOUSTICAL CEILING PANELS

- LEGEND:**
- LED DOWNLIGHT
 - LED LIGHT
 - LED LIGHT
 - LINKABLE LED LINEAR BAR LIGHT
 - DRUM PENDANT CHANDELIER LED BULB
 - FLOURESCENT LIGHT RECESSED TYPE

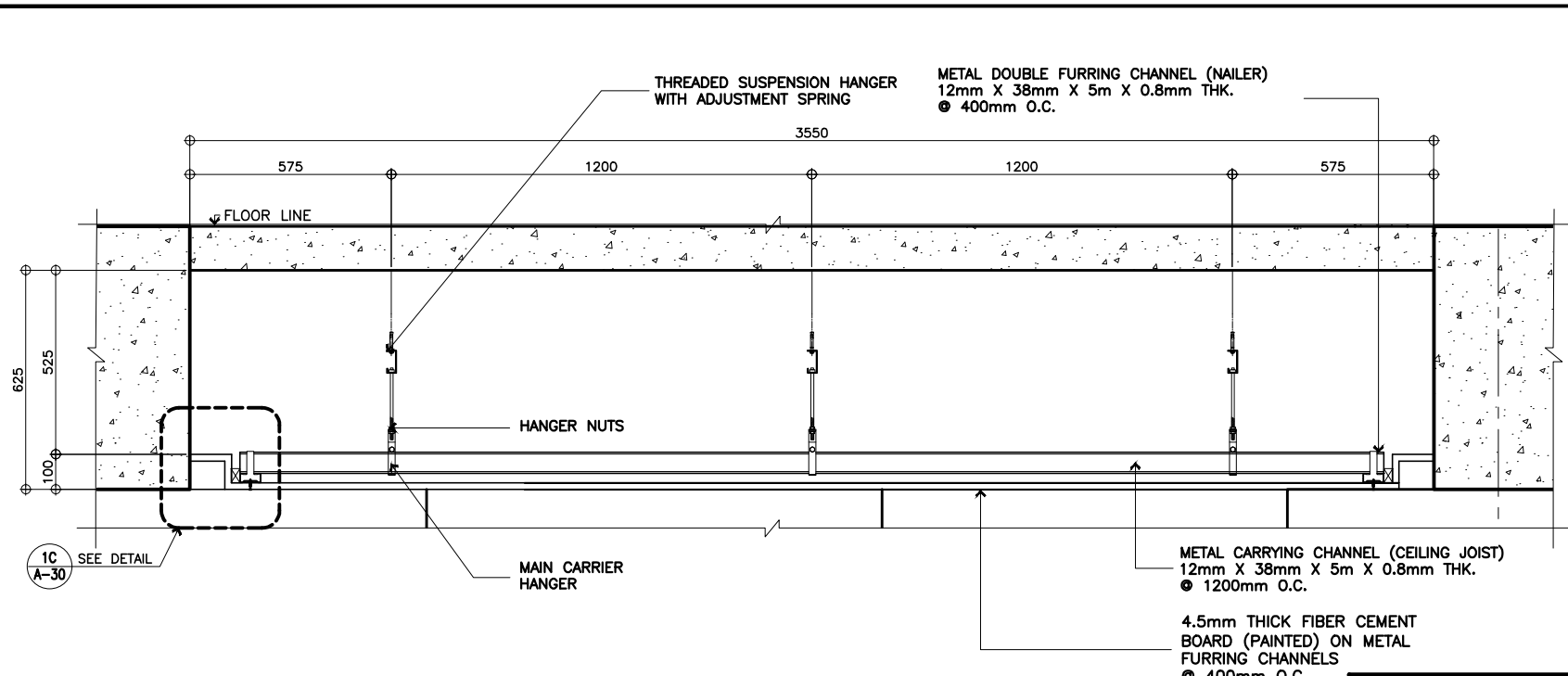


NOTE:
 PURSUANT TO SECTION 4 OF ANNEX "A" OF THE REVISED IMPLEMENTING RULES AND REGULATION OF R.A. 9184, APPROVAL BY THE AUTHORIZED DPWH OFFICIALS OF DETAILED ENGINEERING SURVEYS AND DESIGN UNDERTAKEN BY CONSULTANTS NEITHER DIMINISHES THE RESPONSIBILITY OF THE LATTER FOR THE TECHNICAL INTEGRITY OF THE SURVEYS AND DESIGN NOR TRANSFER ANY PART OF THAT RESPONSIBILITY TO THE APPROVING OFFICIALS.

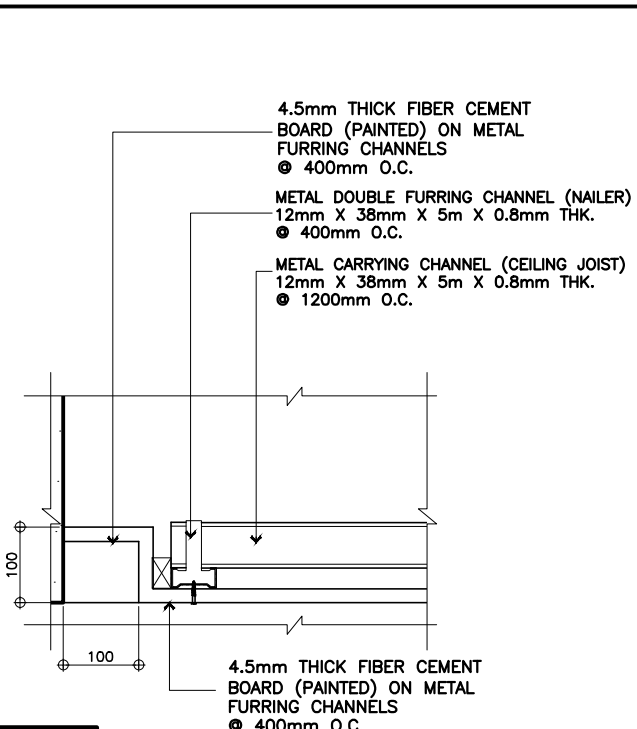
 THE DESIGN CONSULTANT SHALL BE HELD FULLY RESPONSIBLE FOR THE FAILURE OF THE FACILITY/ES/STRUCTURES DUE TO FAULTY DESIGN EXCEPT FOR THE CHANGES MADE WITHOUT THE CONFORMITY OF THE CONSULTANTS.

1 REFLECTED CEILING PLAN OVER BASKETBALL COURT
 A-29 SCALE 1:100M

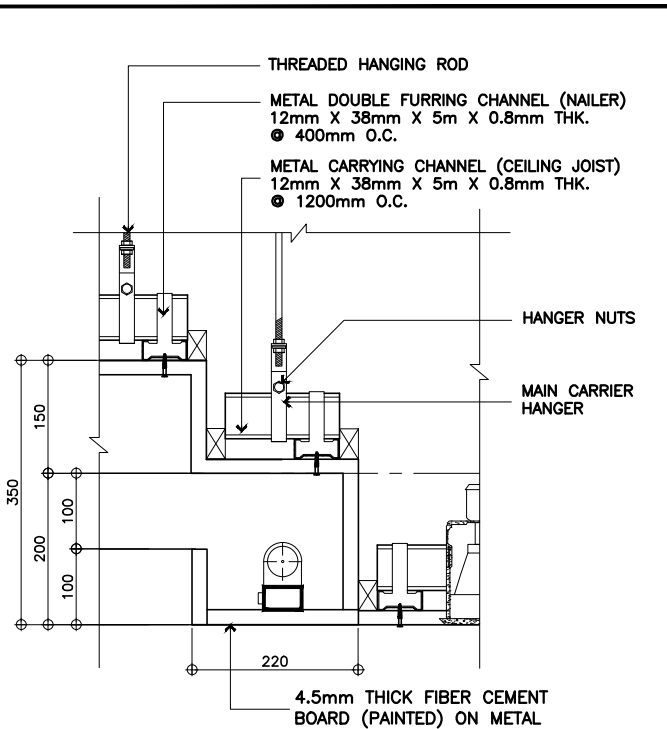
	PREPARED BY: ARMAN U. CUEVAS <small>ARCHITECTURAL DESIGN POSITION: ARCHITECT PRC No.: 0018676 TIN No.: 907-359-364 PTR No.: 4020896</small>	SUBMITTED BY: CYNTHIA CLEMEN A. YU <small>ARCHITECT/TEAM LEADER</small>		REVIEWED AS TO DESIGN CONCEPT: JOSEPHINE P. ISTURIS <small>CHIEF, BUILDINGS DIVISION, BOD</small>	RECOMMENDING APPROVAL: <small>(SEE COVER SHEET)</small> LEA N. DELFINADO, CESO IV <small>OFFICER-IN-CHARGE</small>	APPROVED: <small>(SEE COVER SHEET)</small> EMIL K. SADAIN, CESO I <small>UNDERSECRETARY FOR UPMO OPERATIONS & TECHNICAL SERVICES</small>	CONCURRED: <small>(SEE COVER SHEET)</small> ROWENA CANDICE M. RUIZ <small>EXECUTIVE DIRECTOR</small>	PROJECT & LOCATION / BARANGAY: <small>PROPOSED:</small> PROPOSED SEVEN (7) STOREY GOVERNMENT PROCUREMENT POLICY BOARD (GPPB) <small>UP DILIMAN COMPOUND, DILIMAN, QUEZON CITY</small>	SHEET CONTENTS: REFLECTED CEILING PLAN OVER BASKETBALL COURT	SET NO. 	SHEET NO.
	UNITED TECHNOLOGIES CONSOLIDATED PARTNERSHIP										



1A SECTION CONVENTIONAL CEILING
 A-30 SCALE 1:10M

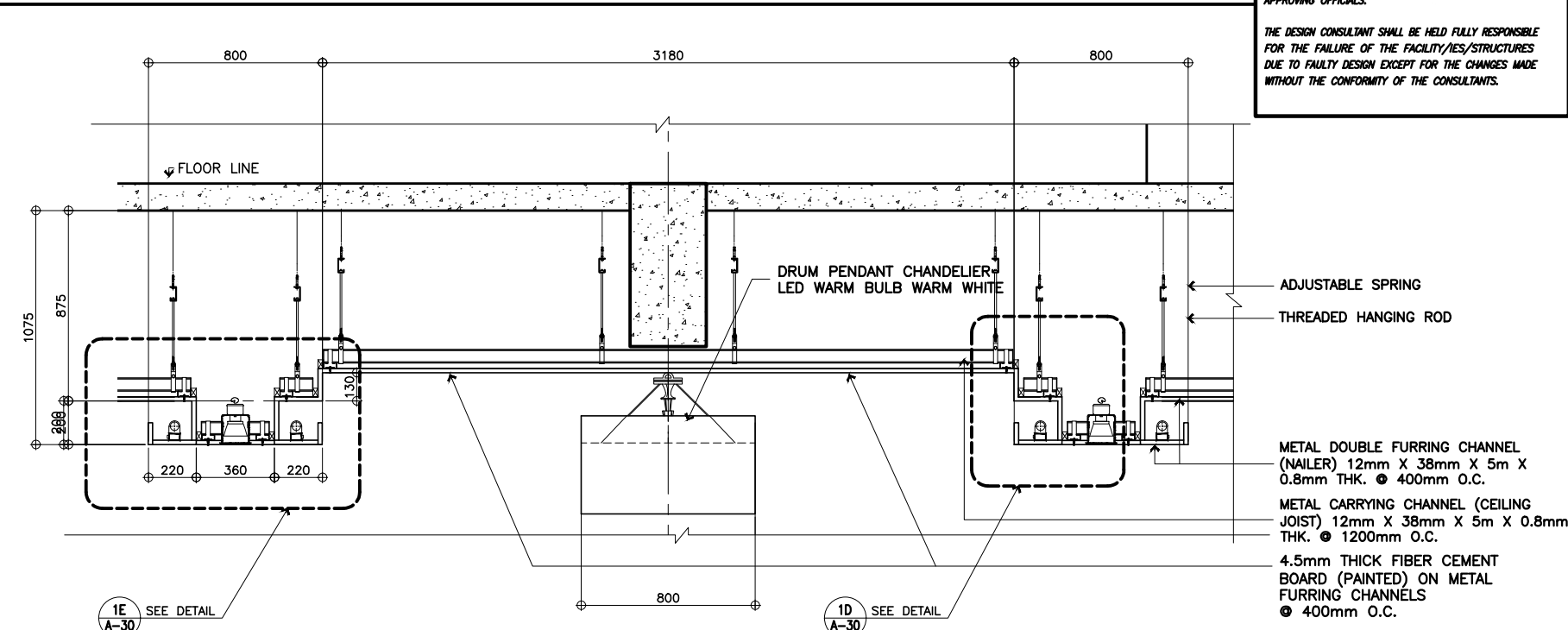


1C SPOT DETAIL
 A-30 SCALE 1:5M

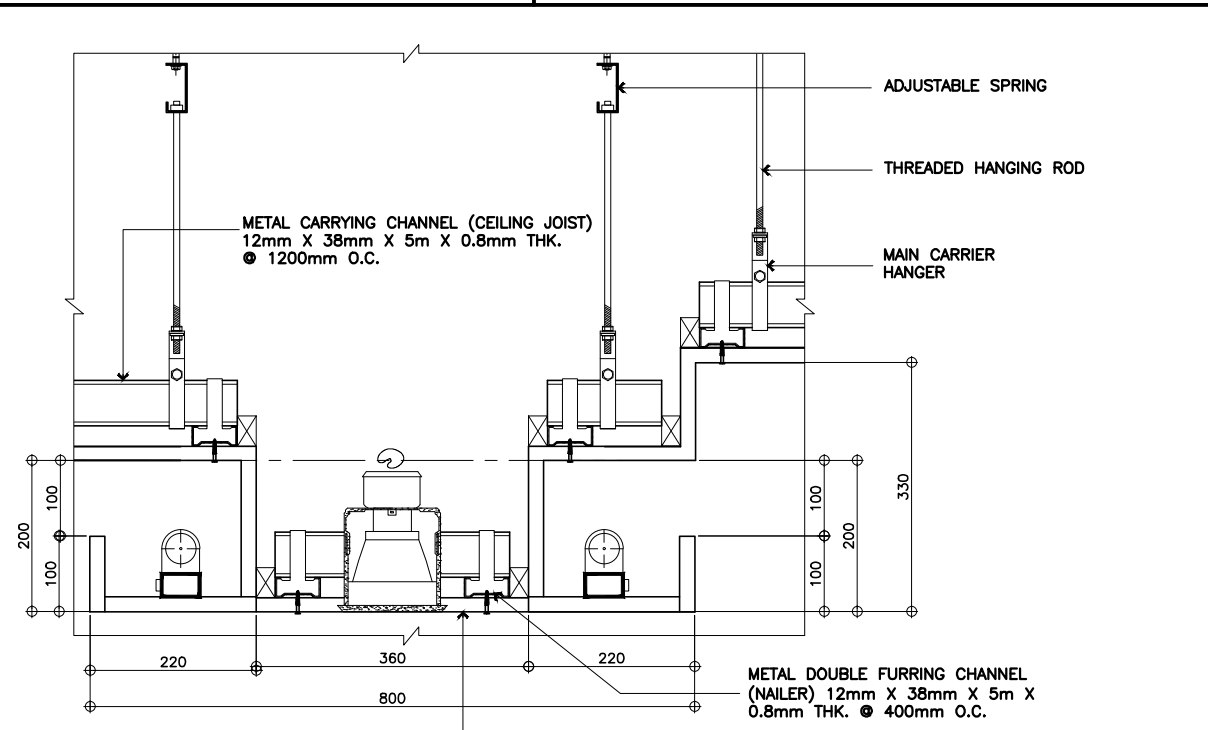


1D SPOT DETAIL
 A-30 SCALE 1:5M

NOTE:
 PURSUANT TO SECTION 4 OF ANNEX "A" OF THE REVISED IMPLEMENTING RULES AND REGULATION OF R.A. 9104, APPROVAL BY THE AUTHORIZED DPWH OFFICIALS OF DETAILED ENGINEERING SURVEYS AND DESIGN UNDERTAKEN BY CONSULTANTS NEITHER DIMINISHES THE RESPONSIBILITY OF THE LATTER FOR THE TECHNICAL INTEGRITY OF THE SURVEYS AND DESIGN NOR TRANSFER ANY PART OF THAT RESPONSIBILITY TO THE APPROVING OFFICIALS.
 THE DESIGN CONSULTANT SHALL BE HELD FULLY RESPONSIBLE FOR THE FAILURE OF THE FACILITY/IES/STRUCTURES DUE TO FAULTY DESIGN EXCEPT FOR THE CHANGES MADE WITHOUT THE CONFORMITY OF THE CONSULTANTS.



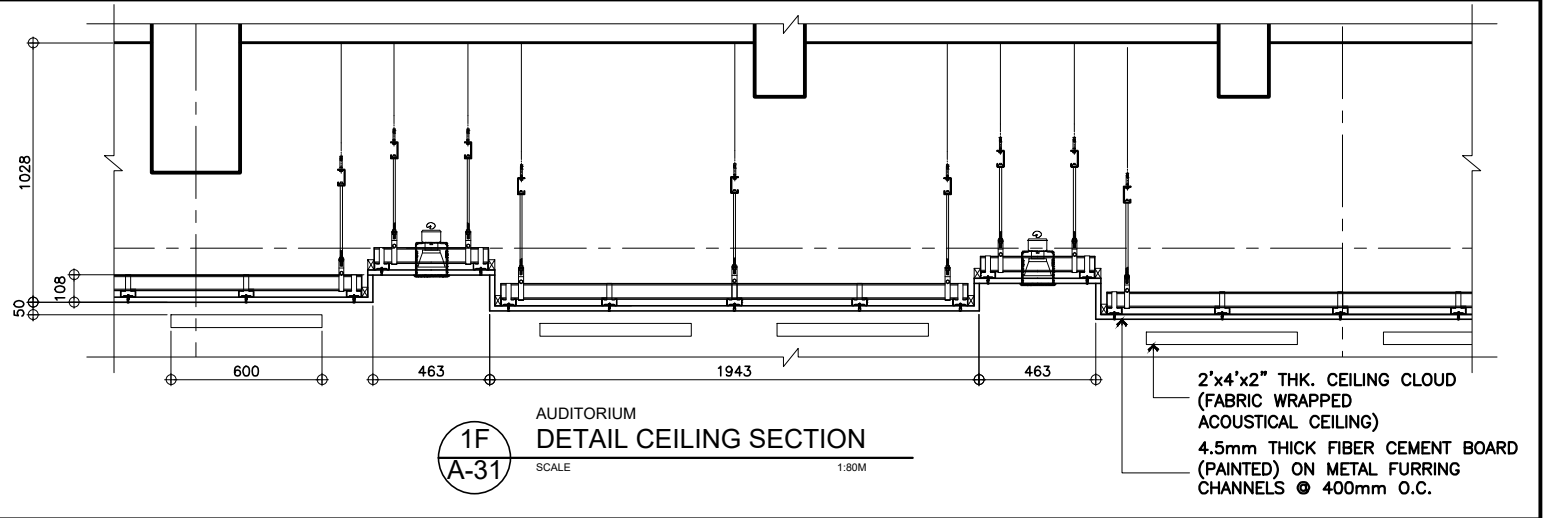
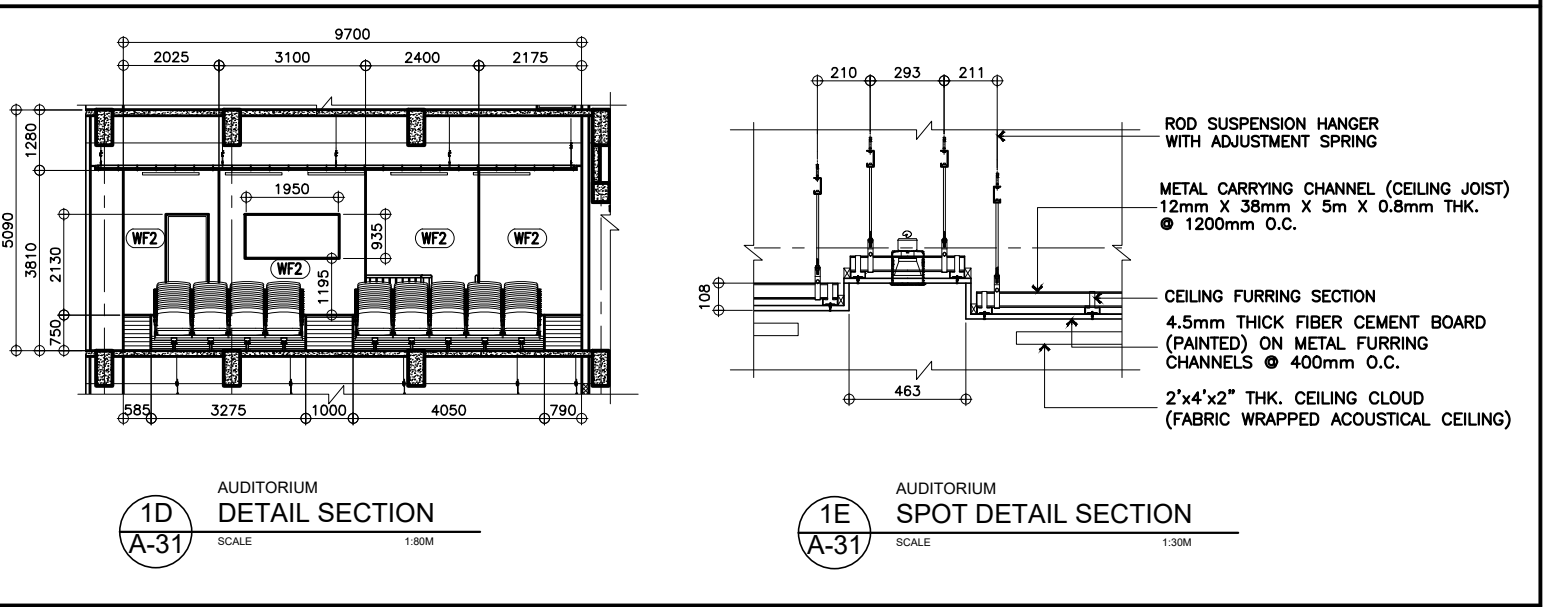
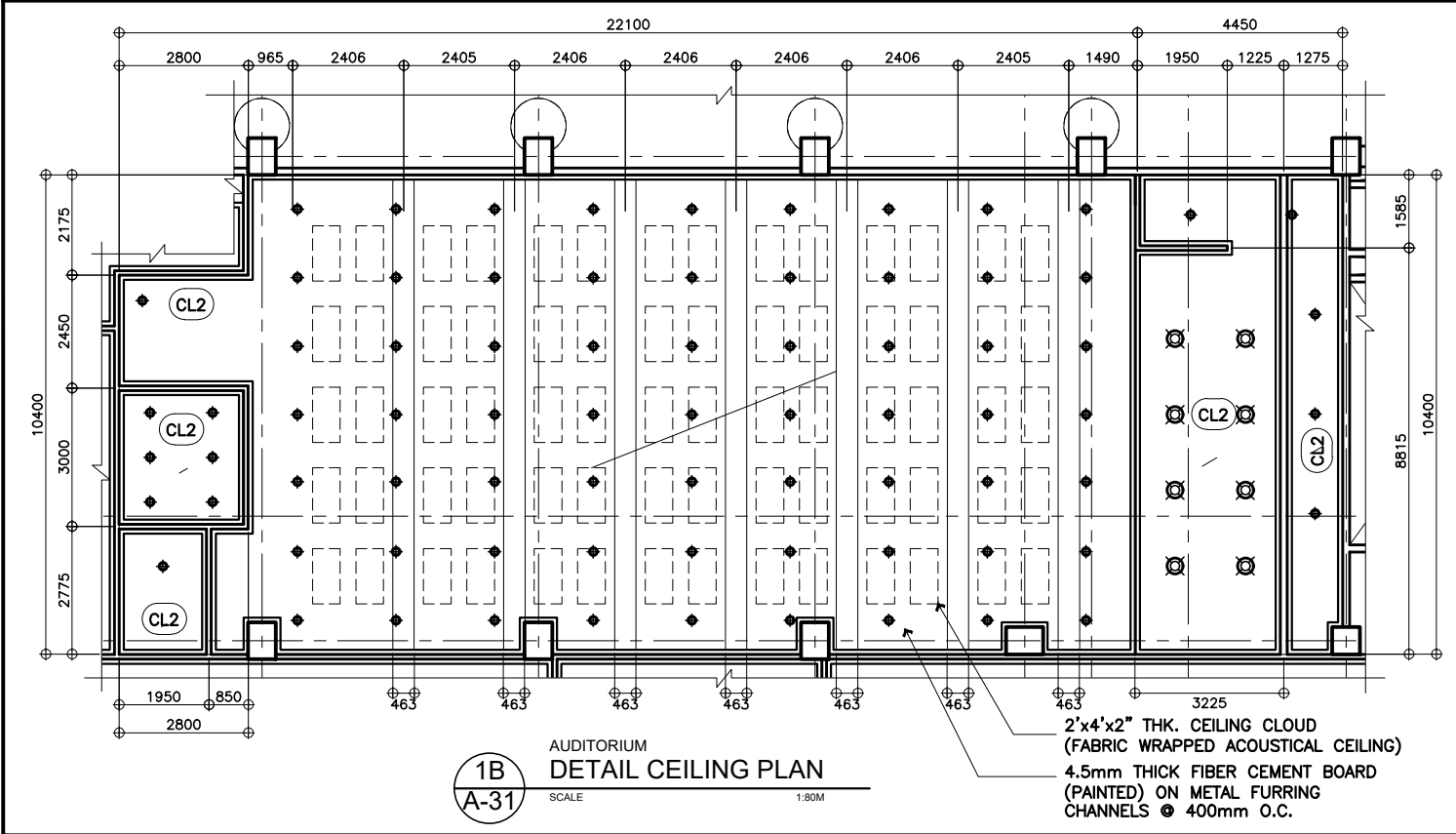
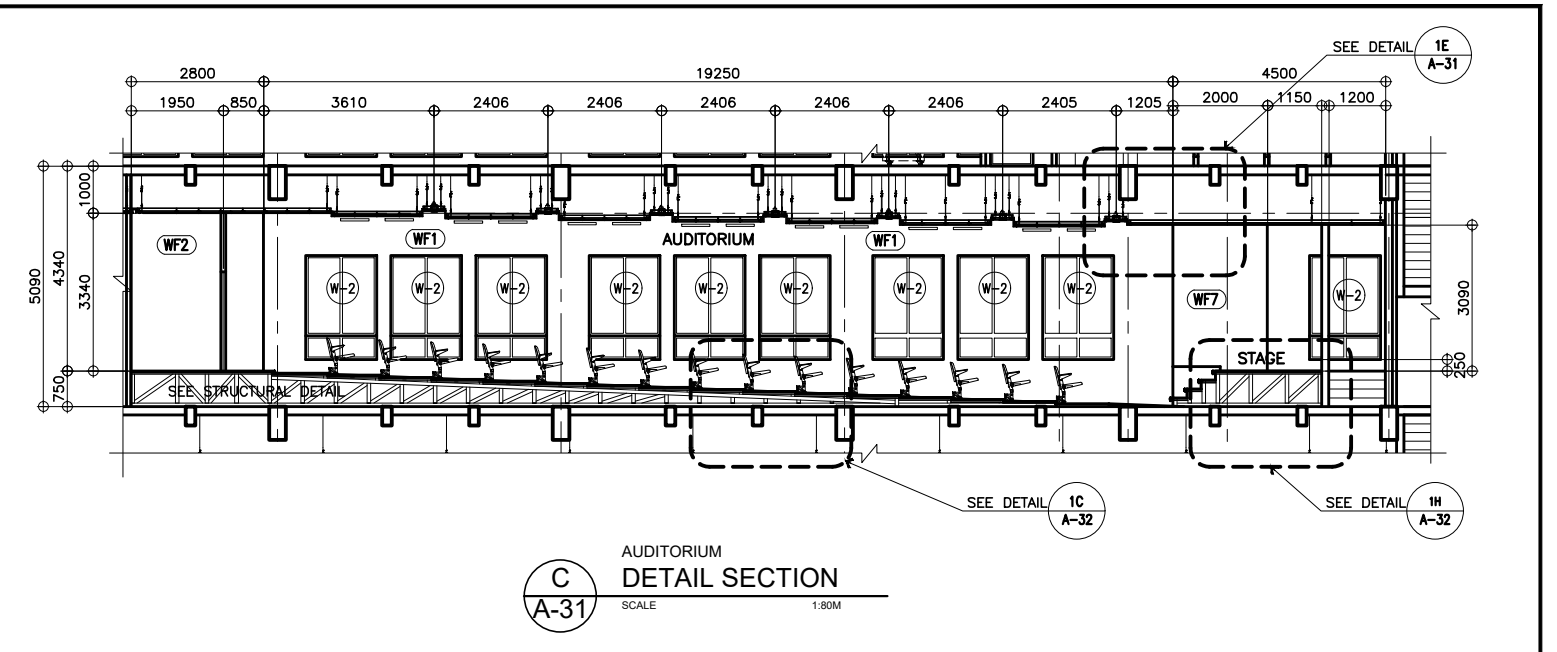
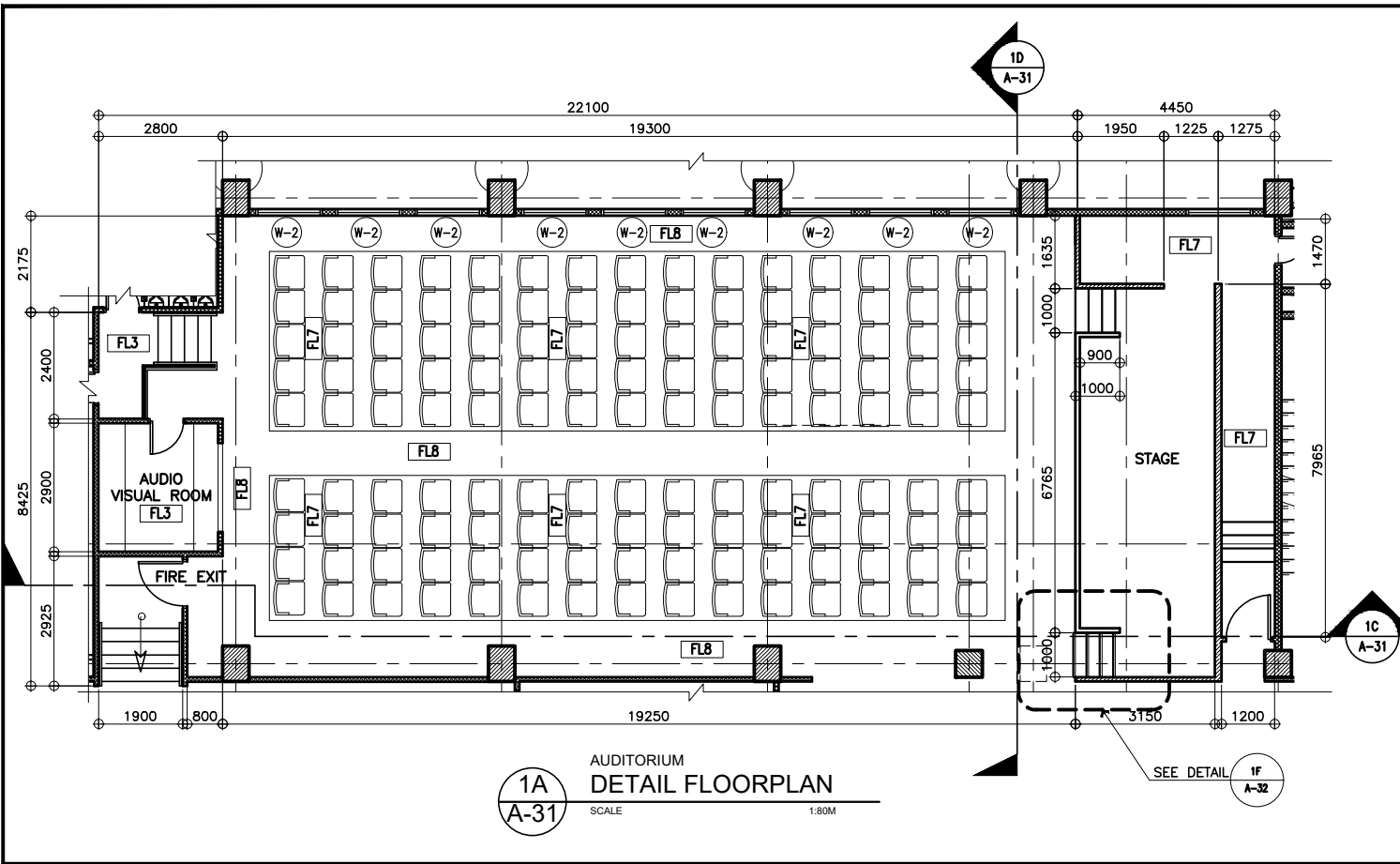
1B SECTION CONVENTIONAL CEILING WITH LAYERS
 A-30 SCALE 1:15M



1E SPOT DETAIL
 A-30 SCALE 1:5M

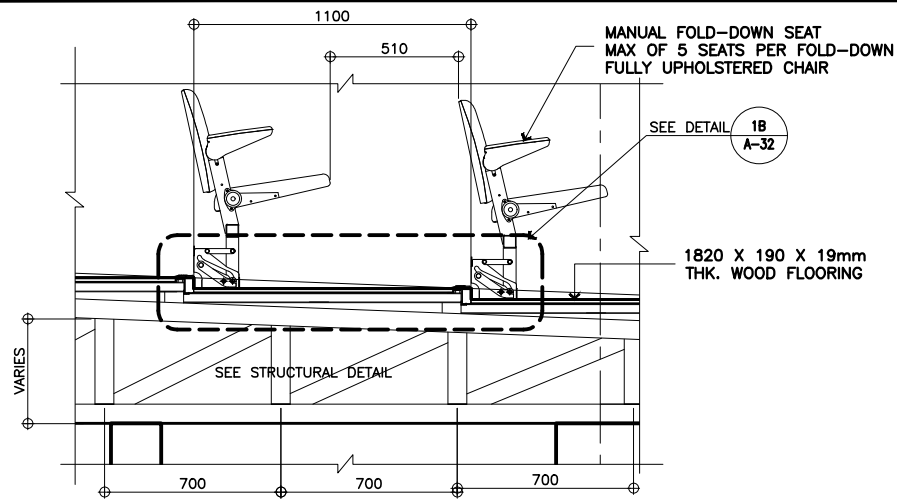
1 TYPICAL CEILING DETAIL
 A-30 SCALE AS SHOWN

	PREPARED BY: ARMAN U. CUEVAS <small>ARCHITECTURAL DESIGN POSITION: ARCHITECT PRC No.: 0018676 TIN No.: 907-359-364 PTR No.: 4020896</small>	SUBMITTED BY: CYNTHIA CLEMEN A. YU <small>ARCHITECT/TEAM LEADER</small>		REVIEWED AS TO DESIGN CONCEPT: JOSEPHINE P. ISTURIS <small>CHIEF, BUILDINGS DIVISION, BOD</small>	RECOMMENDING APPROVAL: <small>(SEE COVER SHEET)</small> LEA N. DELFINADO, CESO IV <small>OFFICER-IN-CHARGE</small>	APPROVED: <small>(SEE COVER SHEET)</small> EMIL K. SADAIN, CESO I <small>UNDERSECRETARY FOR UPMO OPERATIONS & TECHNICAL SERVICES</small>	CONCURRED: <small>(SEE COVER SHEET)</small> ROWENA CANDICE M. RUIZ <small>EXECUTIVE DIRECTOR</small>	PROJECT & LOCATION / BARANGAY: <small>PROPOSED:</small> PROPOSED SEVEN (7) STOREY GOVERNMENT PROCUREMENT POLICY BOARD (GPPB) UP DILIMAN COMPOUND, DILIMAN, QUEZON CITY	SHEET CONTENTS: TYPICAL CEILING DETAIL	SET NO. 	SHEET NO.
	REPUBLIC OF THE PHILIPPINES DEPARTMENT OF PUBLIC WORKS AND HIGHWAYS BUREAU OF DESIGN BUILDINGS DIVISION <small>BONIFACIO DRIVE PORT AREA, MANILA</small>										

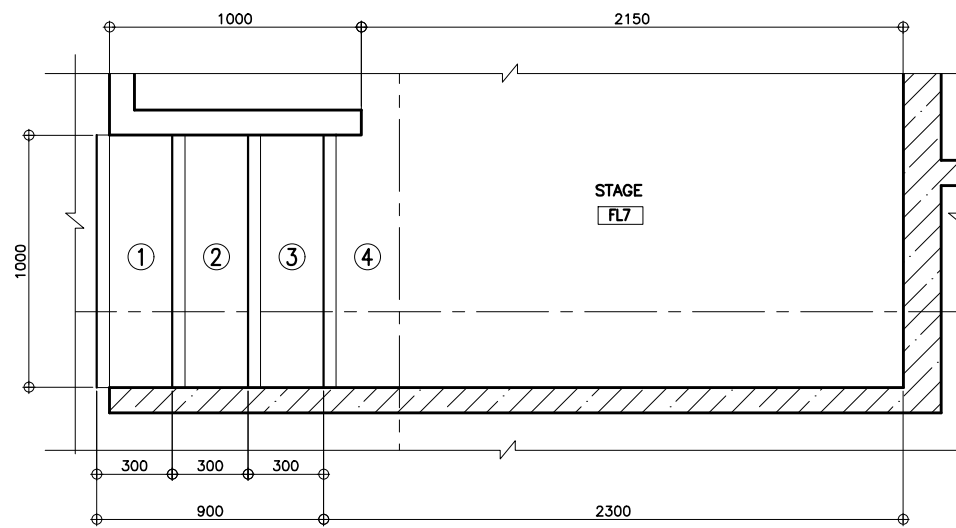


1
A-31
DETAILS OF AUDITORIUM
SCALE AS SHOWN

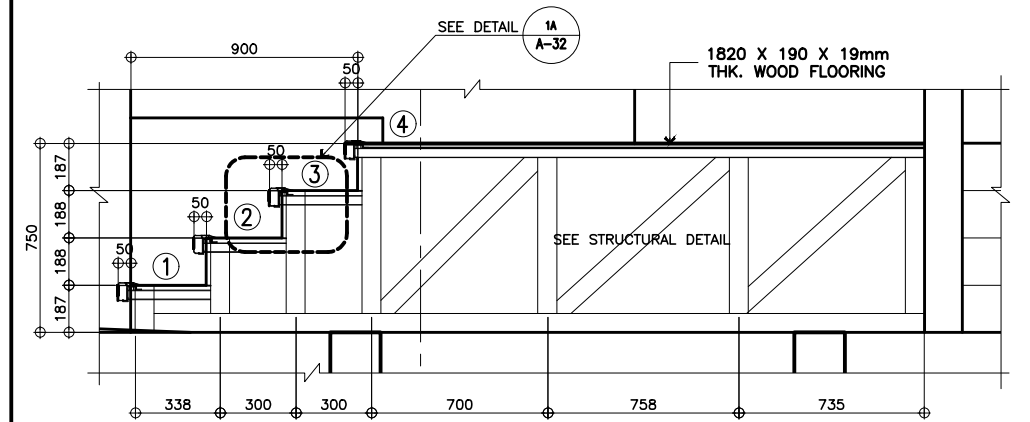
	PREPARED BY:	SUBMITTED BY:		REVIEWED AS TO DESIGN CONCEPT:	RECOMMENDING APPROVAL:	APPROVED:	CONCURRED:	PROJECT & LOCATION / BARANGAY:	SHEET CONTENTS:	SET NO.	SHEET NO.
	ARMAN U. CUEVAS ARCHITECTURAL DESIGN POSITION: ARCHITECT PRC No.: 0018676 TIN No.: 907-359-364 PTR No.: 4020896	CYNTHIA CLEMEN A. YU ARCHITECT/TEAM LEADER		REPUBLIC OF THE PHILIPPINES DEPARTMENT OF PUBLIC WORKS AND HIGHWAYS BUREAU OF DESIGN BUILDINGS DIVISION BONIFACIO DRIVE PORT AREA, MANILA	JOSEPHINE P. ISTURIS CHIEF, BUILDINGS DIVISION, BOD	LEA N. DELFINADO, CESO IV OFFICER-IN-CHARGE	EMIL K. SADAIN, CESO I UNDERSECRETARY FOR UPMO OPERATIONS & TECHNICAL SERVICES	ROWENA CANDICE M. RUIZ EXECUTIVE DIRECTOR	PROPOSED SEVEN (7) STOREY GOVERNMENT PROCUREMENT POLICY BOARD (GPPB) UP DILIMAN COMPOUND, DILIMAN, QUEZON CITY	DETAILS OF AUDITORIUM	BOD A-31



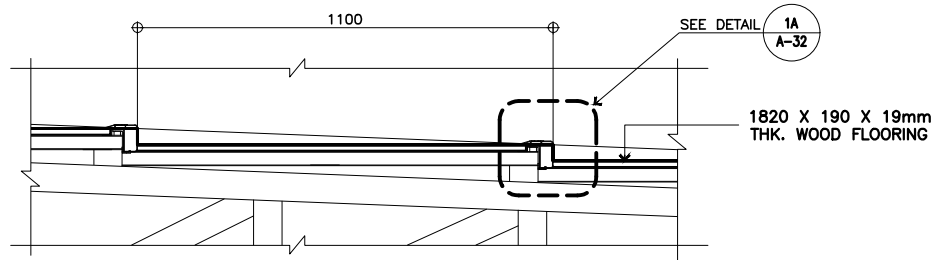
1C
AUDITORIUM
SPOT DETAIL
SCALE 1:5M



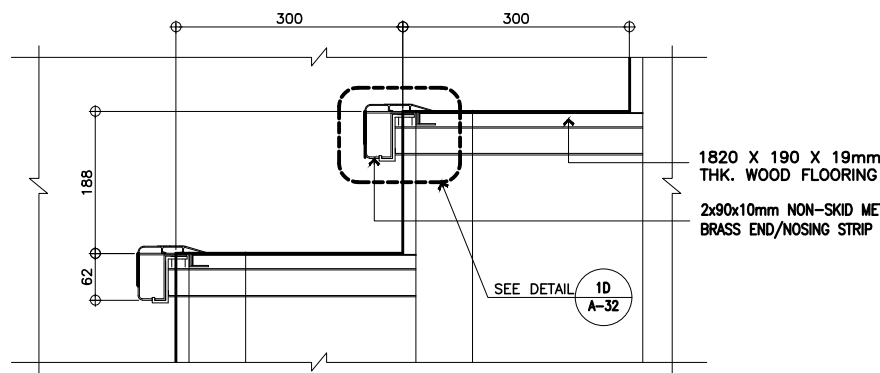
1F
AUDITORIUM
SPOT DETAIL
SCALE 1:15M



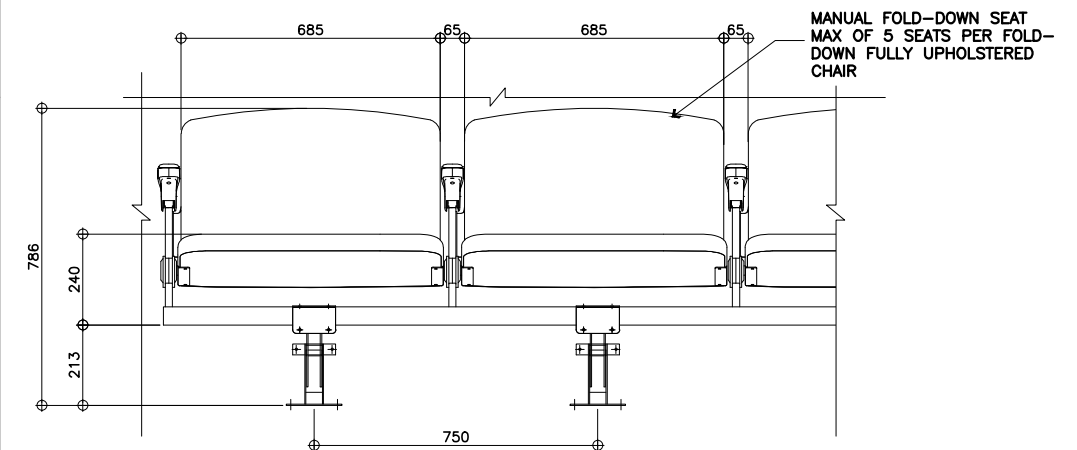
1H
AUDITORIUM
SPOT DETAIL
SCALE 1:15M



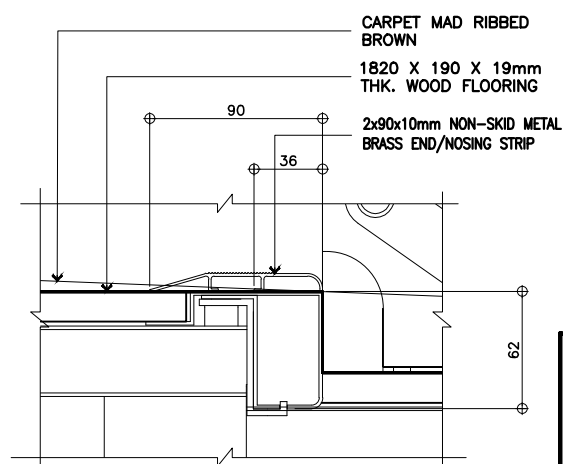
1B
AUDITORIUM
SPOT DETAIL
SCALE 1:10M



1E
AUDITORIUM
SPOT DETAIL
SCALE 1:5M



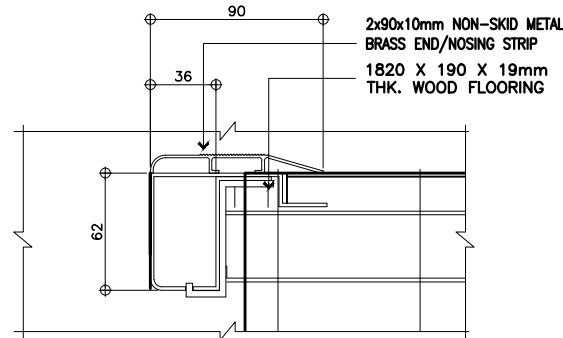
FRONT



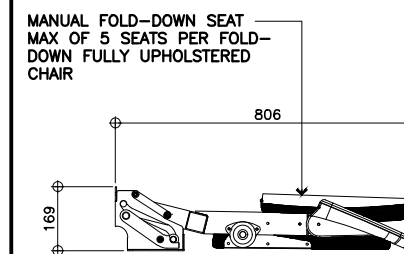
1A
AUDITORIUM
SPOT DETAIL
SCALE 1:2M

NOTE:
PURSUANT TO SECTION 4 OF ANNEX "A" OF THE REVISED IMPLEMENTING RULES AND REGULATION OF R.A. 9184, APPROVAL BY THE AUTHORIZED DPWH OFFICIALS OF DETAILED ENGINEERING SURVEYS AND DESIGN UNDERTAKEN BY CONSULTANTS NEITHER DIMINISHES THE RESPONSIBILITY OF THE LATTER FOR THE TECHNICAL INTEGRITY OF THE SURVEYS AND DESIGN NOR TRANSFER ANY PART OF THAT RESPONSIBILITY TO THE APPROVING OFFICIALS.

THE DESIGN CONSULTANT SHALL BE HELD FULLY RESPONSIBLE FOR THE FAILURE OF THE FACILITY/IES/STRUCTURES DUE TO FAULTY DESIGN EXCEPT FOR THE CHANGES MADE WITHOUT THE CONFORMITY OF THE CONSULTANTS.



1D
AUDITORIUM
SPOT DETAIL
SCALE 1:2M

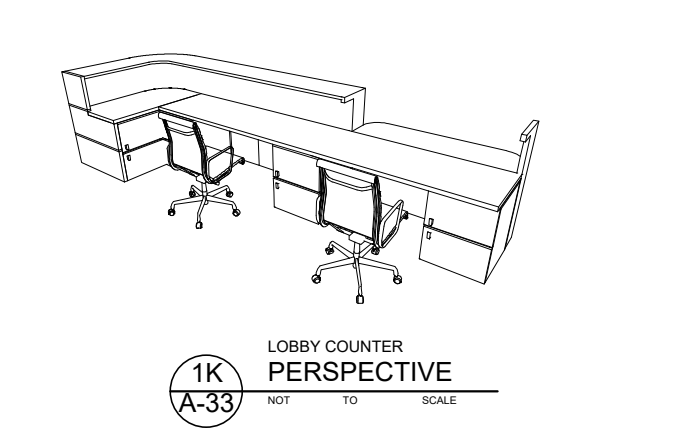
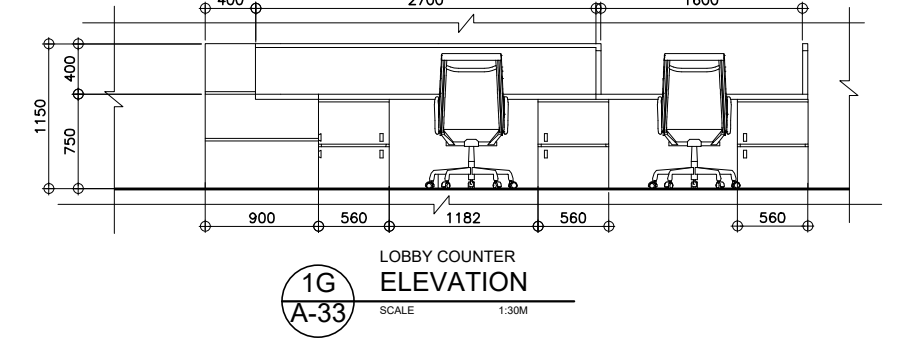
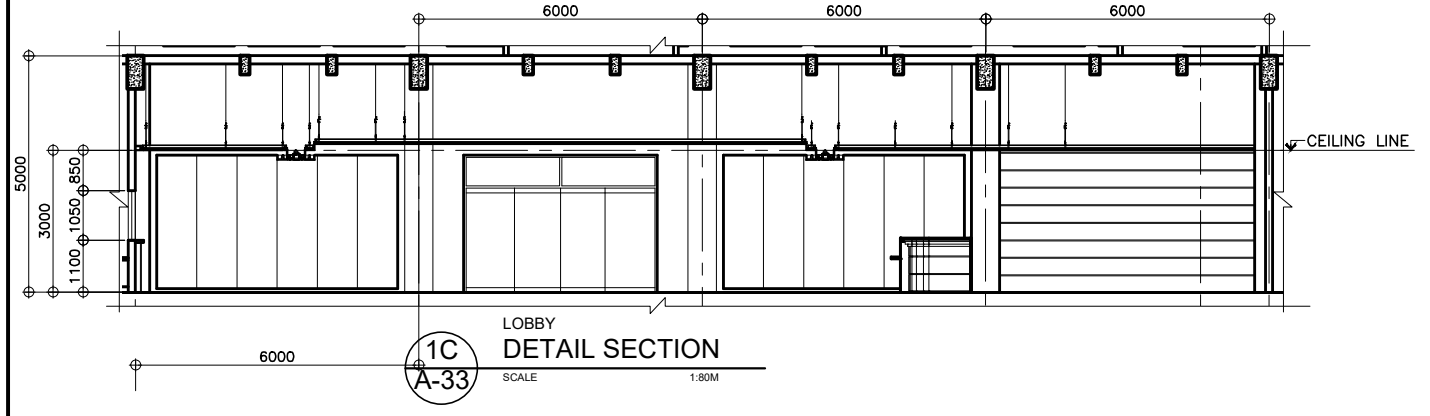
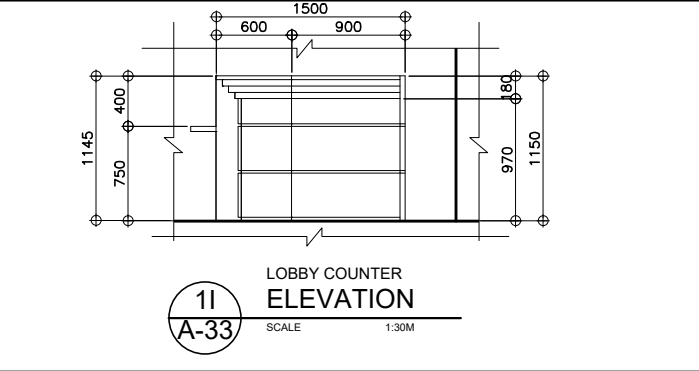
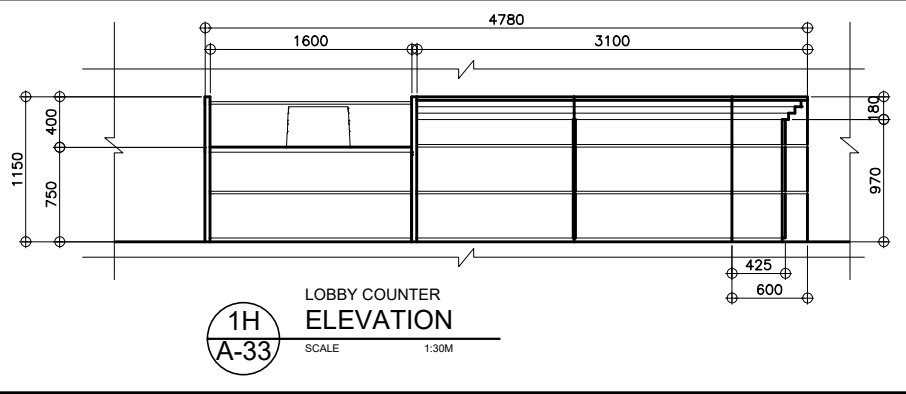
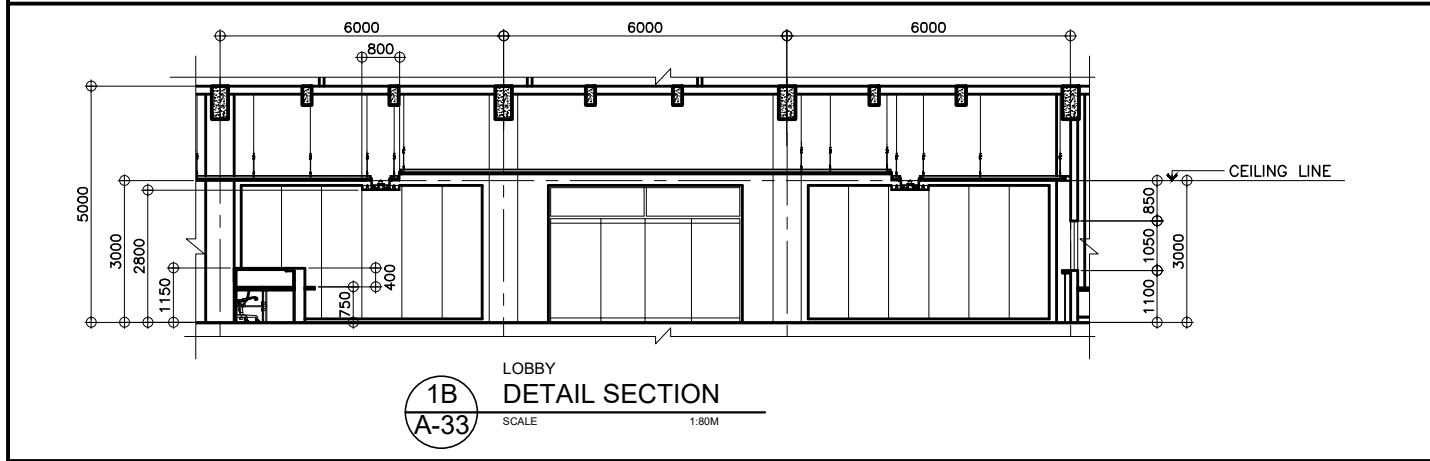
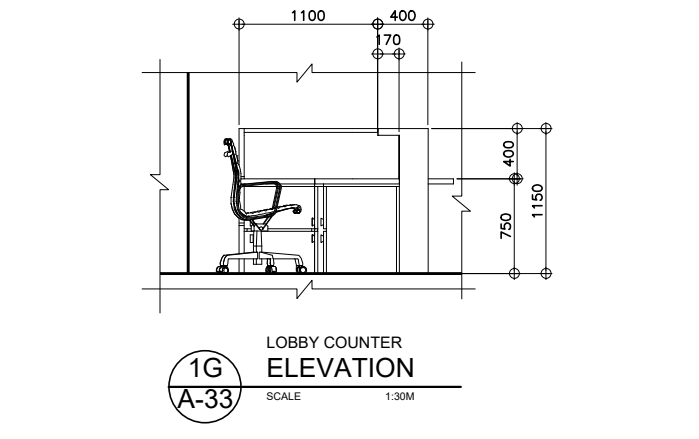
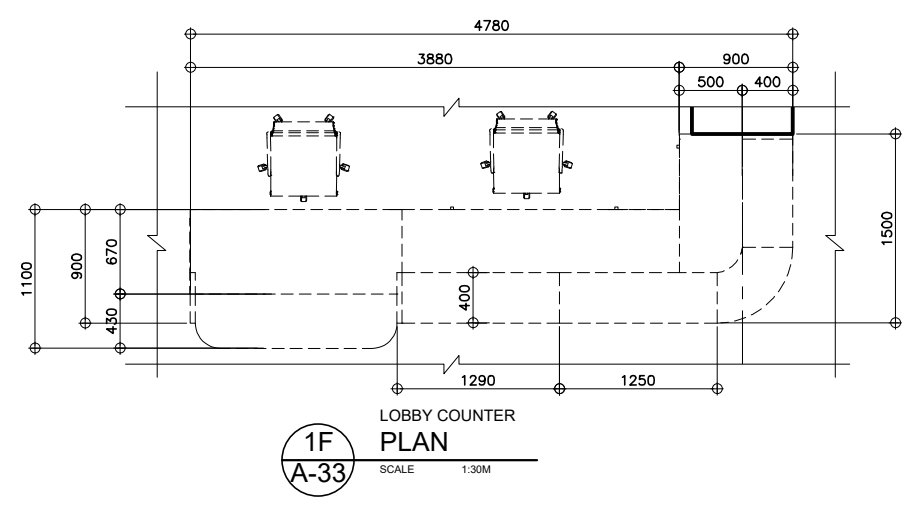
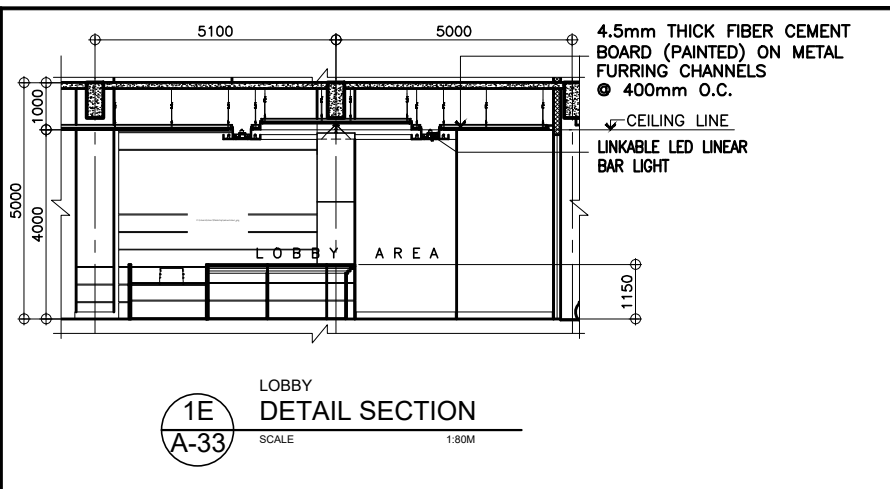
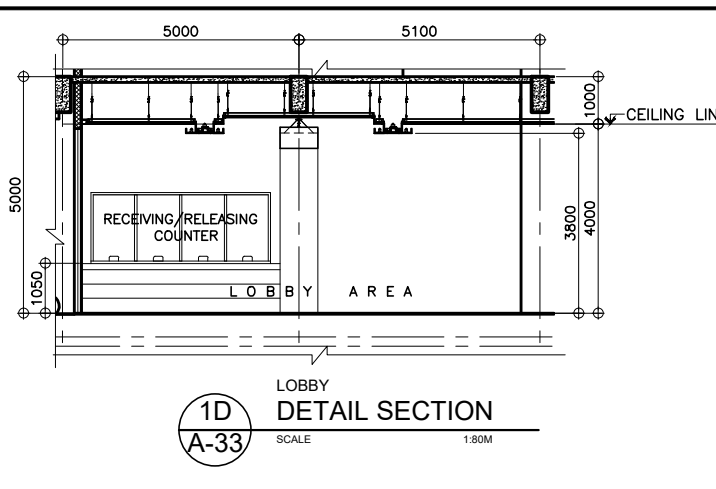
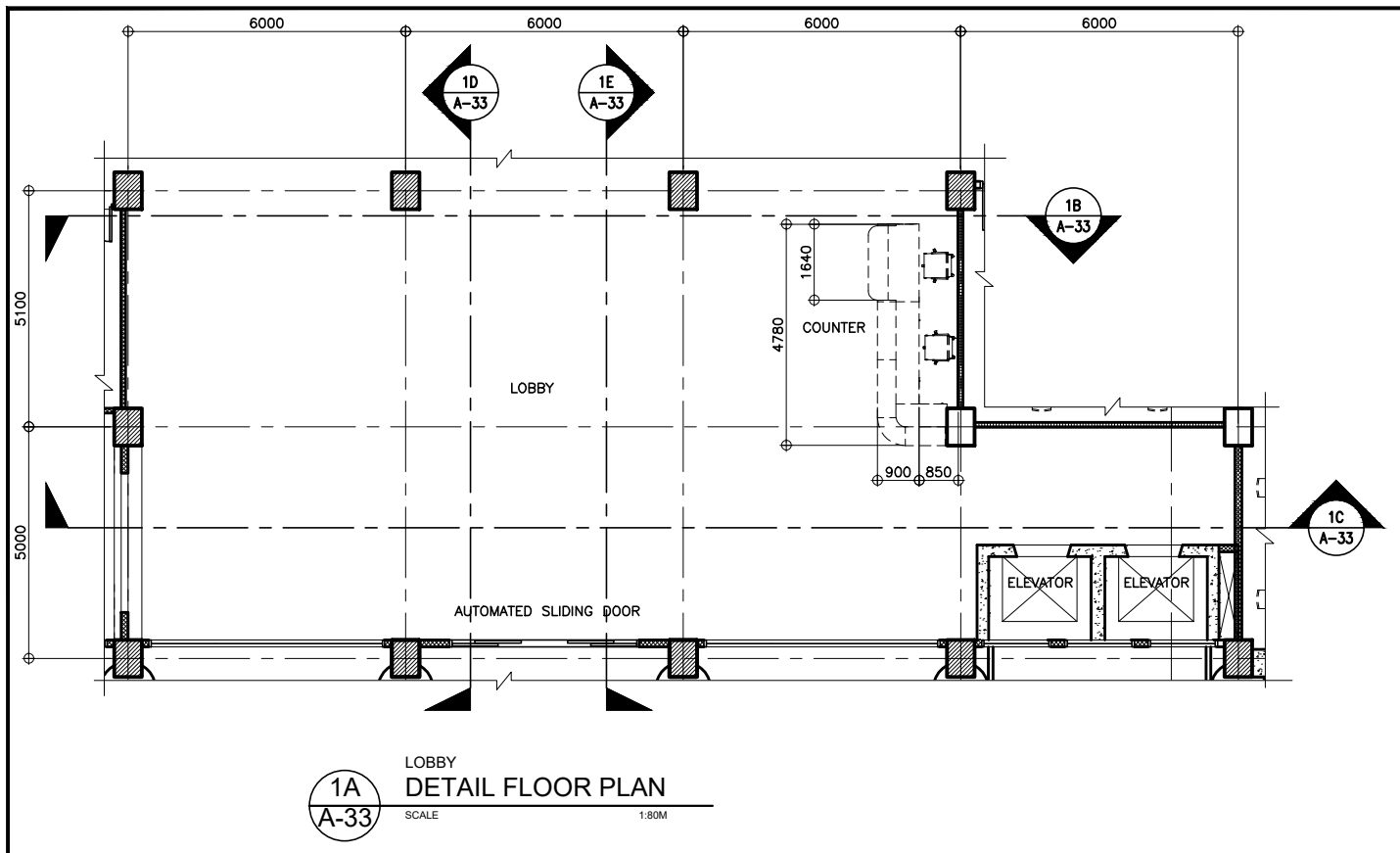


SIDE ELEVATION

1G
AUDITORIUM
MANUAL FOLD-DOWN SEAT
SCALE 1:10M

1 SPOT DETAILS OF AUDITORIUM SEATING AND STAIR
SCALE AS SHOWN

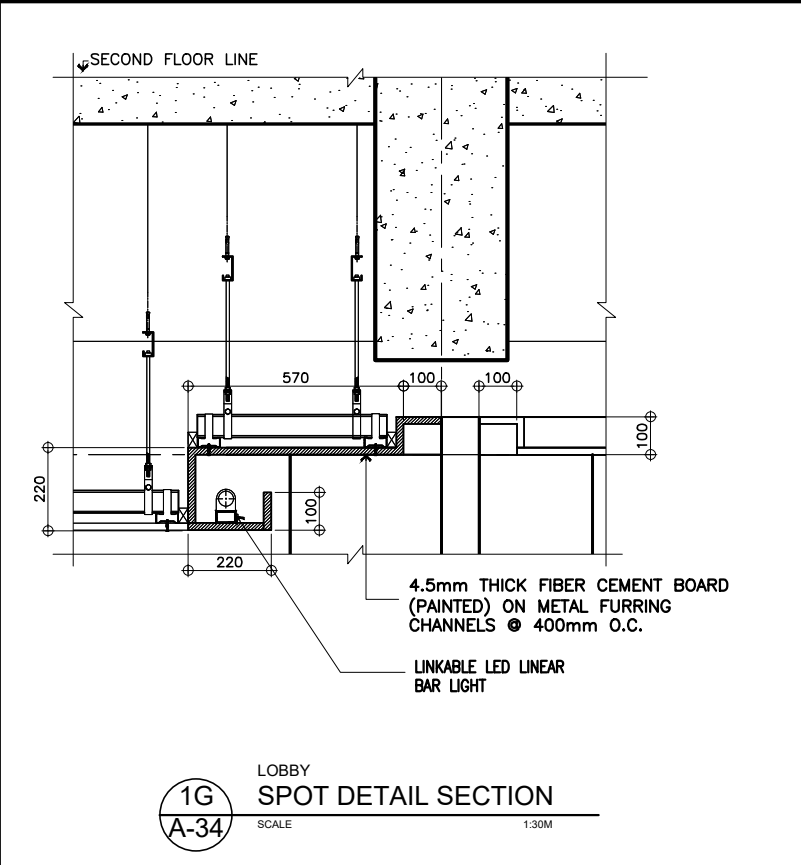
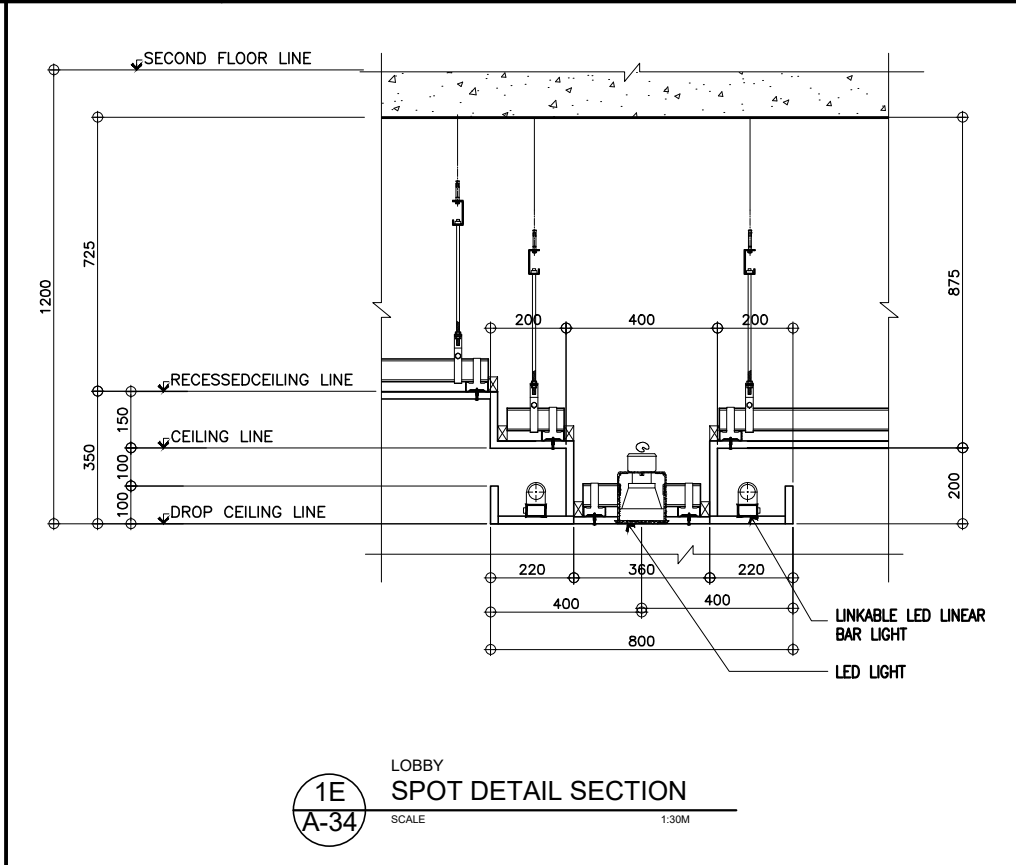
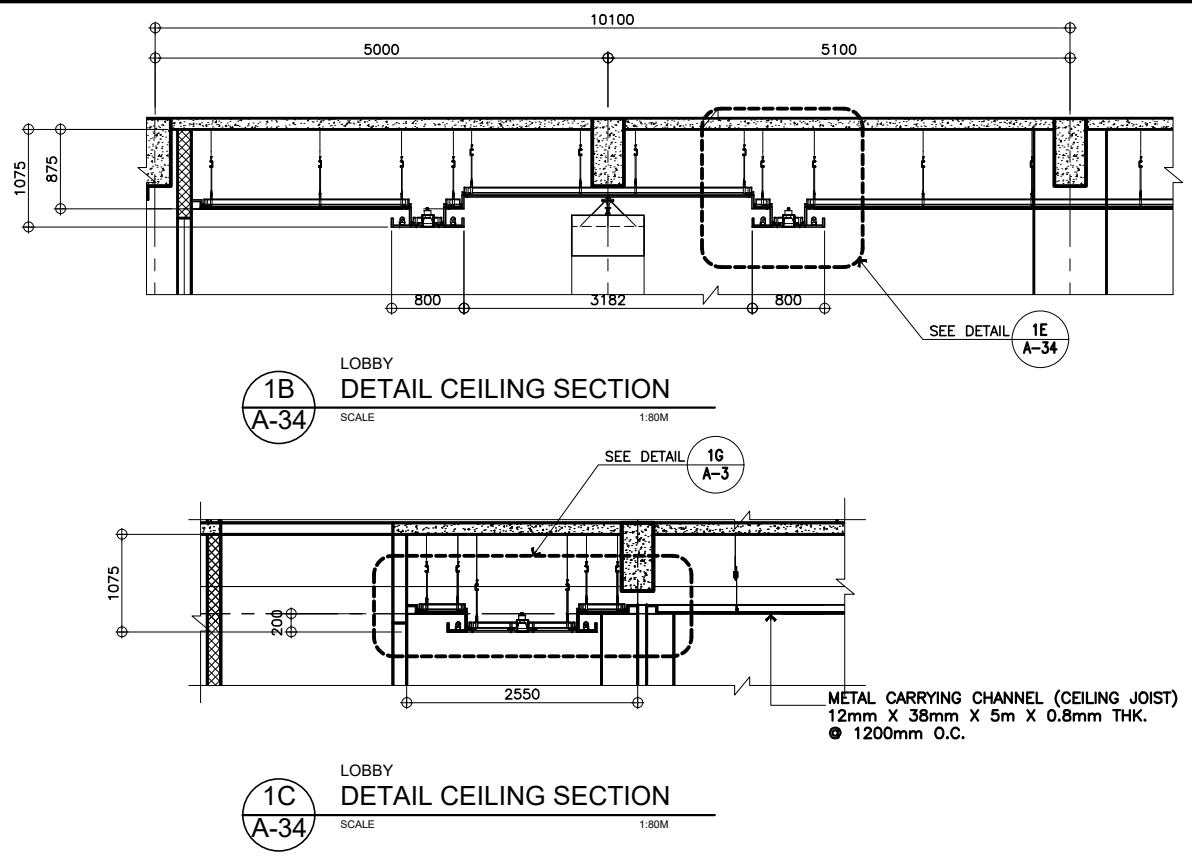
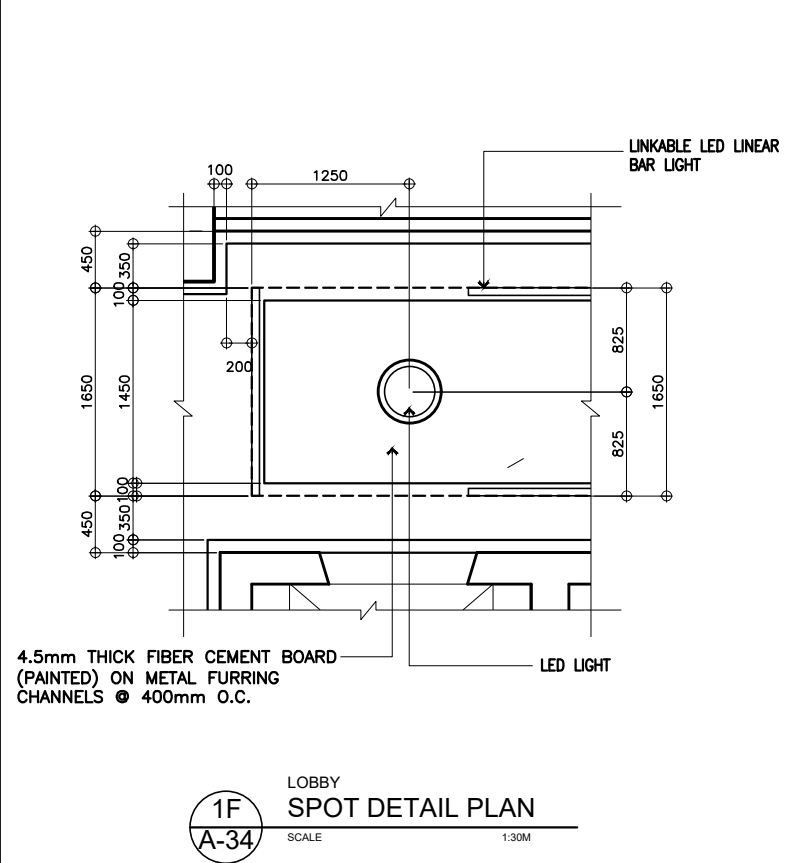
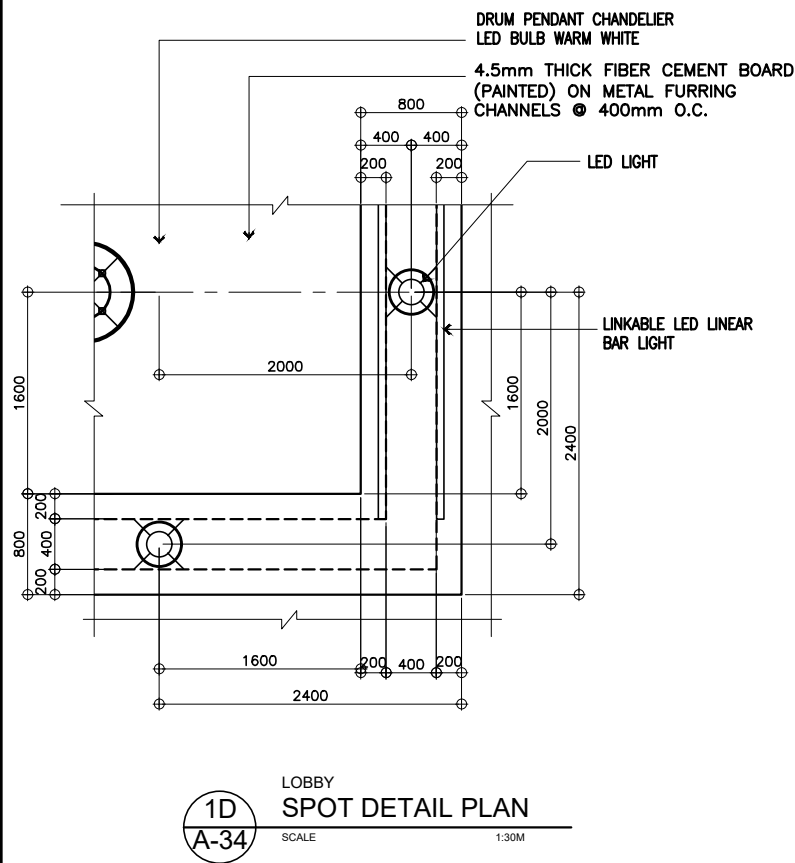
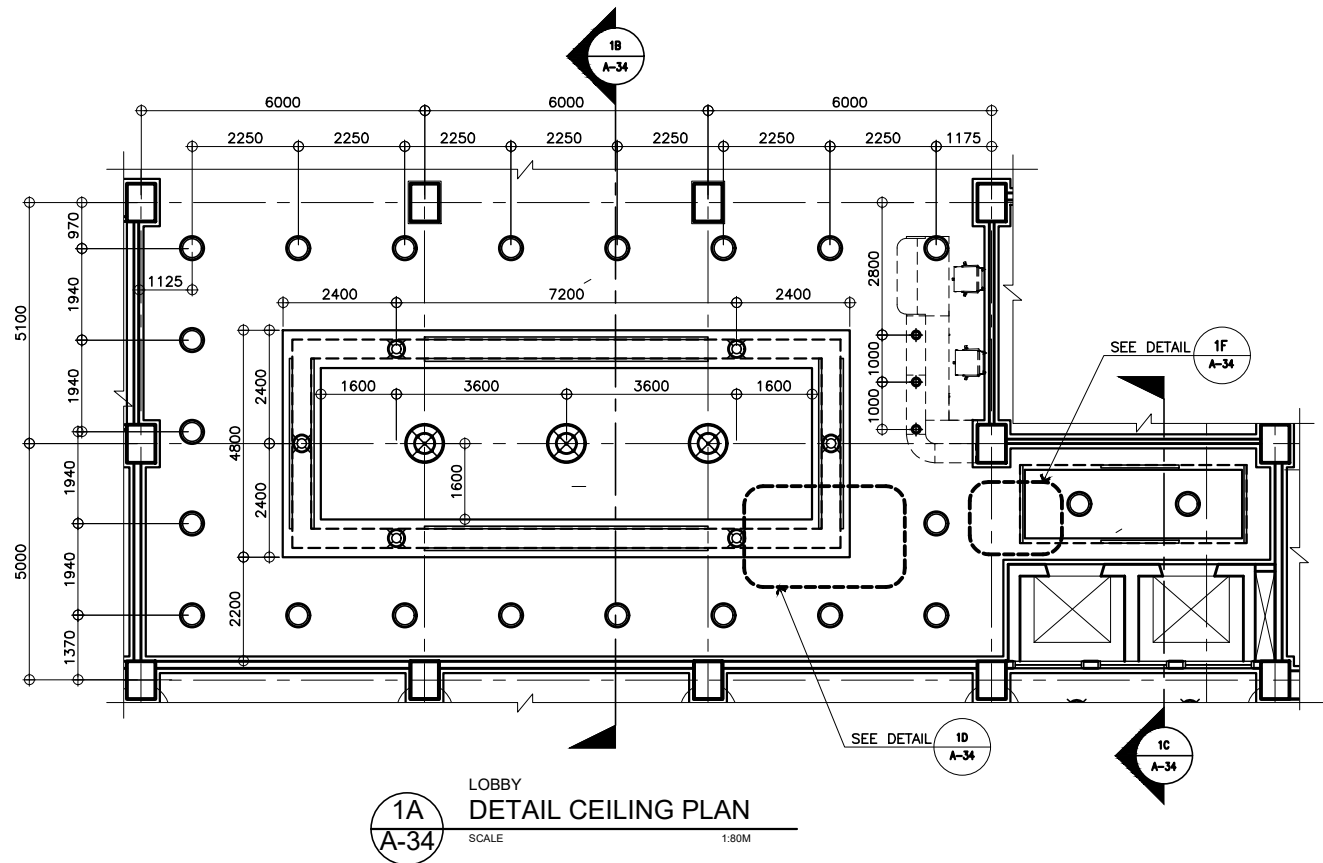
	PREPARED BY:	SUBMITTED BY:		REVIEWED AS TO DESIGN CONCEPT:	RECOMMENDING APPROVAL:	APPROVED:	CONCURRED:	PROJECT & LOCATION / BARANGAY:	SHEET CONTENTS:	SET NO.	SHEET NO.
	ARMAN U. CUEVAS <small>ARCHITECTURAL DESIGN POSITION: ARCHITECT PRC No.: 0018676 TIN No.: 907-359-364 PTR No.: 4020896</small>	CYNTHIA CLEMEN A. YU <small>ARCHITECT/TEAM LEADER</small>		REPUBLIC OF THE PHILIPPINES DEPARTMENT OF PUBLIC WORKS AND HIGHWAYS BUREAU OF DESIGN BUILDINGS DIVISION <small>BONIFACIO DRIVE PORT AREA, MANILA</small>	JOSEPHINE P. ISTURIS <small>CHIEF, BUILDINGS DIVISION, BOD</small>	LEA N. DELFINADO, CESO IV <small>OFFICER-IN-CHARGE</small>	EMIL K. SADAIN, CESO I <small>UNDERSECRETARY FOR UPMO OPERATIONS & TECHNICAL SERVICES</small>	ROWENA CANDICE M. RUIZ <small>EXECUTIVE DIRECTOR</small>	PROPOSED: PROPOSED SEVEN (7) STOREY GOVERNMENT PROCUREMENT POLICY BOARD (GPPB) UP DILIMAN COMPOUND, DILIMAN, QUEZON CITY	SPOT DETAIL OF AUDITORIUM SEATING AND STAIR	BOD A-32



1
A-33
SCALE AS SHOWN

GROUND FLOOR
DETAILS OF LOBBY AND COUNTER

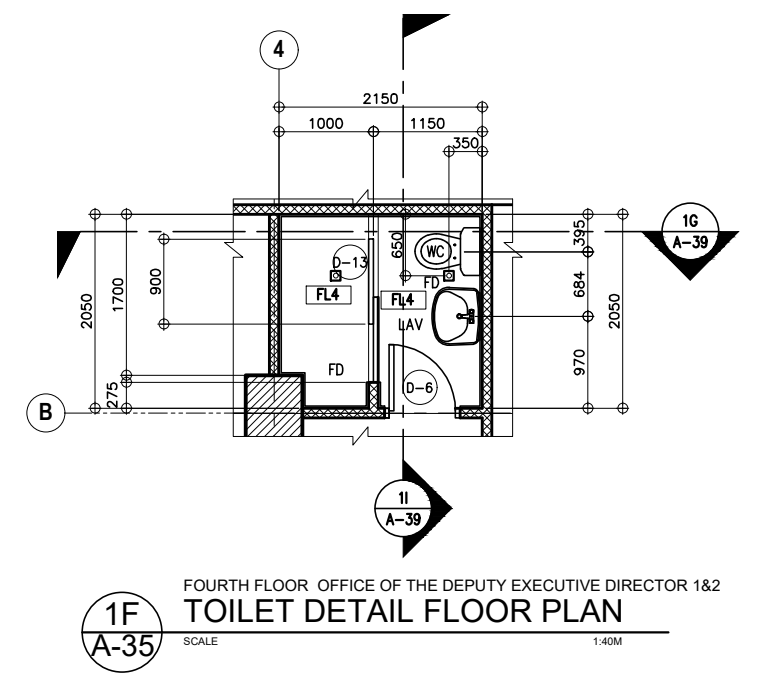
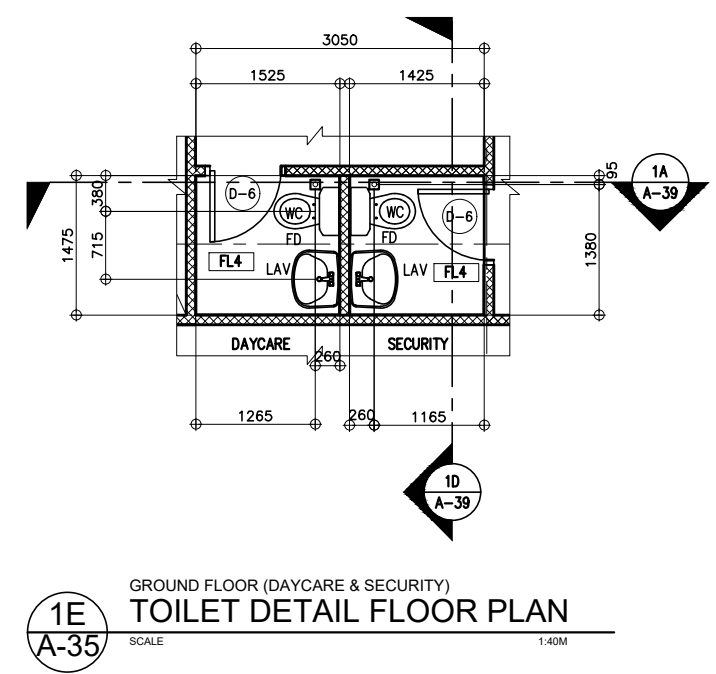
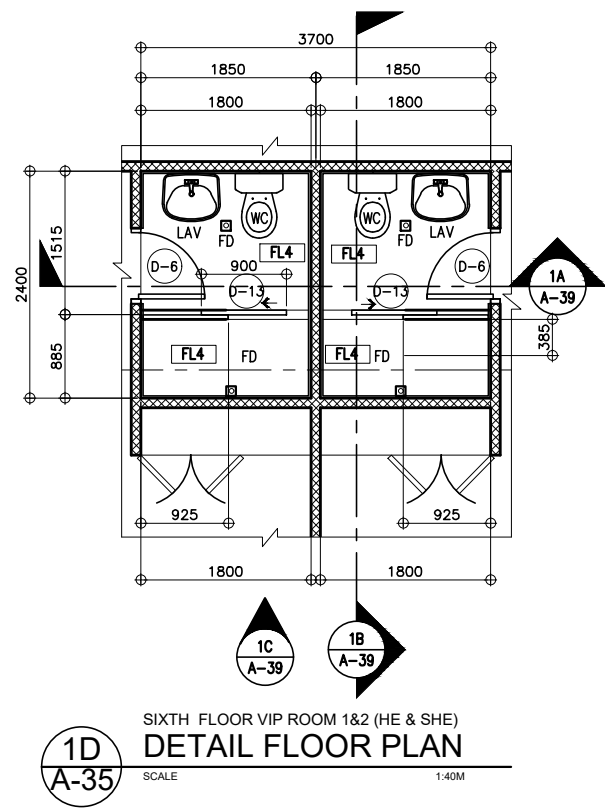
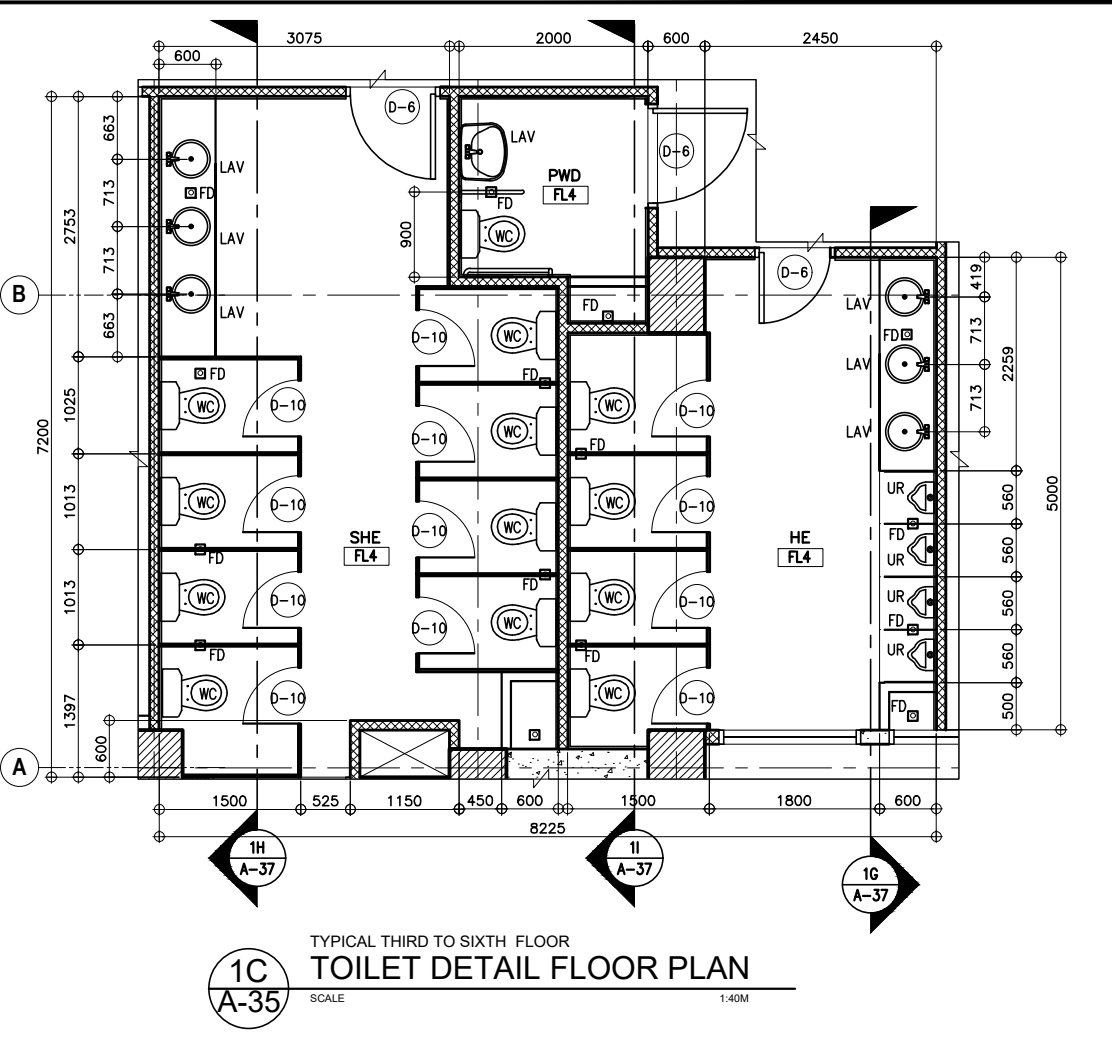
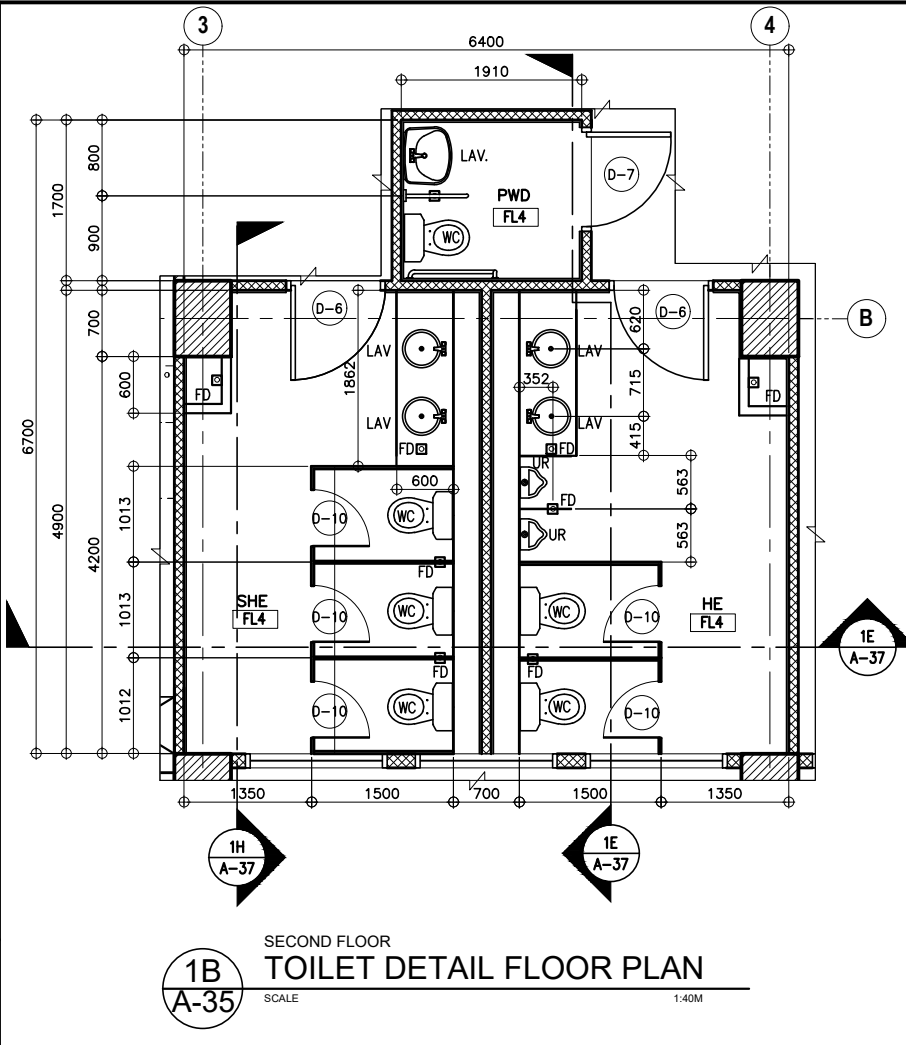
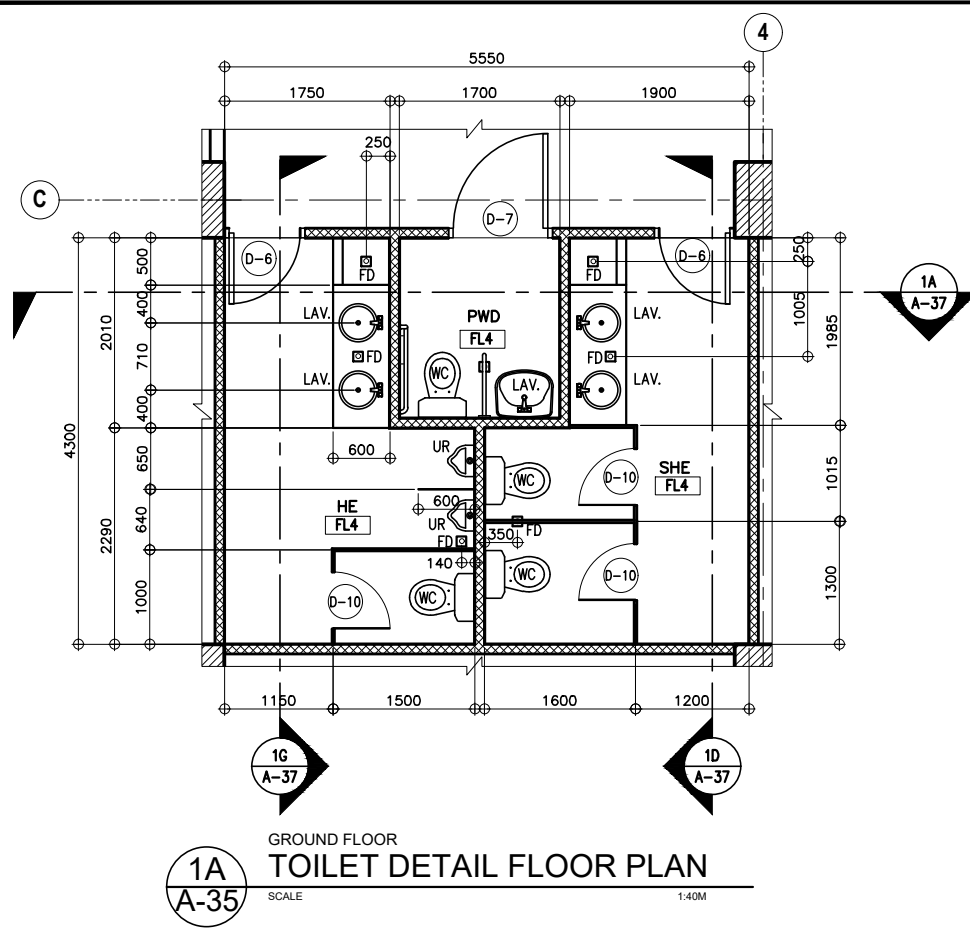
<p>UNITED TECHNOLOGIES CONSOLIDATED PARTNERSHIP</p>	PREPARED BY: ARMAN U. CUEVAS <small>ARCHITECTURAL DESIGN POSITION: ARCHITECT PRC No.: 0018676 TIN No.: 907-359-364 PTR No.: 4020966</small>	SUBMITTED BY: CYNTHIA CLEMEN A. YU <small>ARCHITECT/TEAM LEADER</small>	<p>REPUBLIC OF THE PHILIPPINES DEPARTMENT OF PUBLIC WORKS AND HIGHWAYS BUREAU OF DESIGN BUILDINGS DIVISION BONIFACIO DRIVE PORT AREA, MANILA</p>	REVIEWED AS TO DESIGN CONCEPT: JOSEPHINE P. ISTURIS <small>CHIEF, BUILDINGS DIVISION, BOD</small>	RECOMMENDING APPROVAL: <small>(SEE COVER SHEET)</small> LEA N. DELFINADO, CESO IV <small>OFFICER-IN-CHARGE</small>	APPROVED: <small>(SEE COVER SHEET)</small> EMIL K. SADAIN, CESO I <small>UNDERSECRETARY FOR UPMO OPERATIONS & TECHNICAL SERVICES</small>	CONCURRED: <small>(SEE COVER SHEET)</small> ROWENA CANDICE M. RUIZ <small>EXECUTIVE DIRECTOR</small>	PROJECT & LOCATION / BARANGAY: <small>PROPOSED:</small> PROPOSED SEVEN (7) STOREY GOVERNMENT PROCUREMENT POLICY BOARD (GPPB) UP DILIMAN COMPOUND, DILIMAN, QUEZON CITY.	SHEET CONTENTS: DETAILS OF LOBBY AND COUNTER	SET NO. BOD A-33	SHEET NO. 35 <small>216</small>



1
A-34
SCALE AS SHOWN

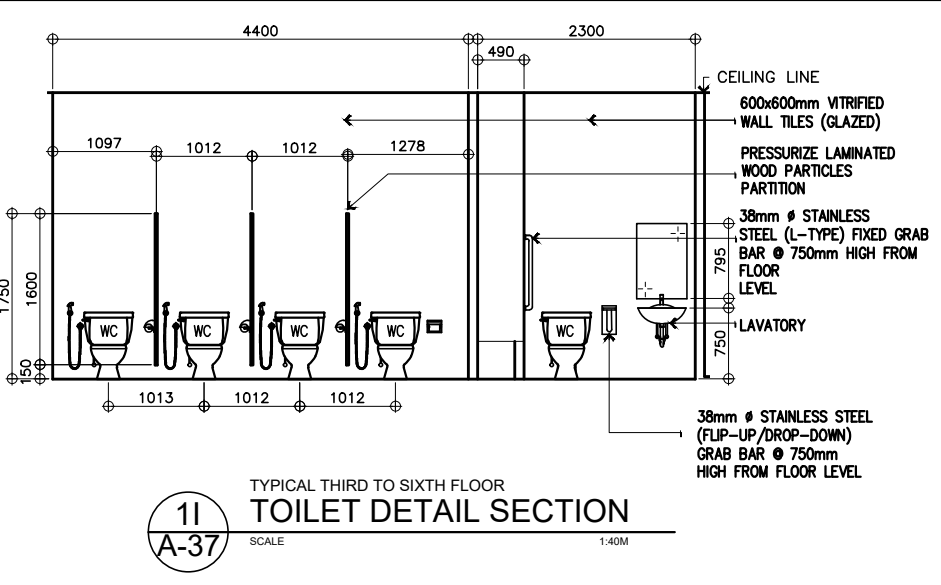
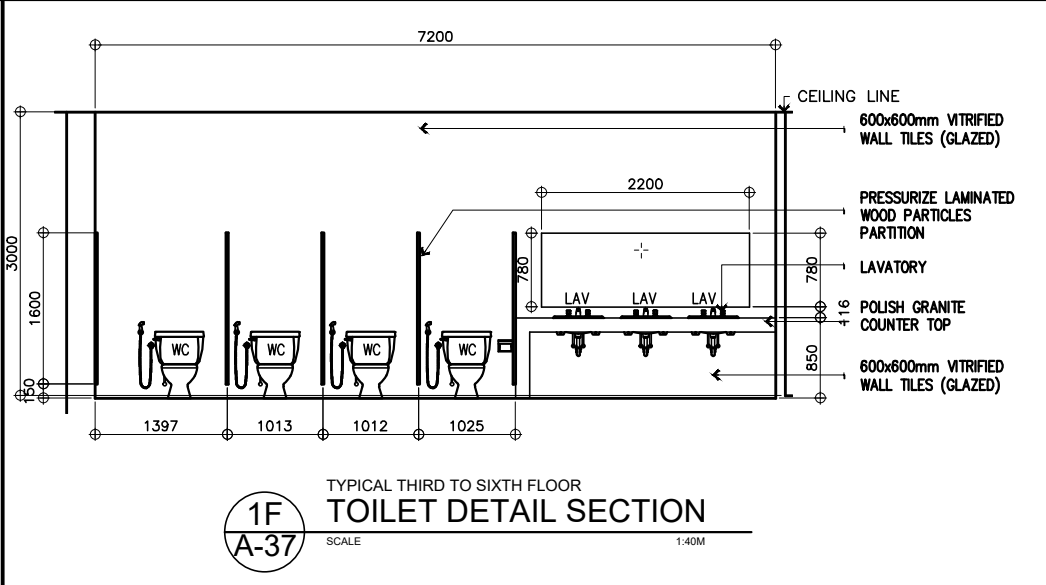
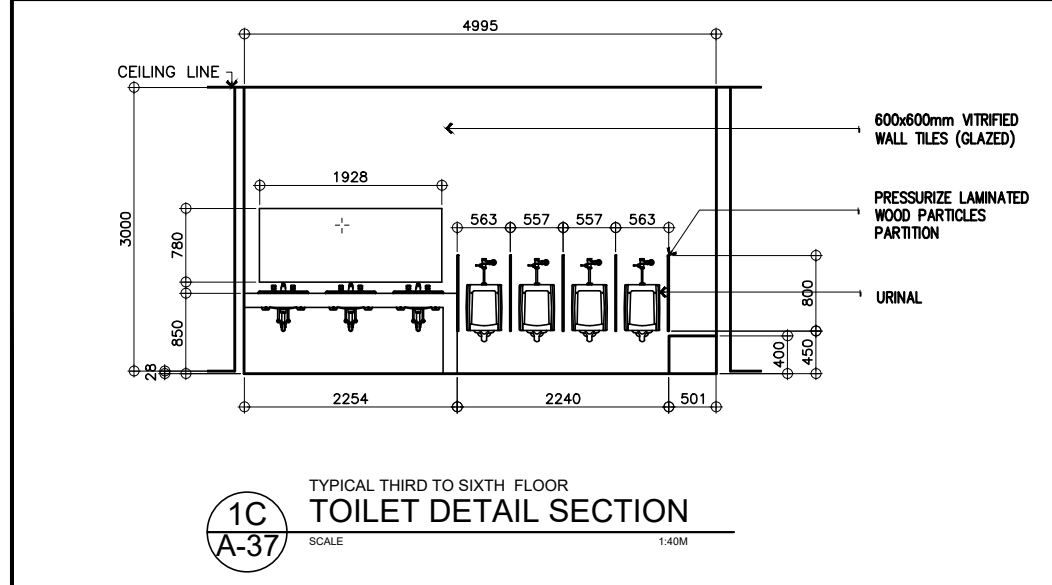
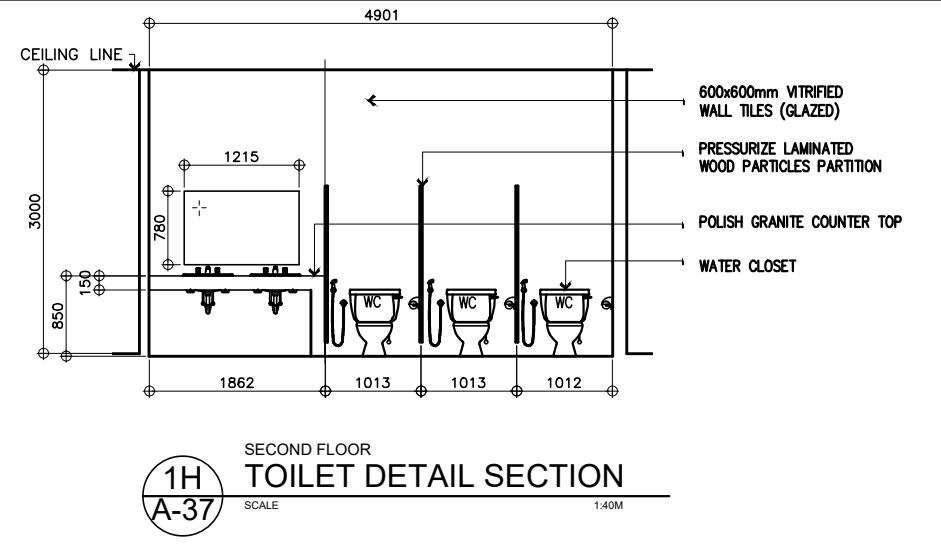
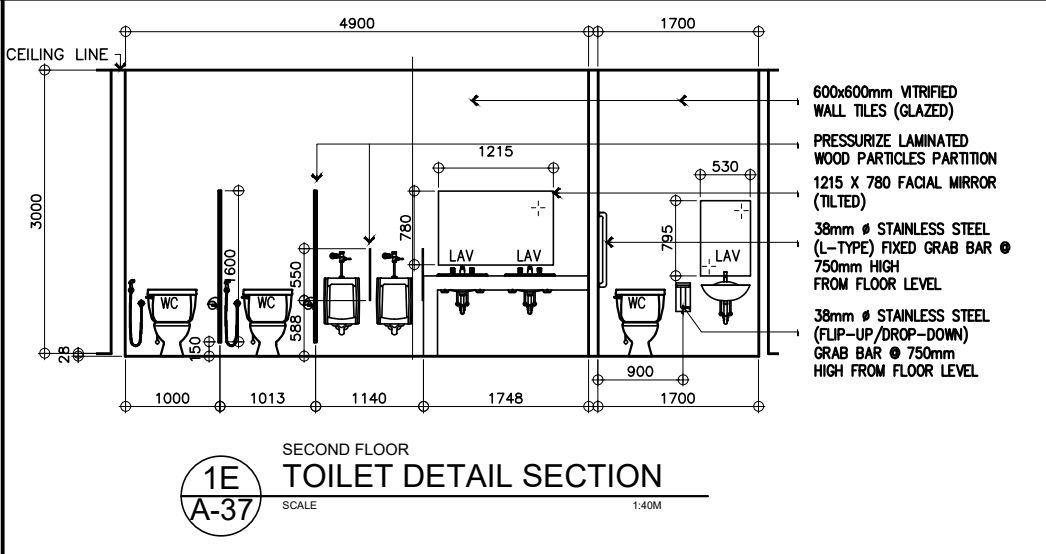
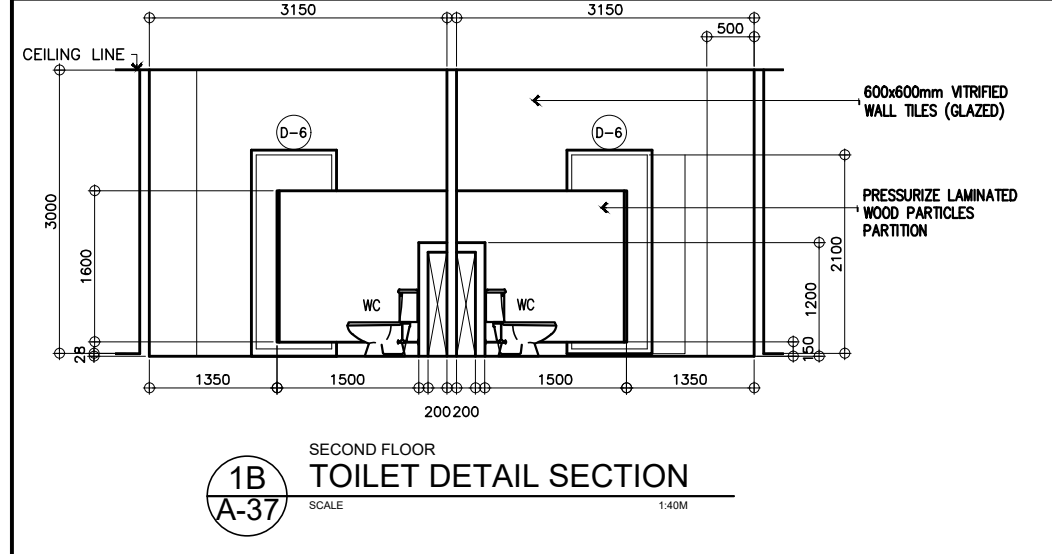
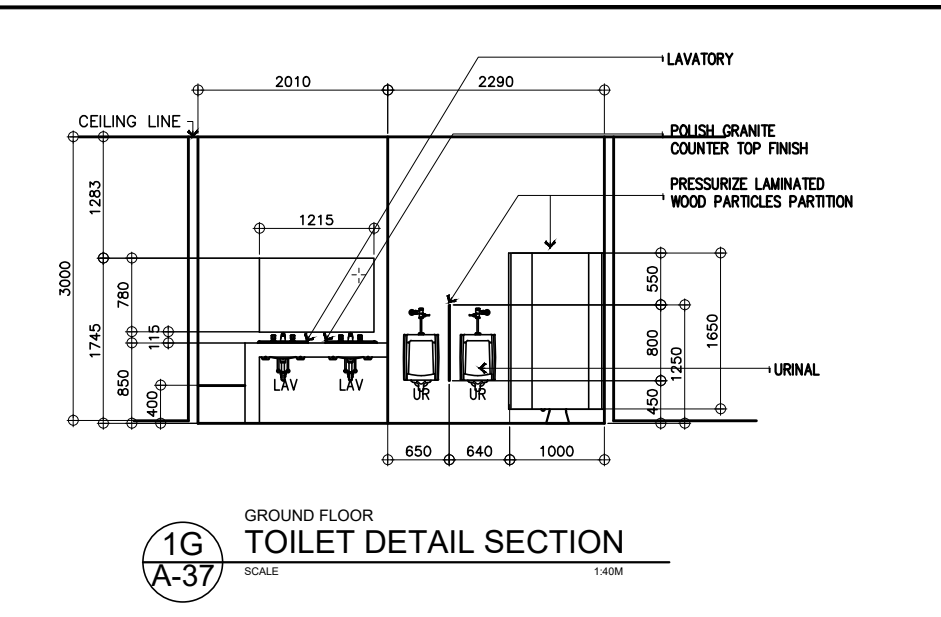
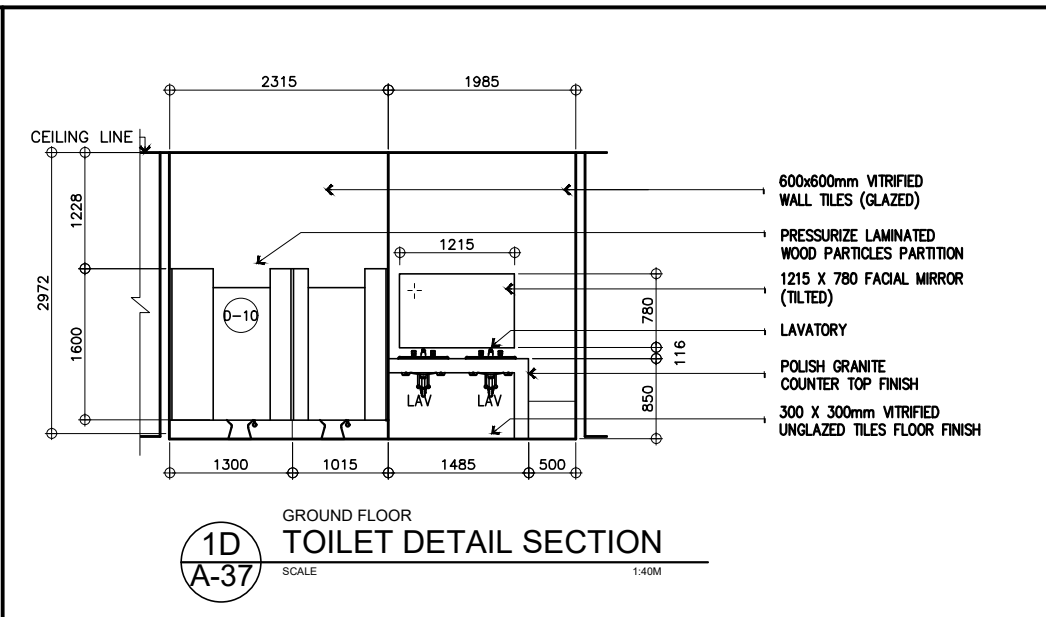
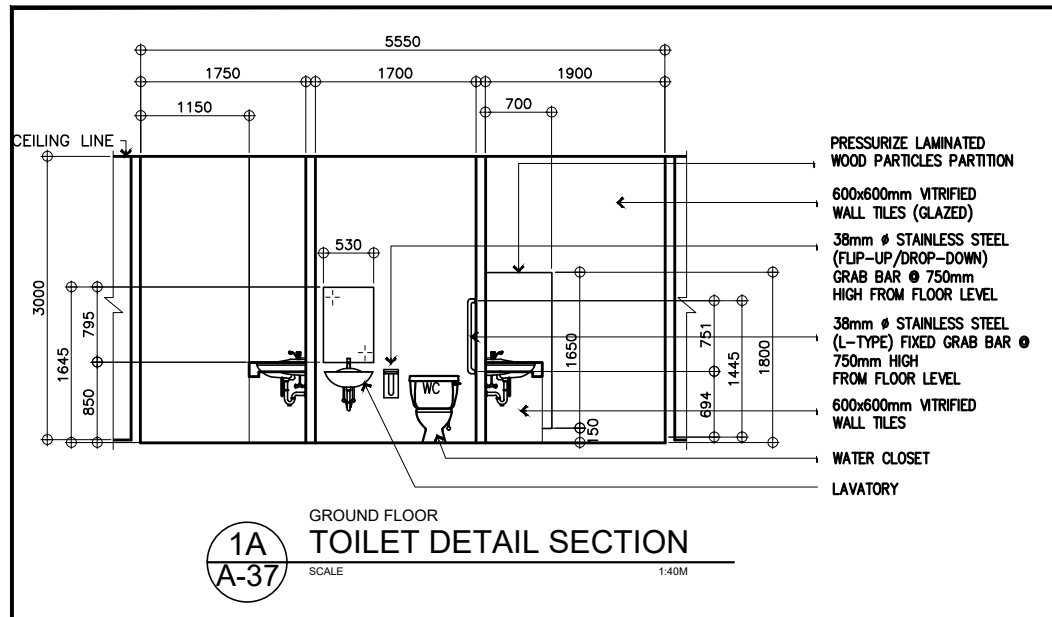
GROUND FLOOR
DETAILS OF LOBBY CEILING

	PREPARED BY: ARMAN U. CUEVAS <small>ARCHITECTURAL DESIGN POSITION: ARCHITECT PRC No.: 0018676 TIN No.: 907-359-364 PTR No.: 4020996</small>	SUBMITTED BY: CYNTHIA CLEMEN A. YU <small>ARCHITECT/TEAM LEADER</small>		REVIEWED AS TO DESIGN CONCEPT: JOSEPHINE P. ISTURIS <small>CHIEF, BUILDINGS DIVISION, BOD</small>	RECOMMENDING APPROVAL: <small>(SEE COVER SHEET)</small> LEA N. DELFINADO, CESO IV <small>OFFICER-IN-CHARGE</small>	APPROVED: <small>(SEE COVER SHEET)</small> EMIL K. SADAIN, CESO I <small>UNDERSECRETARY FOR UPMO OPERATIONS & TECHNICAL SERVICES</small>	CONCURRED: <small>(SEE COVER SHEET)</small> ROWENA CANDICE M. RUIZ <small>EXECUTIVE DIRECTOR</small>	PROJECT & LOCATION / BARANGAY: <small>PROPOSED:</small> PROPOSED SEVEN (7) STOREY GOVERNMENT PROCUREMENT POLICY BOARD (GPPB) UP DILIMAN COMPOUND, DILIMAN, QUEZON CITY.	SHEET CONTENTS: DETAILS OF LOBBY CEILING	SET NO. BOD A-34	SHEET NO. 36 216
	UNITED TECHNOLOGIES CONSOLIDATED PARTNERSHIP			REPUBLIC OF THE PHILIPPINES DEPARTMENT OF PUBLIC WORKS AND HIGHWAYS BUREAU OF DESIGN BUILDINGS DIVISION <small>BONIFACIO DRIVE PORT AREA, MANILA</small>							



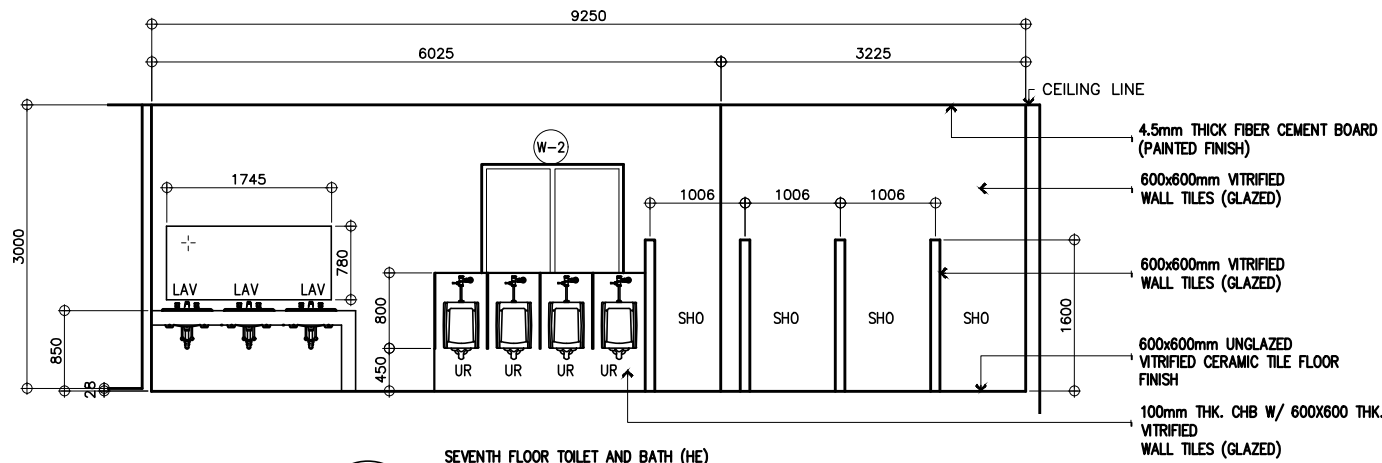
1 TOILET PLAN DETAILS
A-35 SCALE AS SHOWN

<p>UNITED TECHNOLOGIES CONSOLIDATED PARTNERSHIP</p>	PREPARED BY:	SUBMITTED BY:	<p>REPUBLIC OF THE PHILIPPINES DEPARTMENT OF PUBLIC WORKS AND HIGHWAYS BUREAU OF DESIGN BUILDINGS DIVISION BONIFACIO DRIVE PORT AREA, MANILA</p>	REVIEWED AS TO DESIGN CONCEPT:	RECOMMENDING APPROVAL:	APPROVED:	CONCURRED:	PROJECT & LOCATION / BARANGAY:	SHEET CONTENTS:	SET NO.	SHEET NO.
	<p>ARMAN U. CUEVAS ARCHITECTURAL DESIGN POSITION: ARCHITECT PRC No.: 001887/8 TIN No.: 907-359-364 PTR No.: 4022896</p>	<p>CYNTHIA CLEMEN A. YU ARCHITECT/TEAM LEADER</p>		<p>JOSEPHINE P. ISTURIS CHIEF, BUILDINGS DIVISION, BOD</p>	<p>LEA N. DELFINADO, CESO IV OFFICER-IN-CHARGE</p>	<p>EMIL K. SADAIN, CESO I UNDERSECRETARY FOR UPMO OPERATIONS & TECHNICAL SERVICES</p>	<p>ROWENA CANDICE M. RUIZ EXECUTIVE DIRECTOR</p>	<p>PROPOSED SEVEN (7) STOREY GOVERNMENT PROCUREMENT POLICY BOARD (GPPB) UP DILIMAN COMPOUND, DILIMAN, QUEZON CITY</p>	TOILET PLAN DETAILS	<p>BOD A-35</p>	<p>37 216</p>

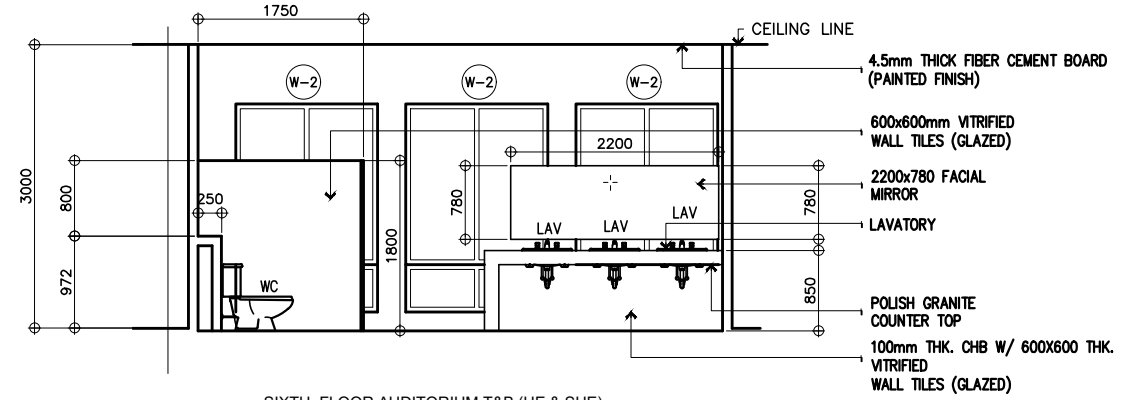


1
A-37
TOILET SECTION DETAILS
SCALE AS SHOWN

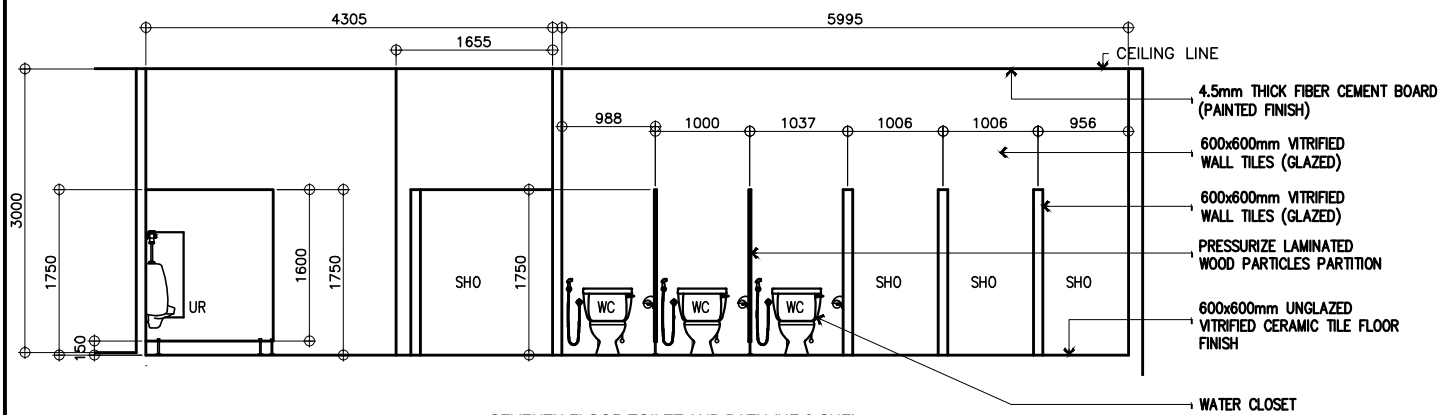
UNITED TECHNOLOGIES CONSOLIDATED PARTNERSHIP	PREPARED BY:	SUBMITTED BY:	REPUBLIC OF THE PHILIPPINES DEPARTMENT OF PUBLIC WORKS AND HIGHWAYS BUREAU OF DESIGN BUILDINGS DIVISION BONIFACIO DRIVE PORT AREA, MANILA	REVIEWED AS TO DESIGN CONCEPT:	RECOMMENDING APPROVAL:	APPROVED:	CONCURRED:	PROJECT & LOCATION / BARANGAY:	SHEET CONTENTS:	SET NO.	SHEET NO.
	ARMAN U. CUEVAS ARCHITECTURAL DESIGN POSITION: ARCHITECT PRC No.: 0018878 TIN No.: 907-359-364 PTR No.: 4020896	CYNTHIA CLEMEN A. YU ARCHITECT/TEAM LEADER		JOSEPHINE P. ISTURIS CHIEF, BUILDINGS DIVISION, BOD	LEA N. DELFINADO, CESO IV OFFICER-IN-CHARGE	EMIL K. SADAIN, CESO I UNDERSECRETARY FOR UPMA OPERATIONS & TECHNICAL SERVICES	ROWENA CANDICE M. RUIZ EXECUTIVE DIRECTOR	PROPOSED SEVEN (7) STOREY GOVERNMENT PROCUREMENT POLICY BOARD (GPPB) UP DILIMAN COMPOUND, DILIMAN, QUEZON CITY	TOILET SECTION DETAILS	BOD A-37	39 216



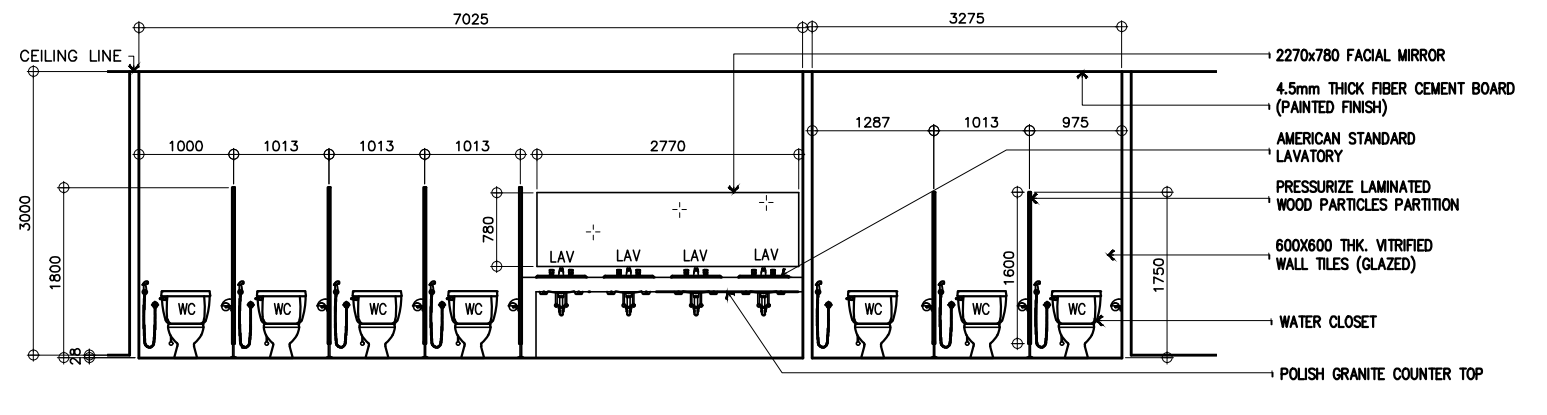
1A
SEVENTH FLOOR TOILET AND BATH (HE)
DETAIL SECTION "A"
SCALE 1:40M



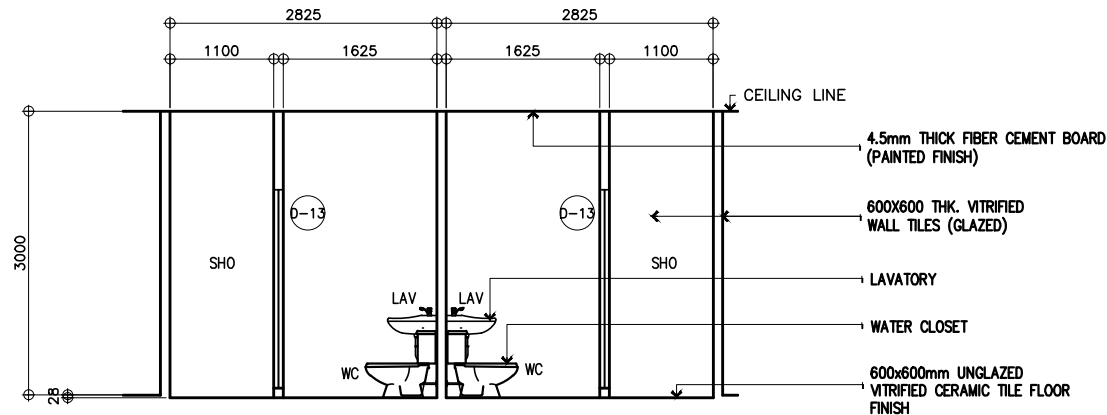
1D
SIXTH FLOOR AUDITORIUM T&B (HE & SHE)
TOILET DETAIL SECTION
SCALE 1:40M



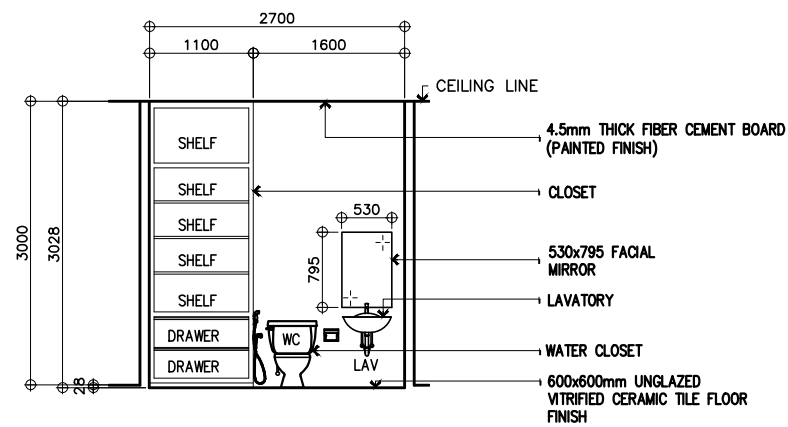
1B
SEVENTH FLOOR TOILET AND BATH (HE & SHE)
TOILET DETAIL SECTION
SCALE 1:40M



1E
SIXTH FLOOR AUDITORIUM T&B (HE & SHE)
TOILET DETAIL SECTION
SCALE 1:40M



1C
FOURTH FLOOR EXECUTIVE DIRECTOR & CHAIRPERSON T&B
TOILET DETAIL SECTION
SCALE 1:40M



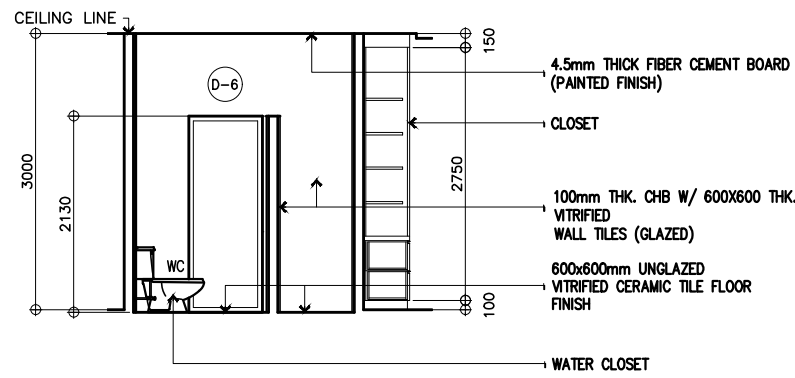
1F
FOURTH FLOOR EXECUTIVE DIRECTOR & CHAIRPERSON T&B
TOILET DETAIL SECTION
SCALE 1:40M

NOTE:
PURSUANT TO SECTION 4 OF ANNEX "A" OF THE REVISED IMPLEMENTING RULES AND REGULATION OF R.A. 9184, APPROVAL BY THE AUTHORIZED DPWH OFFICIALS OF DETAILED ENGINEERING SURVEYS AND DESIGN UNDERTAKEN BY CONSULTANTS NEITHER DIMINISHES THE RESPONSIBILITY OF THE LATTER FOR THE TECHNICAL INTEGRITY OF THE SURVEYS AND DESIGN NOR TRANSFER ANY PART OF THAT RESPONSIBILITY TO THE APPROVING OFFICIALS.

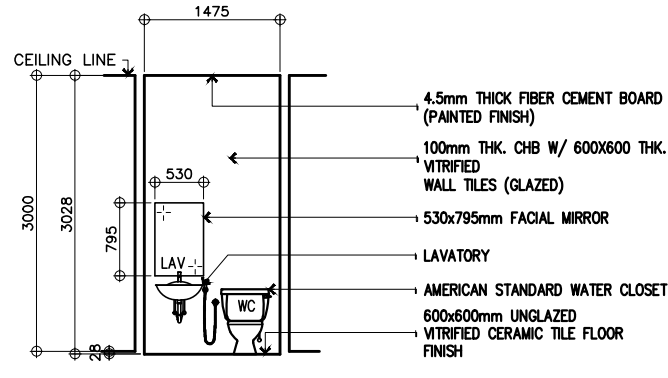
THE DESIGN CONSULTANT SHALL BE HELD FULLY RESPONSIBLE FOR THE FAILURE OF THE FACILITY/IES/STRUCTURES DUE TO FAULTY DESIGN EXCEPT FOR THE CHANGES MADE WITHOUT THE CONFORMITY OF THE CONSULTANTS.

1
A-38 TOILET SECTION DETAILS
SCALE AS SHOWN

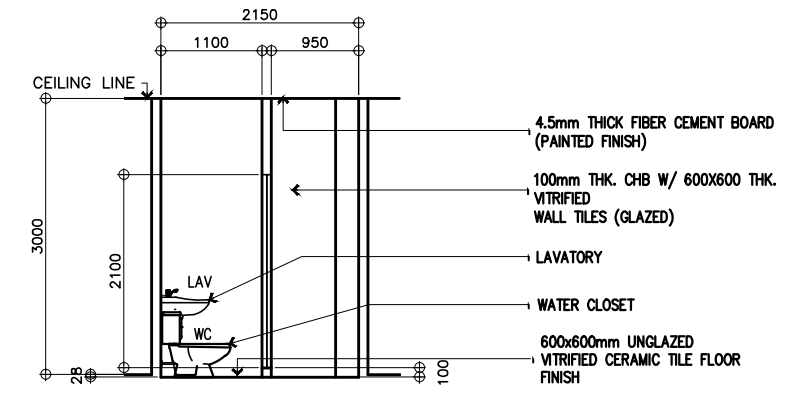
	PREPARED BY: ARMAN U. CUEVAS ARCHITECTURAL DESIGN POSITION: ARCHITECT PRC No.: 0018876 TIN No.: 907-359-364 PTR No.: 4020895	SUBMITTED BY: CYNTHIA CLEMEN A. YU ARCHITECT/TEAM LEADER		REVIEWED AS TO DESIGN CONCEPT: JOSEPHINE P. ISTURIS CHIEF, BUILDINGS DIVISION, BOD	RECOMMENDING APPROVAL: (SEE COVER SHEET) LEA N. DELFINADO, CESO IV OFFICER-IN-CHARGE	APPROVED: (SEE COVER SHEET) EMIL K. SADAIN, CESO I UNDERSECRETARY FOR UPMO OPERATIONS & TECHNICAL SERVICES	CONCURRED: (SEE COVER SHEET) ROWENA CANDICE M. RUIZ EXECUTIVE DIRECTOR	PROJECT & LOCATION / BARANGAY: PROPOSED: PROPOSED SEVEN (7) STOREY GOVERNMENT PROCUREMENT POLICY BOARD (GPPB) UP DILIMAN COMPOUND, DILIMAN, QUEZON CITY	SHEET CONTENTS: TOILET SECTION DETAILS	SET NO. BOD A-38	SHEET NO. 40 216	
	REPUBLIC OF THE PHILIPPINES DEPARTMENT OF PUBLIC WORKS AND HIGHWAYS BUREAU OF DESIGN BUILDINGS DIVISION BONIFACIO DRIVE PORT AREA, MANILA			REVIEWED AS TO DESIGN CONCEPT: JOSEPHINE P. ISTURIS CHIEF, BUILDINGS DIVISION, BOD			RECOMMENDING APPROVAL: (SEE COVER SHEET) LEA N. DELFINADO, CESO IV OFFICER-IN-CHARGE			APPROVED: (SEE COVER SHEET) EMIL K. SADAIN, CESO I UNDERSECRETARY FOR UPMO OPERATIONS & TECHNICAL SERVICES		



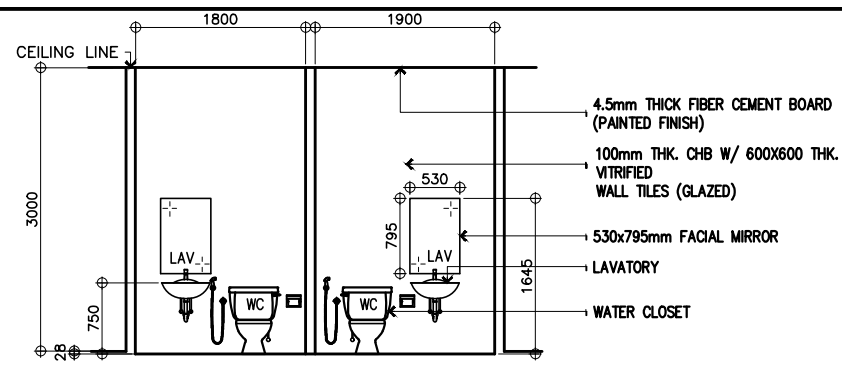
1A TOILET DETAIL SECTION
SCALE 1:40M



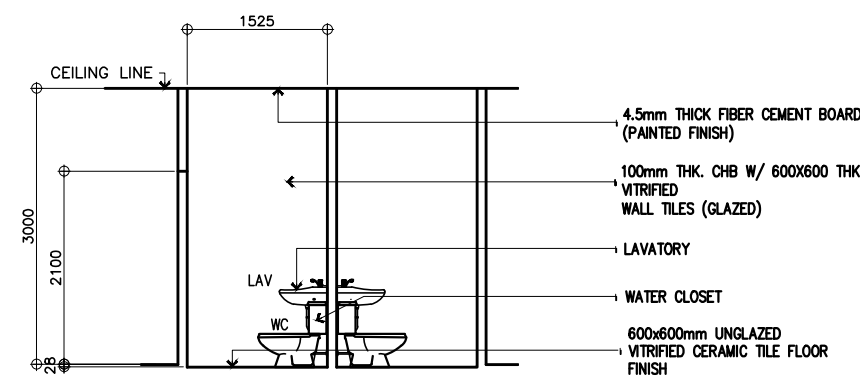
1D TOILET DETAIL SECTION
SCALE 1:40M



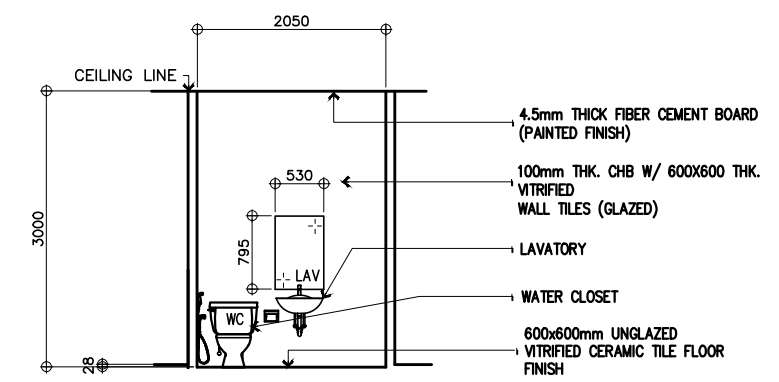
1G TOILET DETAIL SECTION
SCALE 1:40M



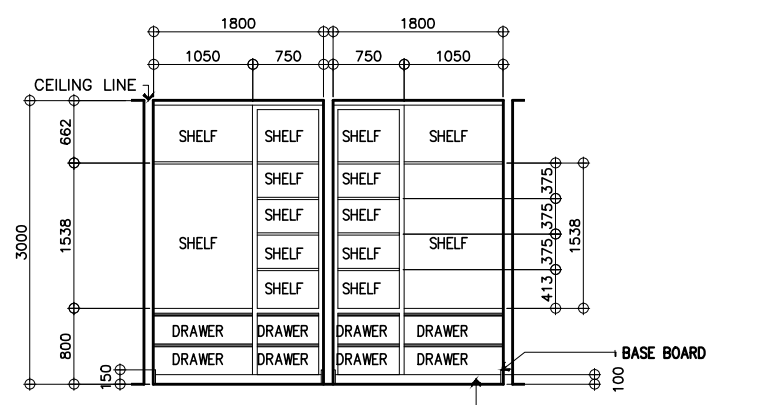
1B TOILET DETAIL SECTION
SCALE 1:40M



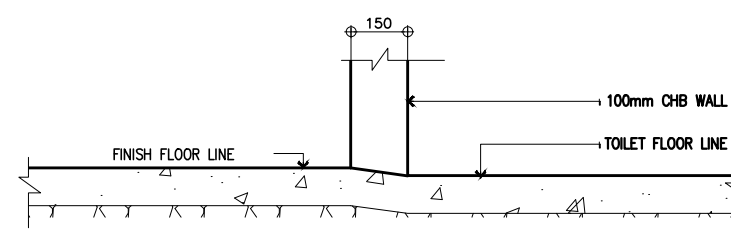
1E TOILET DETAIL SECTION
SCALE 1:40M



1H TOILET DETAIL SECTION
SCALE 1:40M

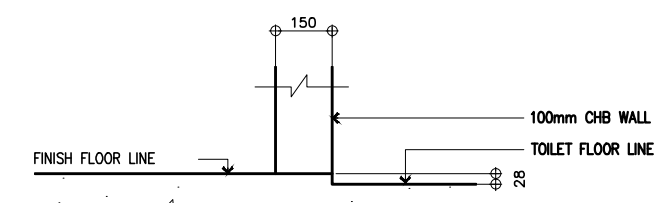


1C TOILET DETAIL SECTION
SCALE 1:40M



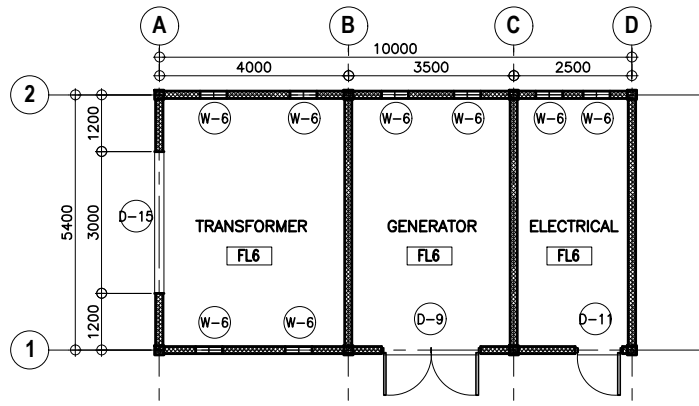
1F DETAIL SECTION FLR. DROP
SCALE 1:10M

NOTE:
PURSUANT TO SECTION 4 OF ANNEX "A" OF THE REVISED IMPLEMENTING RULES AND REGULATION OF R.A. 9194, APPROVAL BY THE AUTHORIZED DPWH OFFICIALS OF DETAILED ENGINEERING SURVEYS AND DESIGN UNDERTAKEN BY CONSULTANTS NEITHER DIMINISHES THE RESPONSIBILITY OF THE LATTER FOR THE TECHNICAL INTEGRITY OF THE SURVEYS AND DESIGN NOR TRANSFER ANY PART OF THAT RESPONSIBILITY TO THE APPROVING OFFICIALS.
THE DESIGN CONSULTANT SHALL BE HELD FULLY RESPONSIBLE FOR THE FAILURE OF THE FACILITY/IES/STRUCTURES DUE TO FAULTY DESIGN EXCEPT FOR THE CHANGES MADE WITHOUT THE CONFORMITY OF THE CONSULTANTS.

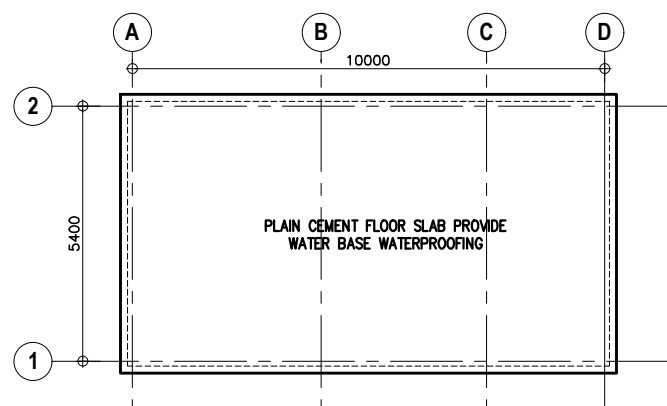


1I DETAIL SECTION FLR. DROP
SCALE 1:10M

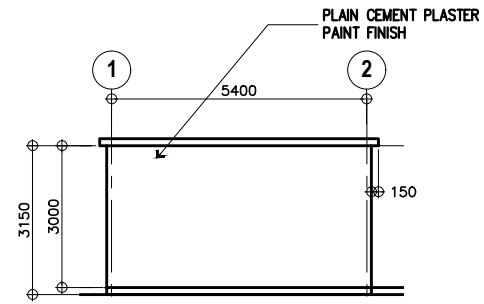
1 TOILET SECTION DETAILS
SCALE AS SHOWN



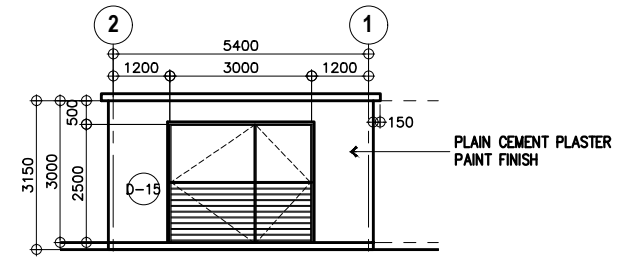
1A
POWER HOUSE
FLOOR PLAN
SCALE 1:80M



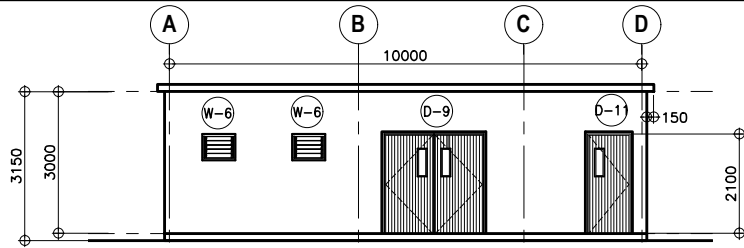
1B
POWER HOUSE
ROOF SLAB
SCALE 1:80M



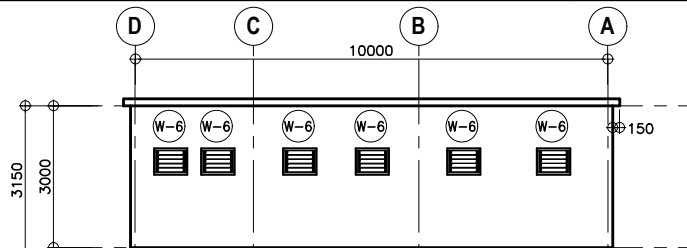
1C
POWER HOUSE
RIGHT SIDE ELEVATION
SCALE 1:80M



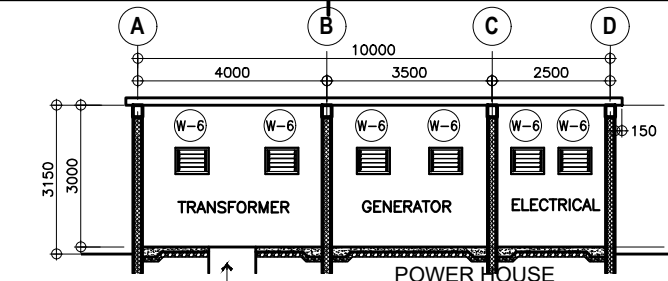
1D
POWER HOUSE
LEFT SIDE ELEVATION
SCALE 1:80M



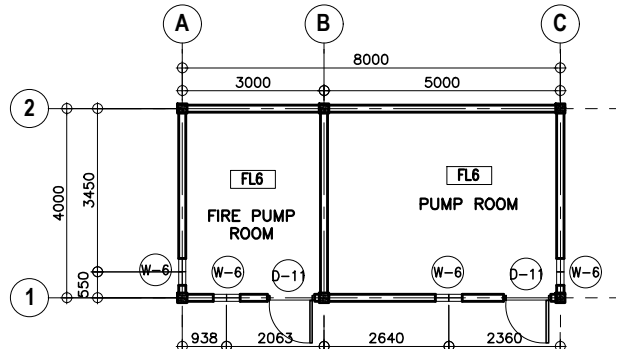
1E
POWER HOUSE
FRONT ELEVATION
SCALE 1:80M



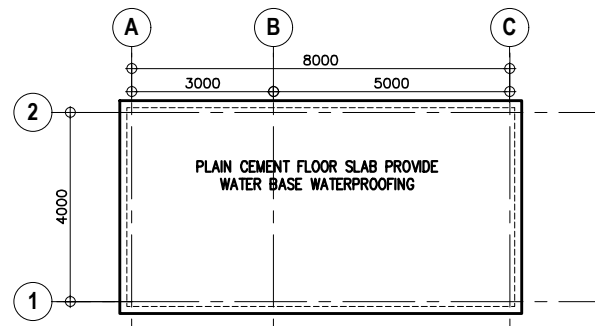
1F
POWER HOUSE
REAR ELEVATION
SCALE 1:80M



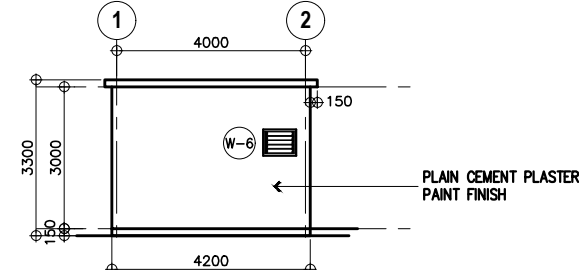
1G
POWER HOUSE
CROSS SECTION
SCALE 1:80M



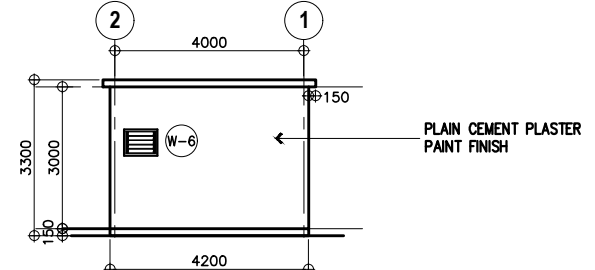
1H
PUMP ROOM
FLOOR PLAN
SCALE 1:80M



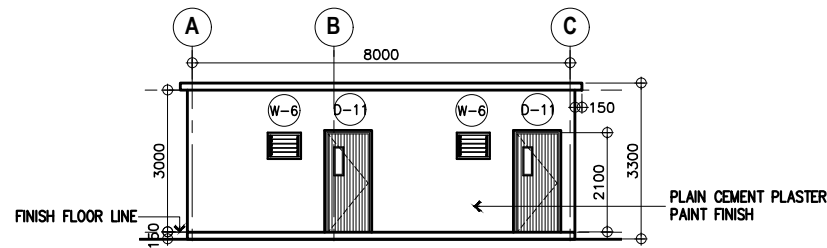
1I
PUMP ROOM
ROOF SLAB
SCALE 1:80M



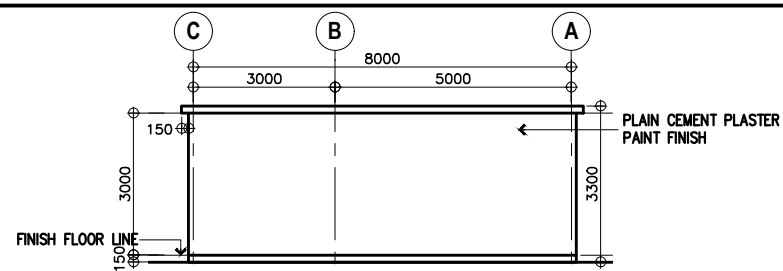
1J
PUMP ROOM
RIGHT SIDE ELEVATION
SCALE 1:80M



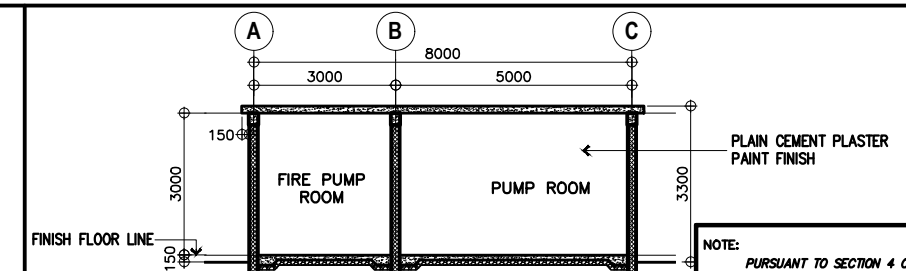
1K
PUMP ROOM
LEFT SIDE ELEVATION
SCALE 1:80M



1L
PUMP ROOM
FRONT ELEVATION
SCALE 1:80M



1M
PUMP ROOM
FRONT ELEVATION
SCALE 1:80M



1N
PUMP ROOM
CROSS SECTION
SCALE 1:80M

NOTE:
PURSUANT TO SECTION 4 OF ANNEX "A" OF THE REVISED IMPLEMENTING RULES AND REGULATION OF R.A. 9184, APPROVAL BY THE AUTHORIZED DPWH OFFICIALS OF DETAILED ENGINEERING SURVEYS AND DESIGN UNDERTAKEN BY CONSULTANTS NEITHER DIMINISHES THE RESPONSIBILITY OF THE LATTER FOR THE TECHNICAL INTEGRITY OF THE SURVEYS AND DESIGN NOR TRANSFER ANY PART OF THAT RESPONSIBILITY TO THE APPROVING OFFICIALS.

THE DESIGN CONSULTANT SHALL BE HELD FULLY RESPONSIBLE FOR THE FAILURE OF THE FACILITY/IES/STRUCTURES DUE TO FAULTY DESIGN EXCEPT FOR THE CHANGES MADE WITHOUT THE CONFORMITY OF THE CONSULTANTS.

1
POWER HOUSE & PUMP ROOM DETAILS
SCALE AS SHOWN



PREPARED BY:
ARMAN U. CUEVAS
ARCHITECTURAL DESIGN
POSITION: ARCHITECT
PRIC No.: 0018676 TIN No.: 907-359-304
PTR No.: 4020896

SUBMITTED BY:
CYNTHIA CLEMEN A. YU
ARCHITECT/TEAM LEADER



REPUBLIC OF THE PHILIPPINES
DEPARTMENT OF PUBLIC WORKS AND HIGHWAYS
BUREAU OF DESIGN
BUILDINGS DIVISION
BONIFACIO DRIVE PORT AREA, MANILA

REVIEWED AS TO DESIGN CONCEPT:
JOSEPHINE P. ISTURIS
CHIEF, BUILDINGS DIVISION, BOD

RECOMMENDING APPROVAL:
LEA N. DELFINADO, CESO IV
OFFICER-IN-CHARGE

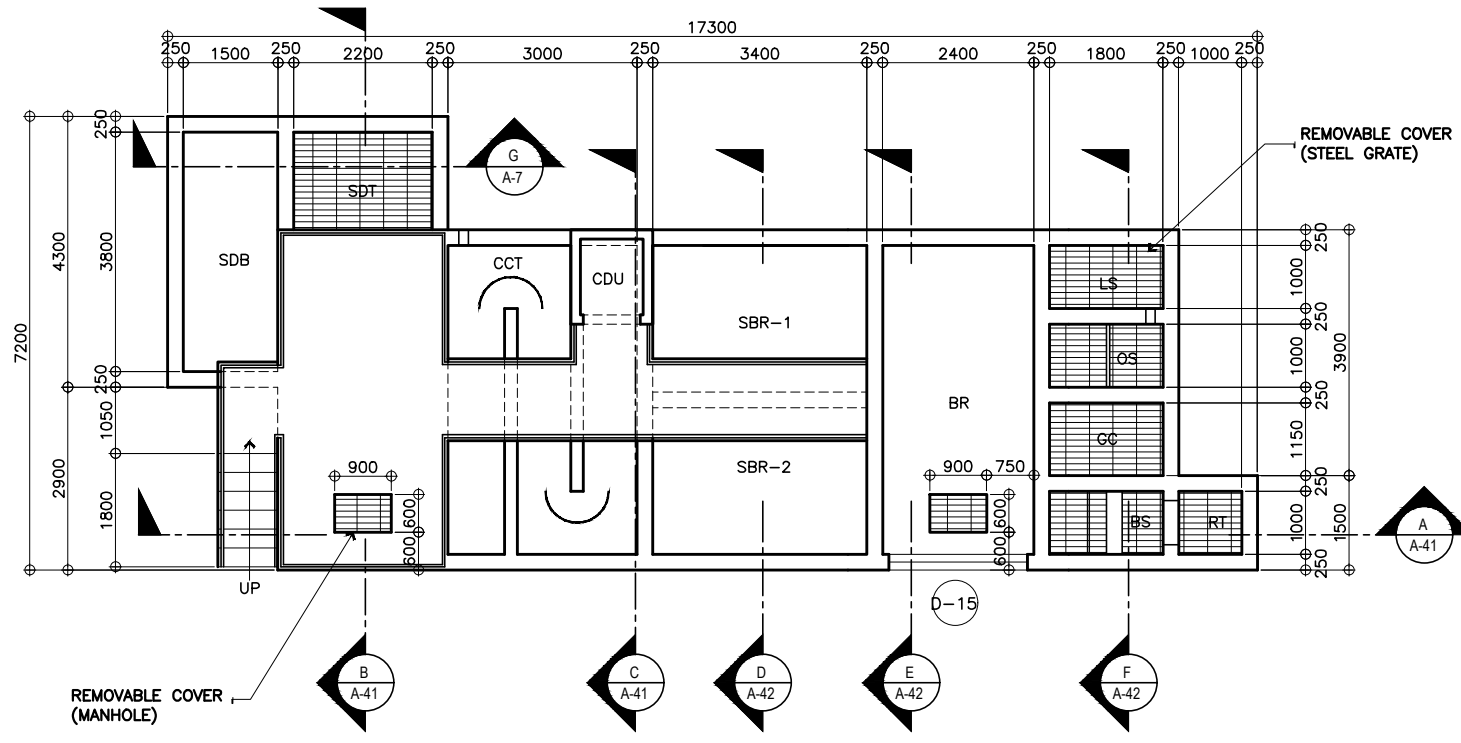
APPROVED:
EMIL K. SADAIN, CESO I
UNDERSECRETARY FOR UPMO OPERATIONS & TECHNICAL SERVICES

CONCURRED:
ROWENA CANDICE M. RUIZ
EXECUTIVE DIRECTOR

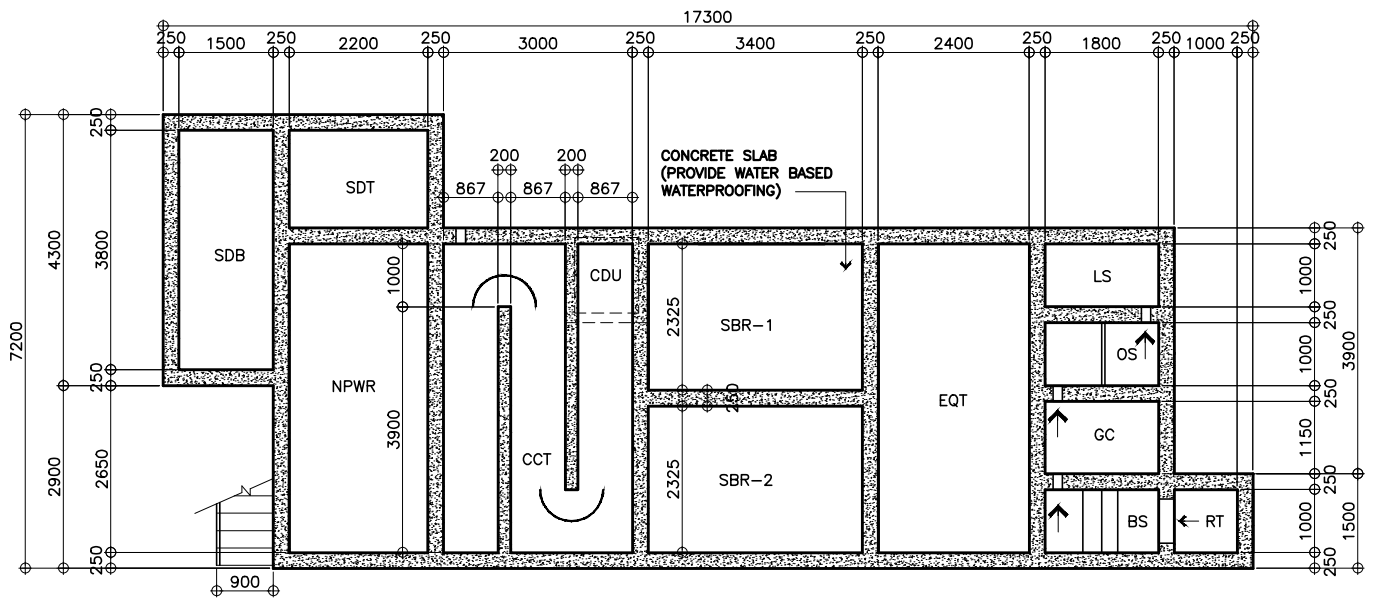
PROJECT & LOCATION / BARANGAY:
PROPOSED:
PROPOSED SEVEN (7) STOREY GOVERNMENT PROCUREMENT POLICY BOARD (GPPB)
UP DILIMAN COMPOUND, DILIMAN, QUEZON CITY

SHEET CONTENTS:
POWER HOUSE & PUMP ROOM DETAILS

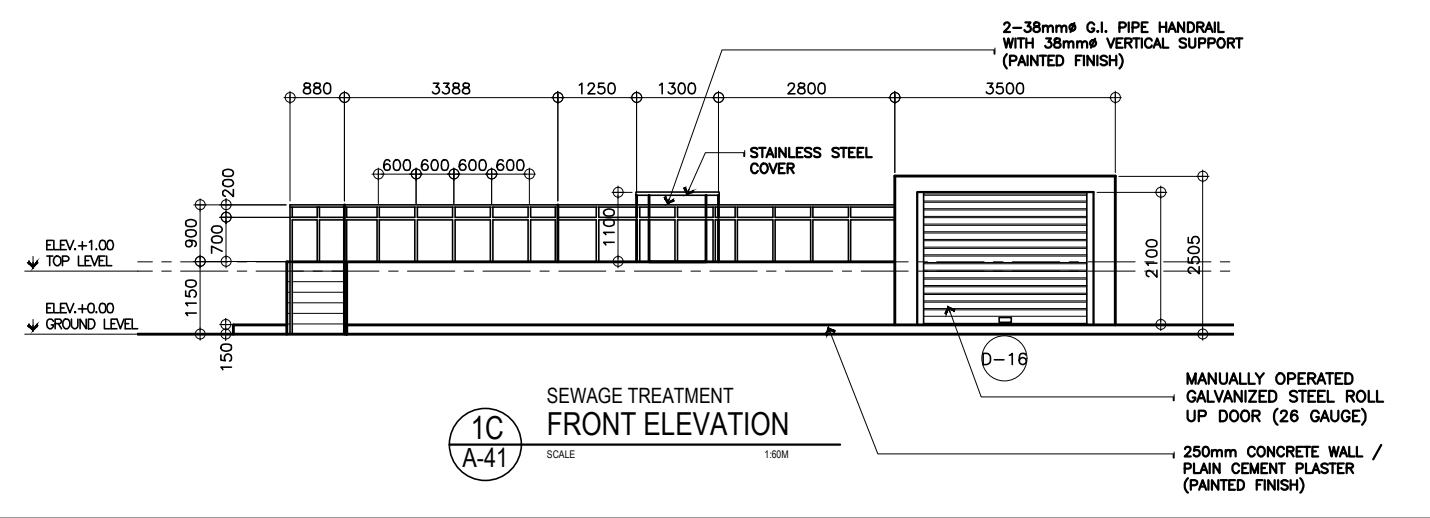
SET NO. **BOD A-40**
SHEET NO. **42**
216



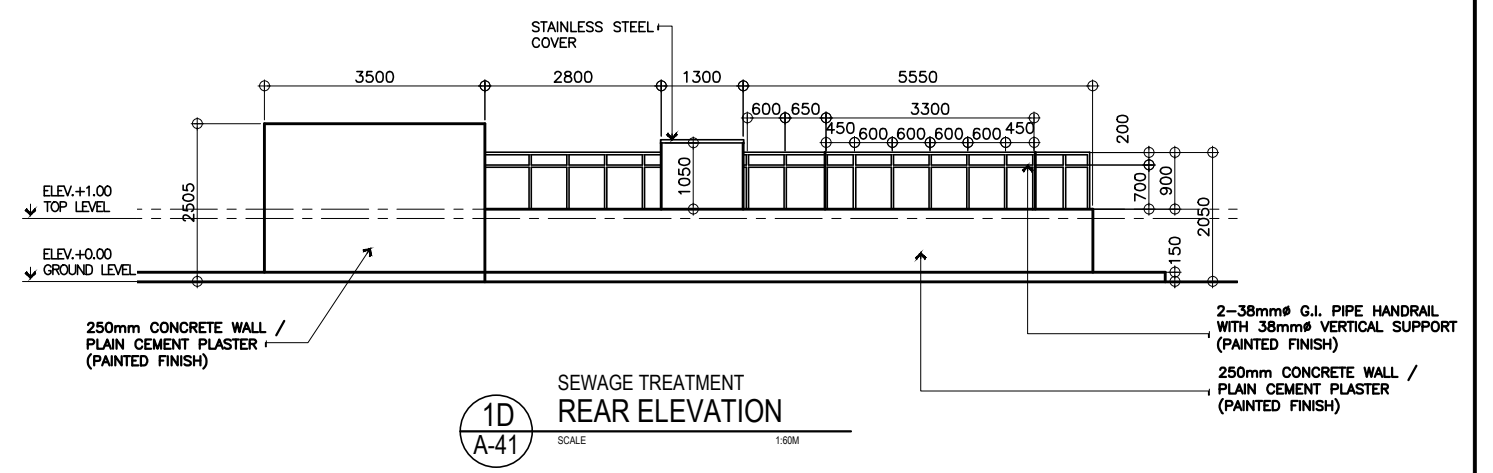
1A
A-41
SCALE 1:60M



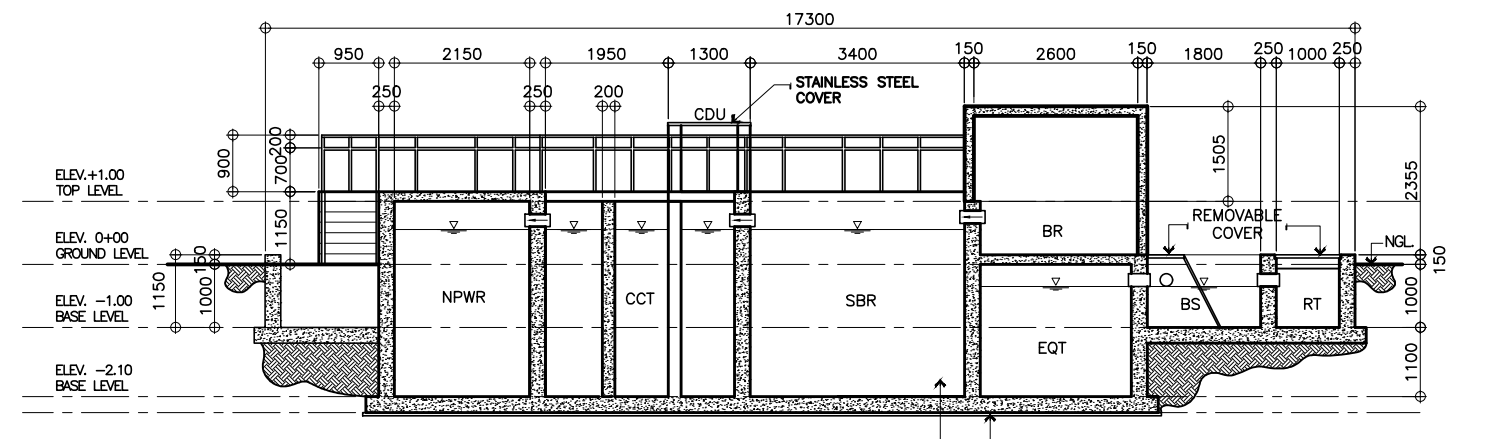
1B
A-41
SCALE 1:60M



1C
A-41
SCALE 1:60M



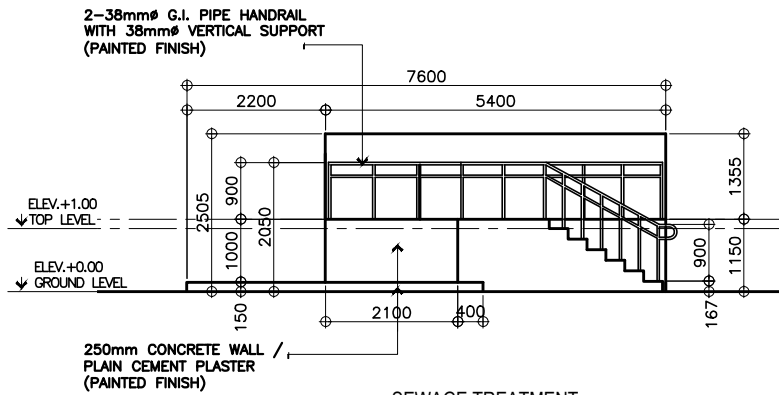
1D
A-41
SCALE 1:60M



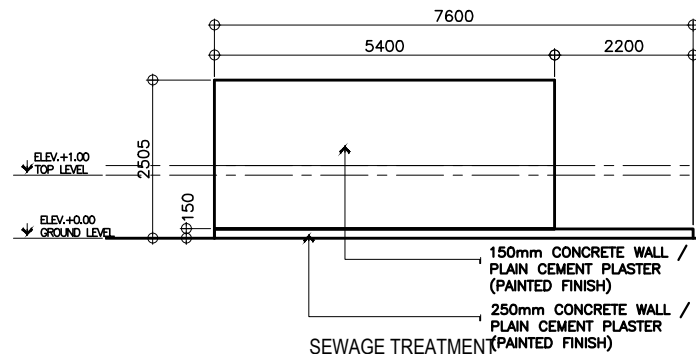
1C
A-41
SCALE 1:60M

1 SEWAGE TREATMENT PLANT DETAILS
A-41 SCALE AS SHOWN

<p>UNITED TECHNOLOGIES CONSOLIDATED PARTNERSHIP</p>	<p>PREPARED BY: ARMAN U. CUEVAS ARCHITECTURAL DESIGN POSITION: ARCHITECT PRC No.: 0018676 TIN No.: 907-359-364 PTR No.: 4022896</p>	<p>SUBMITTED BY: CYNTHIA CLEMEN A. YU ARCHITECT/TEAM LEADER</p>	<p>REPUBLIC OF THE PHILIPPINES DEPARTMENT OF PUBLIC WORKS AND HIGHWAYS BUREAU OF DESIGN BUILDINGS DIVISION BONIFACIO DRIVE PORT AREA, MANILA</p>	<p>REVIEWED AS TO DESIGN CONCEPT: JOSEPHINE P. ISTURIS CHIEF BUILDINGS DIVISION, BOD</p>	<p>RECOMMENDING APPROVAL: (SEE COVER SHEET) LEA N. DELFINADO, CESO IV OFFICER-IN-CHARGE</p>	<p>APPROVED: (SEE COVER SHEET) EMIL K. SADAIN, CESO I UNDERSECRETARY FOR UPWMO OPERATIONS & TECHNICAL SERVICES</p>	<p>CONCURRED: (SEE COVER SHEET) ROWENA CANDICE M. RUIZ EXECUTIVE DIRECTOR</p>	<p>PROJECT & LOCATION / BARANGAY: PROPOSED: PROPOSED SEVEN (7) STOREY GOVERNMENT PROCUREMENT POLICY BOARD (GPPB) UP DILIMAN COMPOUND, DILIMAN, QUEZON CITY</p>	<p>SHEET CONTENTS: SEWAGE TREATMENT PLANT DETAILS</p>	<p>SET NO. BOD A-41</p>	<p>SHEET NO. 43 216</p>
	<p>SEWAGE TREATMENT PLANT DETAILS</p>										



1A
SEWAGE TREATMENT
RIGHT SIDE ELEVATION
SCALE 1:60M



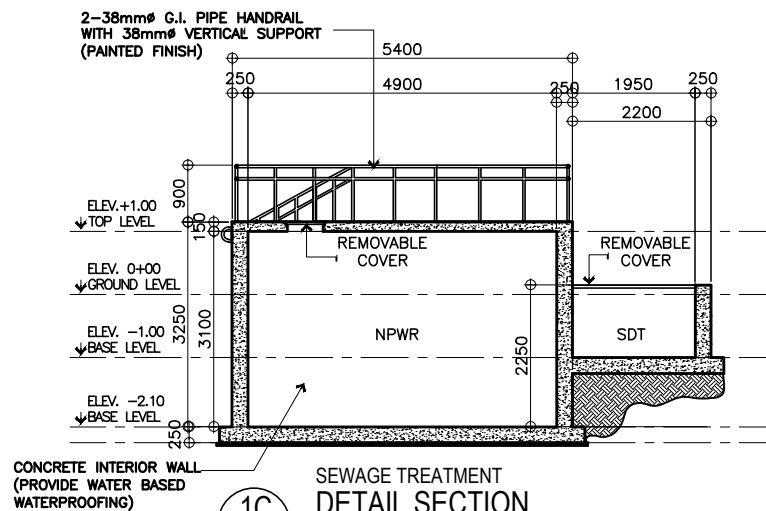
1B
SEWAGE TREATMENT
LEFT SIDE ELEVATION
SCALE 1:60M

LEGEND:

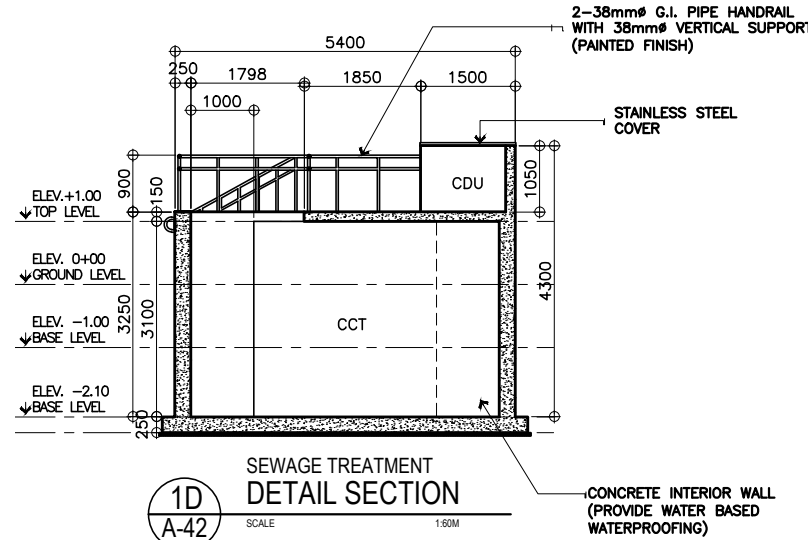
- RT - RECEIVING TANK FOR SEPTAGE
- BS - BAR SCREEN
- GC - GRIT CHAMBER
- OS - OIL SEPARATOR
- EQT - EQUALIZATION TANK
- BR - BLOWER ROOM
- SBR - SEQUENCING BATCH REACTOR
- CDU - CHLORINE DOSING UNIT
- CCT - CHLORINE CONTACT TANK
- NPWR - NON-POTABLE WATER RESERVOIR
- SDT - SLUDGE DIGESTER TANK
- SDB - SLUDGE DRYING BED
- LS - LIFTING STATION

NOTE:
PURSUANT TO SECTION 4 OF ANNEX "A" OF THE REVISED IMPLEMENTING RULES AND REGULATION OF R.A. 9184, APPROVAL BY THE AUTHORIZED DPWH OFFICIALS OF DETAILED ENGINEERING SURVEYS AND DESIGN UNDERTAKEN BY CONSULTANTS NEITHER DIMINISHES THE RESPONSIBILITY OF THE LATTER FOR THE TECHNICAL INTEGRITY OF THE SURVEYS AND DESIGN NOR TRANSFER ANY PART OF THAT RESPONSIBILITY TO THE APPROVING OFFICIALS.

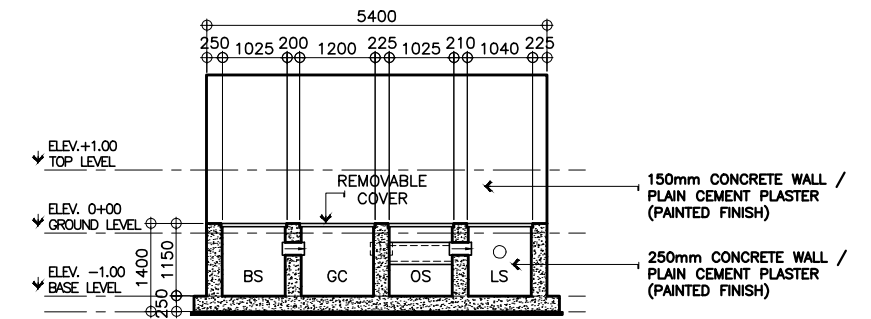
THE DESIGN CONSULTANT SHALL BE HELD FULLY RESPONSIBLE FOR THE FAILURE OF THE FACILITY/ES/STRUCTURES DUE TO FAULTY DESIGN EXCEPT FOR THE CHANGES MADE WITHOUT THE CONFORMITY OF THE CONSULTANTS.



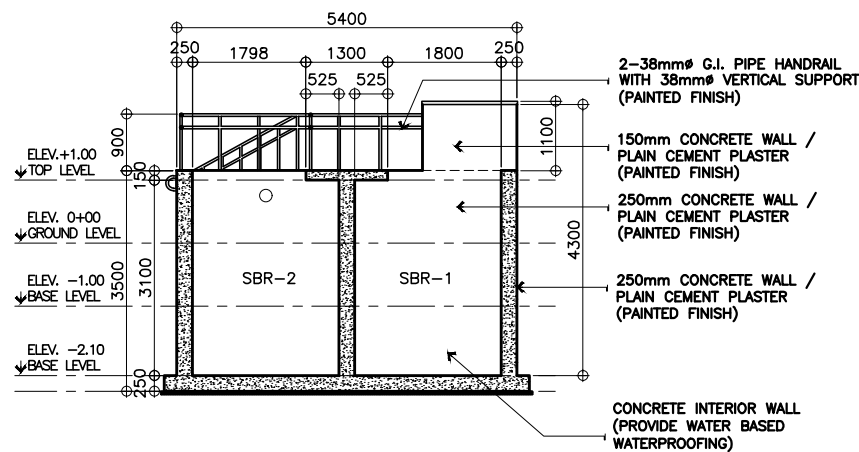
1C
SEWAGE TREATMENT
DETAIL SECTION
SCALE 1:60M



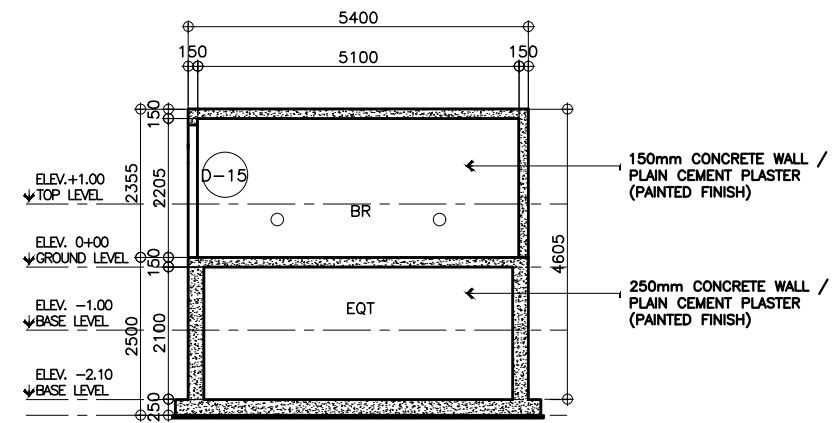
1D
SEWAGE TREATMENT
DETAIL SECTION
SCALE 1:60M



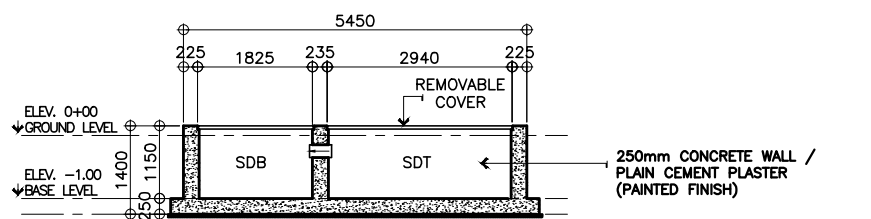
1G
SEWAGE TREATMENT
DETAIL SECTION
SCALE 1:60M



1E
SEWAGE TREATMENT
DETAIL SECTION
SCALE 1:60M



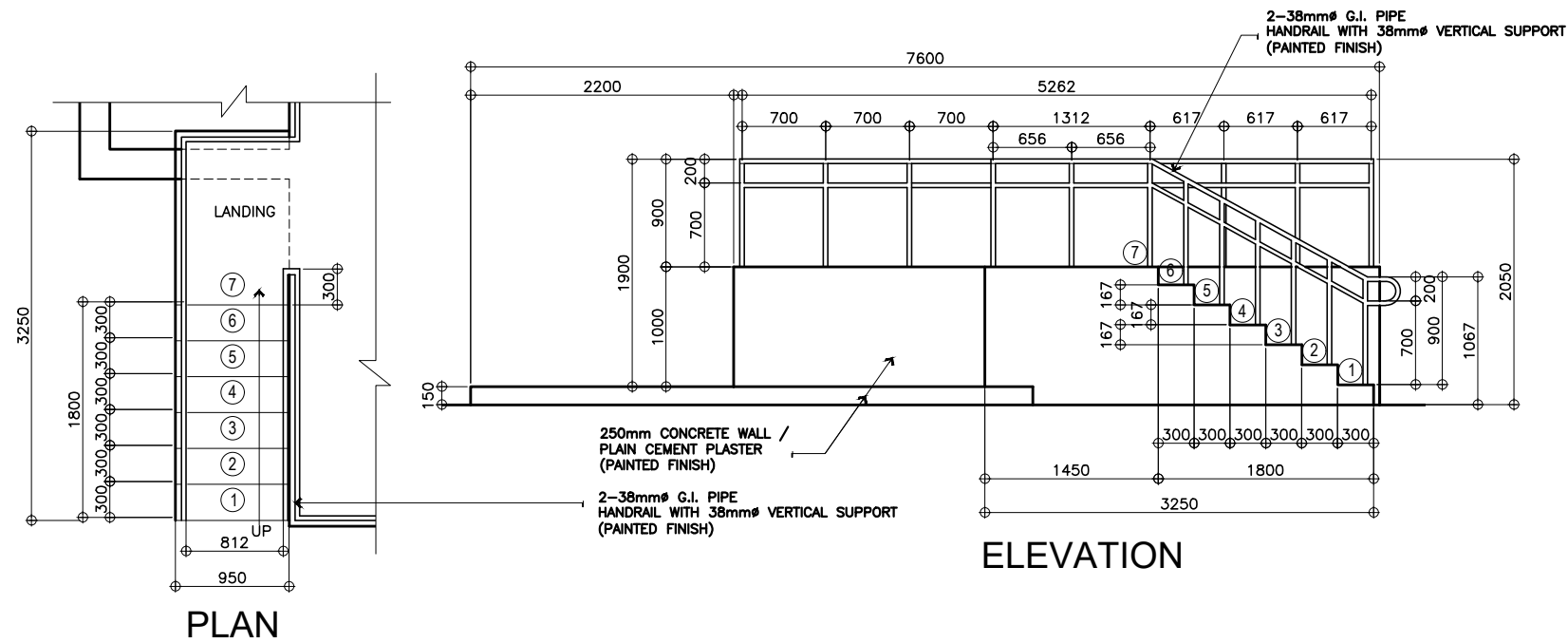
1F
SEWAGE TREATMENT
DETAIL SECTION
SCALE 1:60M



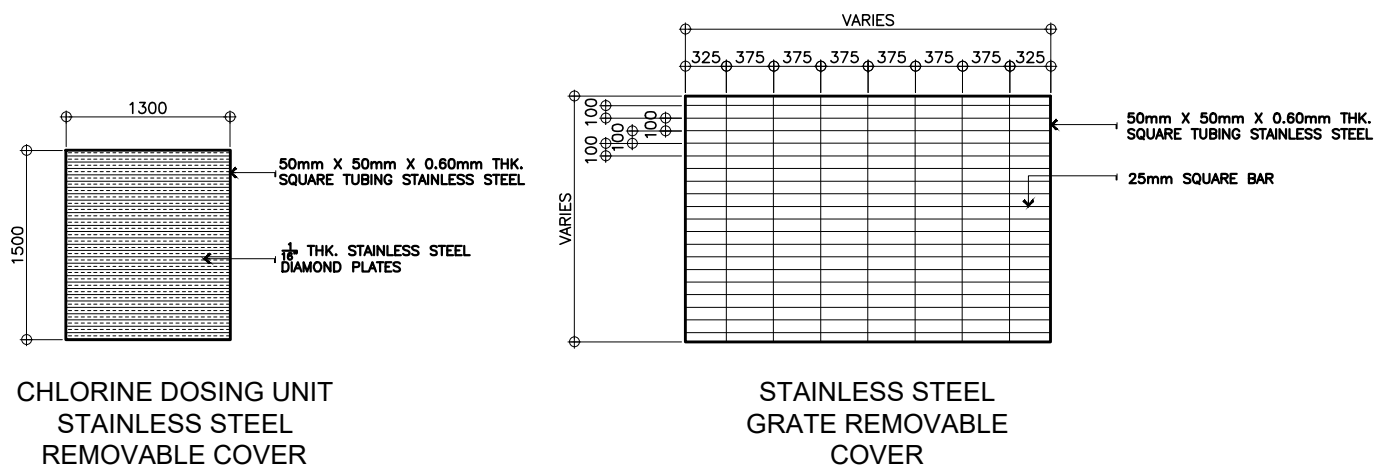
1H
SEWAGE TREATMENT
DETAIL SECTION
SCALE 1:60M

1
SEWAGE TREATMENT PLANT DETAILS
SCALE AS SHOWN

	PREPARED BY:	SUBMITTED BY:		REVIEWED AS TO DESIGN CONCEPT:	RECOMMENDING APPROVAL:	APPROVED:	CONCURRED:	PROJECT & LOCATION / BARANGAY:	SHEET CONTENTS:	SET NO.	SHEET NO.
	ARMAN U. CUEVAS ARCHITECTURAL DESIGN POSITION: ARCHITECT PRC No.: 0018676 TIN No.: 907-359-364 PTR No.: 4020896	CYNTHIA CLEMEN A. YU ARCHITECT/TEAM LEADER		REPUBLIC OF THE PHILIPPINES DEPARTMENT OF PUBLIC WORKS AND HIGHWAYS BUREAU OF DESIGN BUILDINGS DIVISION BONIFACIO DRIVE PORT AREA, MANILA	JOSEPHINE P. ISTURIS CHIEF BUILDINGS DIVISION, BOD	LEA N. DELFINADO, CESO IV OFFICER-IN-CHARGE	EMIL K. SADAIN, CESO I UNDERSECRETARY FOR UPMO OPERATIONS & TECHNICAL SERVICES	ROWENA CANDICE M. RUIZ EXECUTIVE DIRECTOR	PROPOSED: PROPOSED SEVEN (7) STOREY GOVERNMENT PROCUREMENT POLICY BOARD (GPPB) UP DILIMAN COMPOUND, DILIMAN, QUEZON CITY	SEWAGE TREATMENT PLANT DETAILS	BOD A-42



1
A-43
SCALE 1:30M
SEWAGE TREATMENT
DETAIL OF STAIR

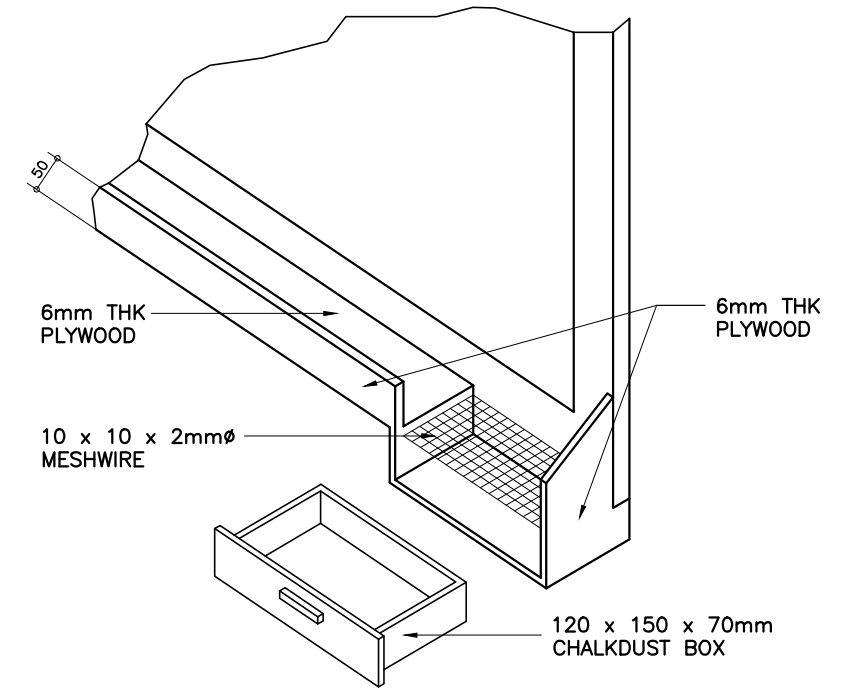
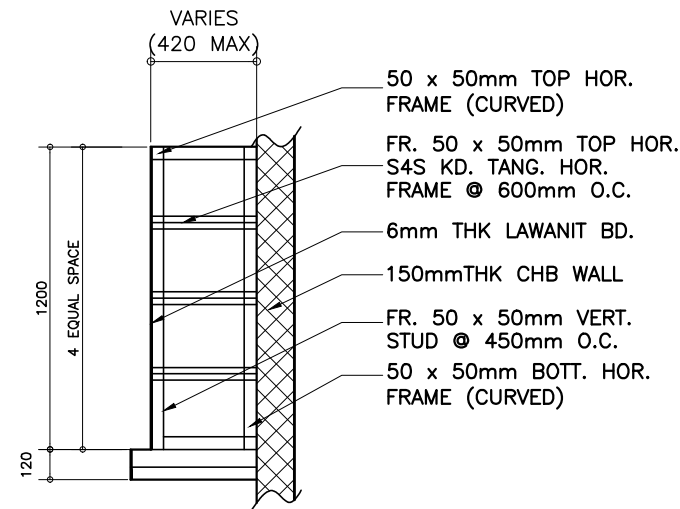
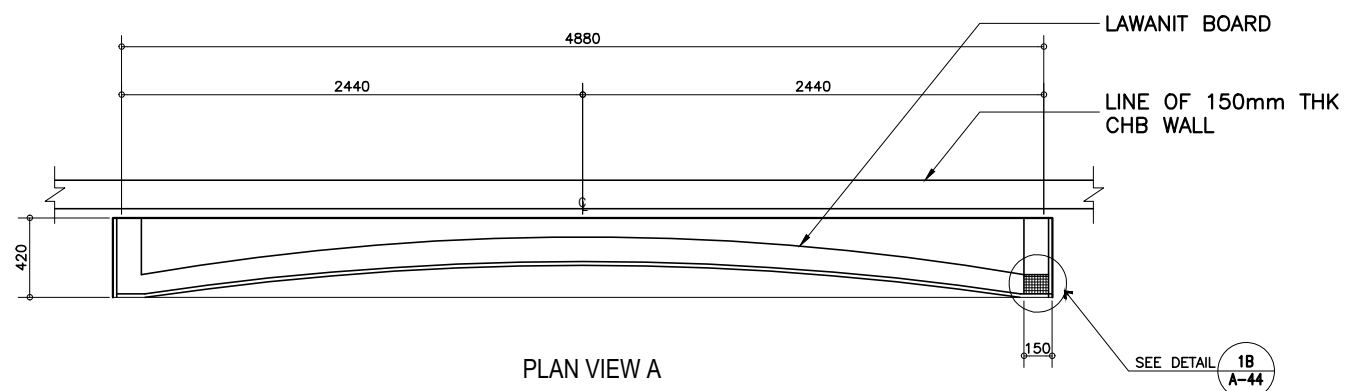
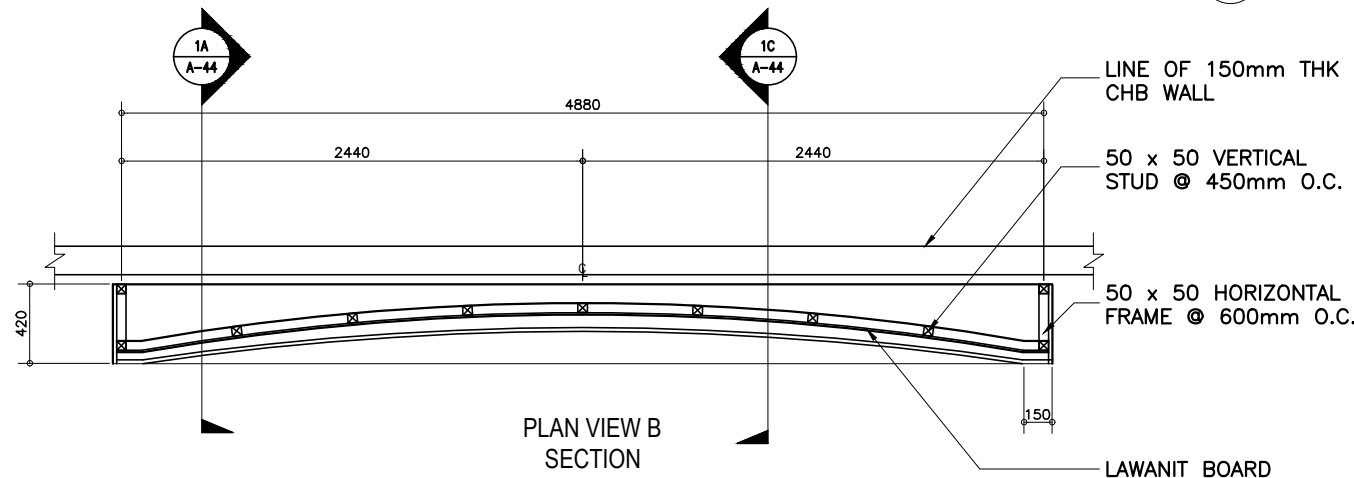
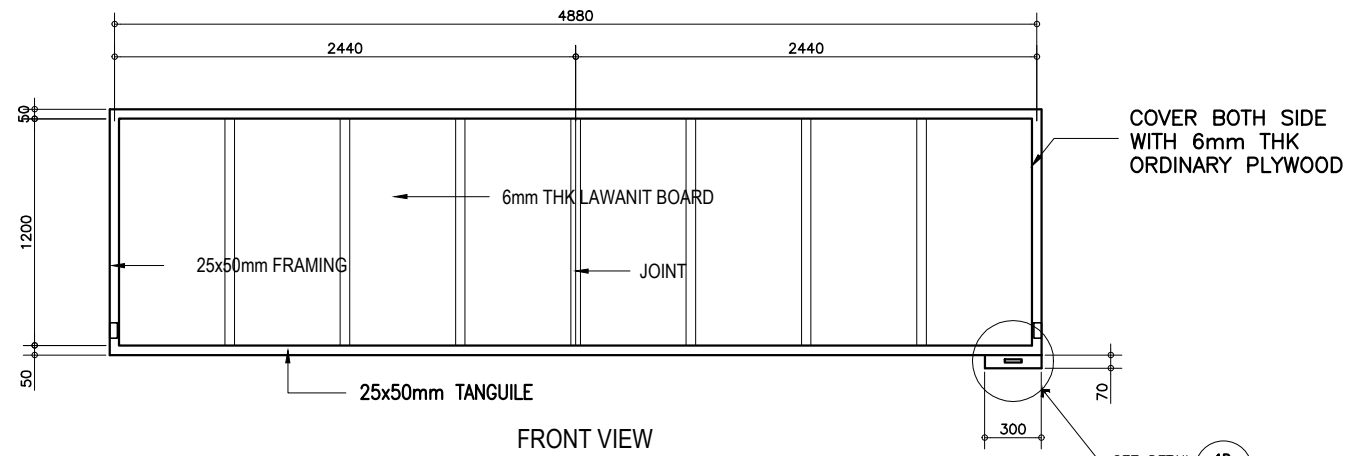


2
A-43
SCALE 1:30M
SEWAGE TREATMENT
REMOVABLE COVER

NOTE:
PURSUANT TO SECTION 4 OF ANNEX "A" OF THE REVISED IMPLEMENTING RULES AND REGULATION OF R.A. 9184, APPROVAL BY THE AUTHORIZED DPWH OFFICIALS OF DETAILED ENGINEERING SURVEYS AND DESIGN UNDERTAKEN BY CONSULTANTS NEITHER DIMINISHES THE RESPONSIBILITY OF THE LATTER FOR THE TECHNICAL INTEGRITY OF THE SURVEYS AND DESIGN NOR TRANSFER ANY PART OF THAT RESPONSIBILITY TO THE APPROVING OFFICIALS.

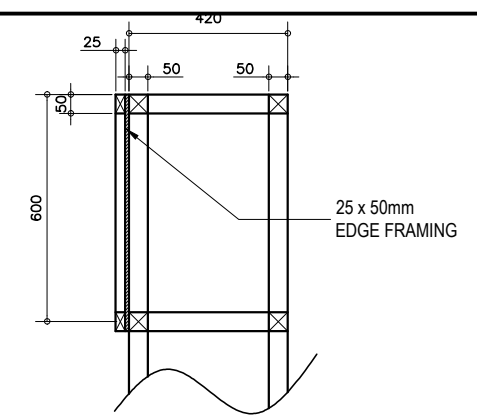
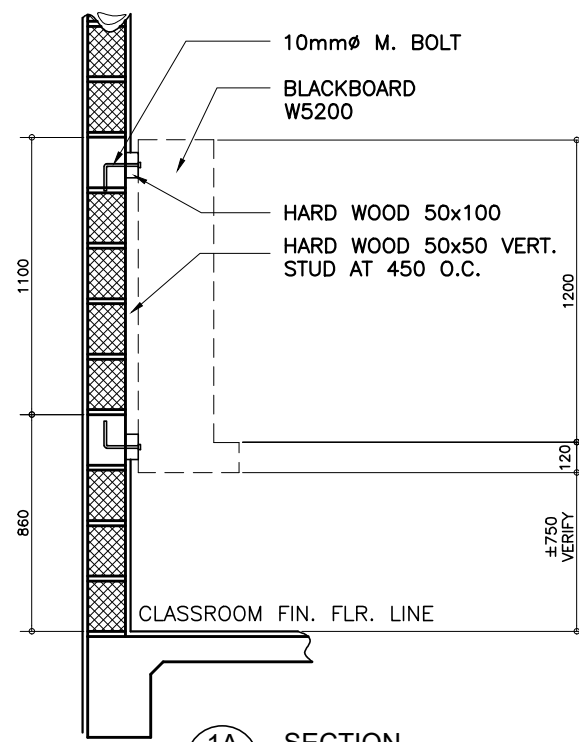
THE DESIGN CONSULTANT SHALL BE HELD FULLY RESPONSIBLE FOR THE FAILURE OF THE FACILITY/IES/STRUCTURES DUE TO FAULTY DESIGN EXCEPT FOR THE CHANGES MADE WITHOUT THE CONFORMITY OF THE CONSULTANTS.

	PREPARED BY:	SUBMITTED BY:		REVIEWED AS TO DESIGN CONCEPT:	RECOMMENDING APPROVAL:	APPROVED:	CONCURRED:	PROJECT & LOCATION / BARANGAY:	SHEET CONTENTS:	SET NO.	SHEET NO.
	ARMAN U. CUEVAS <small>ARCHITECTURAL DESIGN POSITION: ARCHITECT PRC No.: 0018676 TIN No.: 907-359-364 PTR No.: 4020896</small>	CYNTHIA CLEMEN A. YU <small>ARCHITECT/TEAM LEADER</small>		REPUBLIC OF THE PHILIPPINES DEPARTMENT OF PUBLIC WORKS AND HIGHWAYS BUREAU OF DESIGN BUILDINGS DIVISION <small>BONIFACIO DRIVE PORT AREA, MANILA</small>	JOSEPHINE P. ISTURIS <small>CHIEF BUILDINGS DIVISION, BOD</small>	(SEE COVER SHEET) LEA N. DELFINADO, CESO IV <small>OFFICER-IN-CHARGE</small>	(SEE COVER SHEET) EMIL K. SADAIN, CESO I <small>UNDERSECRETARY FOR UPMO OPERATIONS & TECHNICAL SERVICES</small>	(SEE COVER SHEET) ROWENA CANDICE M. RUIZ <small>EXECUTIVE DIRECTOR</small>	PROPOSED: PROPOSED SEVEN (7) STOREY GOVERNMENT PROCUREMENT POLICY BOARD (GPPB) <small>UP DILIMAN COMPOUND, DILIMAN, QUEZON CITY</small>	SEWAGE TREATMENT DETAIL OF STAIR AND REMOVABLE COVER	BOD A-43



1C SECTION
SCALE 1:15M

1D CHALK DUST BOX DETAIL
SCALE 1:15M



1A SECTION
SCALE 1:15M

1B EDGE FRAMING SECTION
SCALE 1:10M

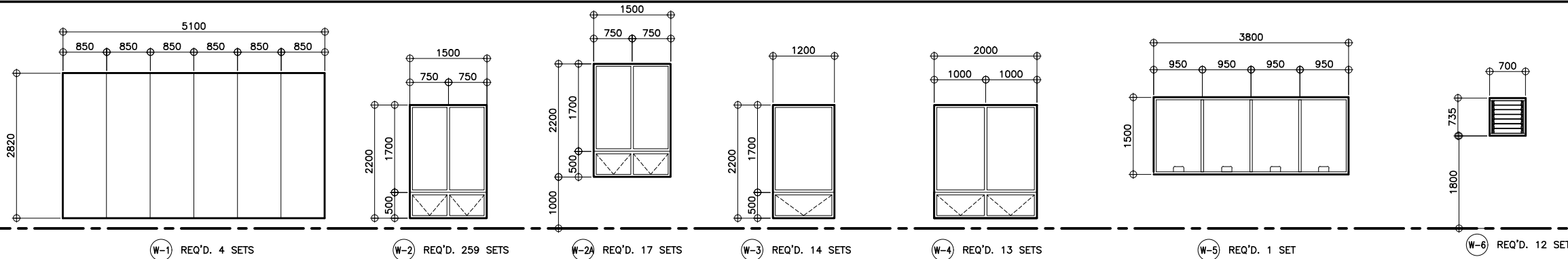
SPECIFICATION:

- 25 x 300mm SOLID TANGUILE OR EQUIVALENT WOOD FRAMES
- 6mm THK. PLYWOOD

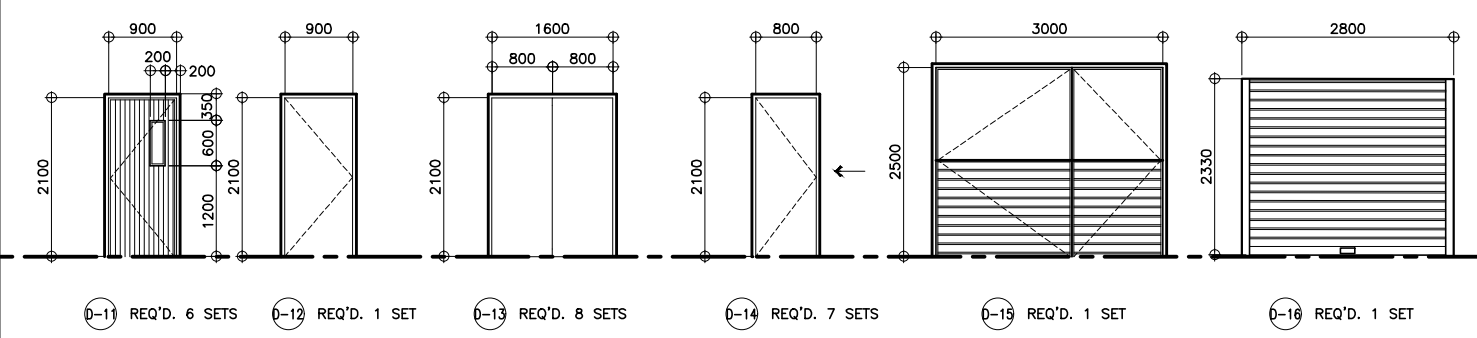
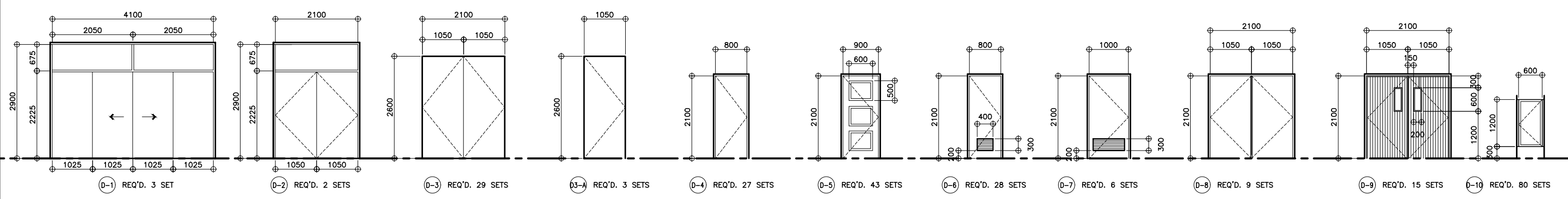
- PROVIDE: -70 x 120 x 150mm CHALKDUST BOX
 -2ø x 10 x 10mm MESHWIRE
 FINISH: -FRAMING AND CHALKBOX PAINT WITH QUICK DRYING ENAMEL PAINT (BROWN)
 -BOARD PAINT WITH BLACKBOARD PAINT (GREEN) OR BLACKBOARD SLATE

1 BLACKBOARD DETAIL
SCALE 1:20M

2 CONNECTION DETAIL SECTION
SCALE 1:15M



NOTE:
 PURSUANT TO SECTION 4 OF ANNEX "A" OF THE REVISED IMPLEMENTING RULES AND REGULATION OF R.A. 9184, APPROVAL BY THE AUTHORIZED DPWH OFFICIALS OF DETAILED ENGINEERING SURVEYS AND DESIGN UNDERTAKEN BY CONSULTANTS NEITHER DIMINISHES THE RESPONSIBILITY OF THE LATTER FOR THE TECHNICAL INTEGRITY OF THE SURVEYS AND DESIGN NOR TRANSFER ANY PART OF THAT RESPONSIBILITY TO THE APPROVING OFFICIALS.
 THE DESIGN CONSULTANT SHALL BE HELD FULLY RESPONSIBLE FOR THE FAILURE OF THE FACILITY/IES/STRUCTURES DUE TO FAULTY DESIGN EXCEPT FOR THE CHANGES MADE WITHOUT THE CONFORMITY OF THE CONSULTANTS.



SCHEDULE OF FINISHES

DOOR No.	PANEL MATERIAL	FRAME	FINISH	TYPE	No. OF PANEL	DOOR SIZE	
						W	H
D-1	12mm THK. TEMPERED GLASS DOOR W/ HARDWARE AND ACCESSORIES	ALUMINUM	CLEAR	AUTOMATED SLIDING	2	4100	2900
D-2	12mm THK. TEMPERED GLASS DOOR W/ HARDWARE AND ACCESSORIES	ALUMINUM	CLEAR	SWING	2	2100	2600
D-3	12mm THK. TEMPERED GLASS DOOR W/ HARDWARE AND ACCESSORIES	FRAMELESS	POWDER COATED	SWING	2	2100	2600
D3-A	12mm THK. TEMPERED GLASS DOOR W/ HARDWARE AND ACCESSORIES	FRAMELESS	POWDER COATED	SWING	1	2100	2600
D-4	SOLID WOOD PANEL DOOR W/ HARDWARE AND ACCESSORIES	MAHOGANY	SEMI-GLOSS WOOD VARNISH	SWING	1	800	2100
D-5	SOLID WOOD PANEL DOOR W/ HARDWARE AND ACCESSORIES	MAHOGANY	SEMI-GLOSS WOOD VARNISH	SWING	1	900	2100
D-6	SOLID WOOD PANEL DOOR W/ HARDWARE AND ACCESSORIES	MAHOGANY	SEMI-GLOSS WOOD VARNISH	SWING	1	800	2100
D-7	SOLID WOOD PANEL DOOR W/ HARDWARE AND ACCESSORIES	MAHOGANY	SEMI-GLOSS WOOD VARNISH	SWING	1	900	2100
D-8	SOLID WOOD PANEL DOOR W/ HARDWARE AND ACCESSORIES	MAHOGANY	SEMI-GLOSS WOOD VARNISH	SWING	2	2100	2100
D-9	FIRE-RATED STEEL DOOR WITH GLASS VIEWING PANEL	METAL	PAINT	SWING	2	2100	2600
D-10	PHENOLIC DOOR w/ HARDWARE ACCESSORIES AND DOOR BOLT	MAHOGANY	SEMI-GLOSS WOOD VARNISH	SWING	1	600	1200
D-11	FIRE-RATED STEEL DOOR	METAL	PAINT	SWING	1	900	2100
D-12	STEEL DOOR W/ HARDWARE AND ACCESSORIES	METAL	PAINT	SWING	1	800	2100
D-13	GLASS DOOR W/ HARDWARE AND ACCESSORIES	ALUMINUM	POWDER COATED	SLIDING	2	800	1650
D-14	STEEL DOOR W/ HARDWARE AND ACCESSORIES	ALUMINUM	PAINT	SWING	1	600	2100
D-15	3.2 MM THICK STEEL DOOR	METAL	PAINT	SWING	2	3000	2500
D-16	MANUALLY OPERATED GALVANIZED STEEL (GAUGE 26)	METAL	PAINT	ROLL UP	1	2800	2330

SCHEDULE OF FINISHES

WINDOW No.	PANEL MATERIAL	FRAME	FINISH	TYPE	No. OF PANEL/BLADES	WINDOW SIZE	
						W	H
						W-1	10mm THK. TEMPERED GLASS
W-2	10mm THK. TEMPERED GLASS	ALUMINUM	CLEAR	FIXED/AWNING	2	1500	2200
W-2A	10mm THK. TEMPERED GLASS	ALUMINUM	CLEAR	FIXED/AWNING	2	1500	2200
W-3	10mm THK. TEMPERED GLASS	ALUMINUM	CLEAR	FIXED/AWNING	1	1200	2200
W-4	10mm THK. TEMPERED GLASS	ALUMINUM	CLEAR	FIXED/AWNING	4	2000	1600
W-5	10mm THK. TEMPERED GLASS	ALUMINUM	CLEAR	FIXED	4	2000	1600
W-6	GALVANIZED BLADES (GAUGE 26)	ALUMINUM	PAINTED	JALOUSIE	7	700	735

1 SCHEDULE OF DOORS AND WINDOWS

SCALE 1:50M

UNITED TECHNOLOGIES CONSOLIDATED PARTNERSHIP	PREPARED BY: ARMAN U. CUEVAS <small>POSITION: ARCHITECT PRC No.: 0018676 TIN No.: 907-359-364 PTR No.: 4022896</small>	SUBMITTED BY: CYNTHIA CLEMEN A. YU <small>ARCHITECT/TEAM LEADER</small>	BUREAU OF DESIGN BUILDINGS DIVISION <small>REPUBLIC OF THE PHILIPPINES DEPARTMENT OF PUBLIC WORKS AND HIGHWAYS BONIFACIO DRIVE PORT AREA, MANILA</small>	REVIEWED AS TO DESIGN CONCEPT: JOSEPHINE P. ISTURIS <small>CHIEF BUILDINGS DIVISION, BOD</small>	RECOMMENDING APPROVAL: <small>(SEE COVER SHEET)</small> LEA N. DELFINADO, CESO IV <small>OFFICER-IN-CHARGE</small>	APPROVED: <small>(SEE COVER SHEET)</small> EMIL K. SADAIN, CESO I <small>UNDERSECRETARY FOR UPMO OPERATIONS & TECHNICAL SERVICES</small>	CONCURRED: <small>(SEE COVER SHEET)</small> ROWENA CANDICE M. RUIZ <small>EXECUTIVE DIRECTOR</small>	PROJECT & LOCATION / BARANGAY: PROPOSED: PROPOSED SEVEN (7) STOREY GOVERNMENT PROCUREMENT POLICY BOARD (GPPB) UP DILIMAN COMPOUND, DILIMAN, QUEZON CITY	SHEET CONTENTS: SCHEDULE OF DOORS AND WINDOWS	SET NO. BOD A-45	SHEET NO. 47 216
--	---	--	---	---	--	--	--	--	--	----------------------------	-------------------------------

SCHEDULE OF FINISHES

	ROOM NAME	FLOOR	BASE			WALL ABOVE BASE	CEILING			REMARKS
			MAT'L	TYPE	HT (MM)		MAT'L	TYPE	HT (MM)	
GROUND FLOOR	LOBBY	900 X 900mm POLISHED SYNTHETIC GRANITE TILE FLOOR FINISH ((SUBMIT SAMPLE FOR APPROVAL))	WOOD	-	100	PLAIN CEMENT PLASTER PAINTED FINISH / WOOD DECORATIVE WALL PANEL / 12mm TEMPERED,LAMINATED INSULATED GLASS	4.5mm THICK FIBER CEMENT BOARD (PAINTED) ON METAL FURRING CHANNELS @ 400mm O.C.	SUSPENDED	4000	TOP OF GRANITE TILES @ 3.00m HIGH FROM FLOOR FINISH LEVEL
	RECEIVING / RELEASING ROOM	600 X 600mm CERAMIC TILE FLOOR FINISH (SUBMIT SAMPLE FOR APPROVAL)	WOOD	-	100	PLAIN CEMENT PLASTER PAINTED FINISH	EXPOSED UNDERSIDE OF CONCRETE SLAB (PAINTED)	SUSPENDED	3100	TOP OF CERAMIC TILES @ 3.00m HIGH FROM FLOOR FINISH LEVEL
	SECURITY ROOM	600 X 600mm CERAMIC TILE FLOOR FINISH (SUBMIT SAMPLE FOR APPROVAL)	WOOD	-	100	PLAIN CEMENT PLASTER PAINTED FINISH	4.5mm THICK FIBER CEMENT BOARD (PAINTED) ON METAL FURRING CHANNELS @ 400mm O.C.	SUSPENDED	3000	TOP OF CERAMIC TILES @ 3.00m HIGH FROM FLOOR FINISH LEVEL
	DAYCARE ROOM	600 X 600mm CERAMIC TILE FLOOR FINISH (SUBMIT SAMPLE FOR APPROVAL)	WOOD	-	100	PLAIN CEMENT PLASTER PAINTED FINISH	4.5mm THICK FIBER CEMENT BOARD (PAINTED) ON METAL FURRING CHANNELS @ 400mm O.C.	SUSPENDED	3000	TOP OF CERAMIC TILES @ 3.00m HIGH FROM FLOOR FINISH LEVEL
	RECORDS ROOM	600 X 600mm CERAMIC TILE FLOOR FINISH (SUBMIT SAMPLE FOR APPROVAL)	WOOD	-	100	PLAIN CEMENT PLASTER PAINTED FINISH	4.5mm THICK FIBER CEMENT BOARD (PAINTED) ON METAL FURRING CHANNELS @ 400mm O.C.	SUSPENDED	3000	TOP OF CERAMIC TILES @ 3.00m HIGH FROM FLOOR FINISH LEVEL
	MULTI-PURPOSE AREA	900 X 900mm POLISHED SYNTHETIC GRANITE TILE FLOOR FINISH ((SUBMIT SAMPLE FOR APPROVAL))	WOOD	-	100	PLAIN CEMENT PLASTER PAINTED FINISH	4.5mm THICK FIBER CEMENT BOARD (PAINTED) ON METAL FURRING CHANNELS @ 400mm O.C.	SUSPENDED	3000	TOP OF GRANITE TILES @ 3.00m HIGH FROM FLOOR FINISH LEVEL
	CANTEEN AREA	900 X 900mm POLISHED SYNTHETIC GRANITE TILE FLOOR FINISH ((SUBMIT SAMPLE FOR APPROVAL))	WOOD	-	100	PLAIN CEMENT PLASTER PAINTED FINISH	4.5mm THICK FIBER CEMENT BOARD (PAINTED) ON METAL FURRING CHANNELS @ 400mm O.C.	SUSPENDED	3000	TOP OF CERAMIC TILES @ 4.00m HIGH FROM FLOOR FINISH LEVEL
	STAIR CASE	600 X 600mm CERAMIC TILE FLOOR FINISH (SUBMIT SAMPLE FOR APPROVAL)	-	-	100	PLAIN CEMENT PLASTER PAINTED FINISH	EXPOSED UNDERSIDE OF CONCRETE SLAB (PAINTED)			
	DRIVERS LOUNGE	PLAIN CEMENT FLOOR FINISH (PROVIDE FLOOR HARDENER)	-	-	-	PLAIN CEMENT PLASTER PAINTED FINISH	4.5mm THICK FIBER CEMENT BOARD (PAINTED) ON METAL FURRING CHANNELS @ 400mm O.C.	SUSPENDED	3000	TOP OF PLAIN CEMENT @ 4.00m HIGH FROM FLOOR FINISH LEVEL
	GUARD POST	PLAIN CEMENT FLOOR FINISH (PROVIDE FLOOR HARDENER)	-	-	100	PLAIN CEMENT PLASTER PAINTED FINISH	4.5mm THICK FIBER CEMENT BOARD (PAINTED) ON METAL FURRING CHANNELS @ 400mm O.C.	SUSPENDED	3000	TOP OF CERAMIC TILES @ 4.00m HIGH FROM FLOOR FINISH LEVEL
	TOILET (HE AND SHE)	600 X 600mm UNGLAZED VITRIFIED CERAMIC TILE FLOOR FINISH (SIZE & COLOR BY END-USER'S APPROVAL)	-	-	100	600 X 600mm GLAZED CERAMIC TILE FINISH (SIZE & COLOR BY END-USER'S APPROVAL)	4.5mm THICK FIBER CEMENT BOARD (PAINTED) ON METAL FURRING CHANNELS @ 400mm O.C.	SUSPENDED	3000	TOP OF CERAMIC TILES @ 3.00m HIGH FROM FLOOR FINISH LEVEL
	PASSAGE FRONT	600 X 600mm TEXTURED CERAMIC TILE (NON-SKID) FLOOR FINISH-OUTDOOR TYPE (SUBMIT SAMPLE FOR APPROVAL)	-	-	-	PLAIN CEMENT PLASTER PAINTED FINISH	4.5mm THICK FIBER CEMENT BOARD (PAINTED) ON METAL FURRING CHANNELS @ 400mm O.C.	SUSPENDED	4000	TOP OF CERAMIC TILES @ 4.00m HIGH FROM FLOOR FINISH LEVEL
	PASSAGE REAR	600 X 600mm TEXTURED CERAMIC TILE (NON-SKID) FLOOR FINISH-OUTDOOR TYPE (SUBMIT SAMPLE FOR APPROVAL)	-	-	-	PLAIN CEMENT PLASTER PAINTED FINISH	4.5mm THICK FIBER CEMENT BOARD (PAINTED) ON METAL FURRING CHANNELS @ 400mm O.C.	SUSPENDED	4000	TOP OF CERAMIC TILES @ 4.00m HIGH FROM FLOOR FINISH LEVEL
	STO	PLAIN CEMENT FLOOR FINISH (PROVIDE FLOOR HARDENER)	-	-	100	PLAIN CEMENT PLASTER PAINTED FINISH	EXPOSED UNDERSIDE OF CONCRETE SLAB (PAINTED)			

SCHEDULE OF FINISHES

	ROOM NAME	FLOOR	BASE			WALL ABOVE BASE	CEILING			REMARKS
			MAT'L	TYPE	HT (MM)		MAT'L	TYPE	HT (MM)	
SECOND FLOOR	PLANNING & INTERNAL AUDIT	600 X 600mm CERAMIC TILE FLOOR FINISH (SUBMIT SAMPLE FOR APPROVAL)	WOOD	-	100	PLAIN CEMENT PLASTER PAINTED FINISH / 12mm TEMPERED,LAMINATED INSULATED GLASS	4.5mm THICK FIBER CEMENT BOARD (PAINTED) ON METAL FURRING CHANNELS @ 400mm O.C.	SUSPENDED	3000	TOP OF CERAMIC TILES @ 3.00m HIGH FROM FLOOR FINISH LEVEL
	HALL WAY	900 X 900mm POLISHED SYNTHETIC GRANITE TILE FLOOR FINISH ((SUBMIT SAMPLE FOR APPROVAL))	WOOD	-	100	PLAIN CEMENT PLASTER PAINTED FINISH / DRYWALL PAINTED FINISH 12mm TEMPERED,LAMINATED INSULATED GLASS	4.5mm THICK FIBER CEMENT BOARD (PAINTED) ON METAL FURRING CHANNELS @ 400mm O.C.	SUSPENDED	3000	TOP OF GRANITE TILES @ 3.00m HIGH FROM FLOOR FINISH LEVEL
	LOBBY	900 X 900mm POLISHED SYNTHETIC GRANITE TILE FLOOR FINISH ((SUBMIT SAMPLE FOR APPROVAL))	WOOD	-	100	PLAIN CEMENT PAINTED FINISH / DRYWALL PAINTED FINISH 12mm TEMPERED,LAMINATED INSULATED GLASS	4.5mm THICK FIBER CEMENT BOARD (PAINTED) ON METAL FURRING CHANNELS @ 400mm O.C.	SUSPENDED	3000	TOP OF GRANITE TILES @ 3.00m HIGH FROM FLOOR FINISH LEVEL
	MEETING ROOMS	600 X 600mm CERAMIC TILE FLOOR FINISH (SUBMIT SAMPLE FOR APPROVAL)	WOOD	-	100	DRYWALL PAINTED FINISH / 12mm TEMPERED,LAMINATED INSULATED GLASS	4.5mm THICK FIBER CEMENT BOARD (PAINTED) ON METAL FURRING CHANNELS @ 400mm O.C.	SUSPENDED	3000	TOP OF GRANITE TILES @ 3.00m HIGH FROM FLOOR FINISH LEVEL
	RECORDS ROOM	600 X 600mm CERAMIC TILE FLOOR FINISH (SUBMIT SAMPLE FOR APPROVAL)	WOOD	-	100	PLAIN CEMENT PLASTER PAINTED FINISH / 12mm TEMPERED,LAMINATED INSULATED GLASS	4.5mm THICK FIBER CEMENT BOARD (PAINTED) ON METAL FURRING CHANNELS @ 400mm O.C.	SUSPENDED	3000	TOP OF GRANITE TILES @ 3.00m HIGH FROM FLOOR FINISH LEVEL
	ADMINISTRATIVE DIVISION	900 X 900mm POLISHED SYNTHETIC GRANITE TILE FLOOR FINISH ((SUBMIT SAMPLE FOR APPROVAL))	WOOD	-	100	PLAIN CEMENT PLASTER PAINTED FINISH / DRYWALL PAINTED FINISH 12mm TEMPERED,LAMINATED INSULATED GLASS	4.5mm THICK FIBER CEMENT BOARD (PAINTED) ON METAL FURRING CHANNELS @ 400mm O.C.	SUSPENDED	3000	TOP OF GRANITE TILES @ 3.00m HIGH FROM FLOOR FINISH LEVEL
	DIVISION CHIEF	900 X 900mm POLISHED SYNTHETIC GRANITE TILE FLOOR FINISH ((SUBMIT SAMPLE FOR APPROVAL))	WOOD	-	100	DRYWALL PAINTED FINISH / 12mm TEMPERED,LAMINATED INSULATED GLASS	4.5mm THICK FIBER CEMENT BOARD (PAINTED) ON METAL FURRING CHANNELS @ 400mm O.C.	SUSPENDED	3000	TOP OF GRANITE TILES @ 3.00m HIGH FROM FLOOR FINISH LEVEL
	STAIR CASE	600 X 600mm CERAMIC TILE FLOOR FINISH (SUBMIT SAMPLE FOR APPROVAL)	-	-	100	PLAIN CEMENT PLASTER PAINTED FINISH	EXPOSED UNDERSIDE OF CONCRETE SLAB (PAINTED)			
	SUPPLY ROOM	PLAIN CEMENT FLOOR FINISH (PROVIDE FLOOR HARDENER)	-	-	-	PLAIN CEMENT PLASTER PAINTED FINISH	4.5mm THICK FIBER CEMENT BOARD (PAINTED) ON METAL FURRING CHANNELS @ 400mm O.C.	SUSPENDED	3000	TOP OF GRANITE TILES @ 3.00m HIGH FROM FLOOR FINISH LEVEL
	UTILITY ROOM	PLAIN CEMENT FLOOR FINISH (PROVIDE FLOOR HARDENER)	-	-	100	PLAIN CEMENT PLASTER PAINTED FINISH	4.5mm THICK FIBER CEMENT BOARD (PAINTED) ON METAL FURRING CHANNELS @ 400mm O.C.	SUSPENDED	3000	TOP OF GRANITE TILES @ 3.00m HIGH FROM FLOOR FINISH LEVEL
	STORAGE	PLAIN CEMENT FLOOR FINISH (PROVIDE FLOOR HARDENER)	-	-	100	PLAIN CEMENT PLASTER PAINTED FINISH	EXPOSED UNDERSIDE OF CONCRETE SLAB (PAINTED)			TOP OF GRANITE TILES @ 3.00m HIGH FROM FLOOR FINISH LEVEL
	TOILET (HE AND SHE)	600 X 600mm UNGLAZED VITRIFIED CERAMIC TILE FLOOR FINISH (SIZE & COLOR BY END-USER'S APPROVAL)	-	-	-	600 X 600mm GLAZED CERAMIC TILE FINISH (SIZE & COLOR BY END-USER'S APPROVAL)	4.5mm THICK FIBER CEMENT BOARD (PAINTED) ON METAL FURRING CHANNELS @ 400mm O.C.	SUSPENDED	3000	TOP OF GRANITE TILES @ 3.00m HIGH FROM FLOOR FINISH LEVEL
	PANTRY	600 X 600mm CERAMIC TILE FLOOR FINISH (SUBMIT SAMPLE FOR APPROVAL)	-	-	100	PLAIN CEMENT PLASTER PAINTED FINISH	4.5mm THICK FIBER CEMENT BOARD (PAINTED) ON METAL FURRING CHANNELS @ 400mm O.C.	SUSPENDED	3000	TOP OF GRANITE TILES @ 3.00m HIGH FROM FLOOR FINISH LEVEL

1 SCHEDULE OF FLOOR, WALL AND CEILING FINISHES

A-46 N T S

	PREPARED BY:	SUBMITTED BY:		REVIEWED AS TO DESIGN CONCEPT:	RECOMMENDING APPROVAL:	APPROVED:	CONCURRED:	PROJECT & LOCATION / BARANGAY:	SHEET CONTENTS:	SET NO.	SHEET NO.
	ARMAN U. CUEVAS <small>ARCHITECTURAL DESIGN POSITION: ARCHITECT PRC No.: 0018676 TIN No.: 907-359-364 PTR No.: 4029596</small>	CYNTHIA CLEMEN A. YU <small>ARCHITECT/TEAM LEADER</small>		BUREAU OF DESIGN BUILDINGS DIVISION <small>BONIFACIO DRIVE PORT AREA, MANILA</small>	JOSEPHINE P. ISTURIS <small>CHIEF, BUILDINGS DIVISION, BOD</small>	LEA N. DELFINADO, CESO IV <small>OFFICER-IN-CHARGE</small>	EMIL K. SADAIN, CESO I <small>UNDERSECRETARY FOR UPMO OPERATIONS & TECHNICAL SERVICES</small>	ROWENA CANDICE M. RUIZ <small>EXECUTIVE DIRECTOR</small>	PROPOSED SEVEN (7) STOREY GOVERNMENT PROCUREMENT POLICY BOARD (GPPB) UP DILIMAN COMPOUND, DILIMAN, QUEZON CITY	SCHEDULE OF FLOOR, WALL AND CEILING FINISHES	BOD A-46

SCHEDULE OF FINISHES



	ROOM NAME	FLOOR	BASE			WALL ABOVE BASE	CEILING			REMARKS
			MAT'L	TYPE	HT (MM)		MAT'L	TYPE	HT (MM)	
THIRD FLOOR	LOBBY	900 X 900mm POLISHED SYNTHETIC GRANITE TILE FLOOR FINISH ((SUBMIT SAMPLE FOR APPROVAL))	WOOD	-	100	PLAIN CEMENT PLASTER PAINTED FINISH / DRYWALL PAINTED FINISH 12mm TEMPERED,LAMINATED INSULATED GLASS	4.5mm THICK FIBER CEMENT BOARD (PAINTED) ON METAL FURRING CHANNELS @ 400mm O.C.	SUSPENDED	3000	TOP OF GRANITE TILES @ 4.00m HIGH FROM FLOOR FINISH LEVEL
	INFO MANAGEMENT AND DIVISION	600 X 600mm CERAMIC TILE FLOOR FINISH (SUBMIT SAMPLE FOR APPROVAL)	WOOD	-	100	DRYWALL PAINTED FINISH / 12mm TEMPERED,LAMINATED INSULATED GLASS	4.5mm THICK FIBER CEMENT BOARD (PAINTED) ON METAL FURRING CHANNELS @ 400mm O.C.	SUSPENDED	3000	TOP OF GRANITE TILES @ 3.00m HIGH FROM FLOOR FINISH LEVEL
	LIBRARY AREA	600 X 600mm CERAMIC TILE FLOOR FINISH (SUBMIT SAMPLE FOR APPROVAL)	WOOD	-	100	DRYWALL PAINTED FINISH / 12mm TEMPERED,LAMINATED INSULATED GLASS	4.5mm THICK FIBER CEMENT BOARD (PAINTED) ON METAL FURRING CHANNELS @ 400mm O.C.	SUSPENDED	3000	TOP OF GRANITE TILES @ 3.00m HIGH FROM FLOOR FINISH LEVEL
	TOILET (HE AND SHE)	600 X 600mm CERAMIC TILE FLOOR FINISH (SUBMIT SAMPLE FOR APPROVAL)	WOOD	-	100	600 X 600mm GLAZED CERAMIC TILE FINISH (SIZE & COLOR BY END-USER'S APPROVAL)	4.5mm THICK FIBER CEMENT BOARD (PAINTED) ON METAL FURRING CHANNELS @ 400mm O.C.	SUSPENDED	3000	TOP OF GRANITE TILES @ 3.00m HIGH FROM FLOOR FINISH LEVEL
	PANTRY AREA	600 X 600mm CERAMIC TILE FLOOR FINISH (SUBMIT SAMPLE FOR APPROVAL)	-	-	-	PLAIN CEMENT PLASTER PAINTED FINISH	4.5mm THICK FIBER CEMENT BOARD (PAINTED) ON METAL FURRING CHANNELS @ 400mm O.C.	SUSPENDED	3000	TOP OF GRANITE TILES @ 3.00m HIGH FROM FLOOR FINISH LEVEL
	CCTV ROOM	600 X 600mm CERAMIC TILE FLOOR FINISH (SUBMIT SAMPLE FOR APPROVAL)	WOOD	-	100	PLAIN CEMENT PLASTER PAINTED FINISH	4.5mm THICK FIBER CEMENT BOARD (PAINTED) ON METAL FURRING CHANNELS @ 400mm O.C.	SUSPENDED	3000	TOP OF GRANITE TILES @ 3.00m HIGH FROM FLOOR FINISH LEVEL
	SERVER ROOM	600 X 600mm CERAMIC TILE FLOOR FINISH (SUBMIT SAMPLE FOR APPROVAL)	WOOD	-	100	PLAIN CEMENT PLASTER PAINTED FINISH	4.5mm THICK FIBER CEMENT BOARD (PAINTED) ON METAL FURRING CHANNELS @ 400mm O.C.	SUSPENDED	3000	TOP OF GRANITE TILES @ 3.00m HIGH FROM FLOOR FINISH LEVEL
	HALLWAY	600 X 600mm POLISHED SYNTHETIC GRANITE TILE FLOOR FINISH ((SUBMIT SAMPLE FOR APPROVAL))	-	-	-	PLAIN CEMENT PLASTER PAINTED FINISH / 12mm TEMPERED,LAMINATED INSULATED GLASS	4.5mm THICK FIBER CEMENT BOARD (PAINTED) ON METAL FURRING CHANNELS @ 400mm O.C.	SUSPENDED	3000	TOP OF GRANITE TILES @ 3.00m HIGH FROM FLOOR FINISH LEVEL
	STAIR CASE	600 X 600mm CERAMIC TILE FLOOR FINISH (SUBMIT SAMPLE FOR APPROVAL)	-	-	-	PLAIN CEMENT PLASTER PAINTED FINISH	EXPOSED UNDERSIDE OF CONCRETE SLAB (PAINTED)			
	DIVISION CHIEF	600 X 600mm CERAMIC TILE FLOOR FINISH (SUBMIT SAMPLE FOR APPROVAL)	WOOD	-	-	DRYWALL PAINTED FINISH / 12mm TEMPERED,LAMINATED INSULATED GLASS	4.5mm THICK FIBER CEMENT BOARD (PAINTED) ON METAL FURRING CHANNELS @ 400mm O.C.	SUSPENDED	3000	TOP OF GRANITE TILES @ 3.00m HIGH FROM FLOOR FINISH LEVEL
	CAPACITY AND DEVELOPMENT	600 X 600mm CERAMIC TILE FLOOR FINISH (SUBMIT SAMPLE FOR APPROVAL)	WOOD	-	-	DRYWALL PAINTED FINISH / 12mm TEMPERED,LAMINATED INSULATED GLASS	4.5mm THICK FIBER CEMENT BOARD (PAINTED) ON METAL FURRING CHANNELS @ 400mm O.C.	SUSPENDED	3000	TOP OF GRANITE TILES @ 3.00m HIGH FROM FLOOR FINISH LEVEL
	LEGAL AND RESEARCH	600 X 600mm CERAMIC TILE FLOOR FINISH (SUBMIT SAMPLE FOR APPROVAL)	WOOD	-	-	DRYWALL PAINTED FINISH / 12mm TEMPERED,LAMINATED INSULATED GLASS	4.5mm THICK FIBER CEMENT BOARD (PAINTED) ON METAL FURRING CHANNELS @ 400mm O.C.	SUSPENDED	3000	TOP OF GRANITE TILES @ 3.00m HIGH FROM FLOOR FINISH LEVEL
	PERFORMANCE MONITORING	600 X 600mm CERAMIC TILE FLOOR FINISH (SUBMIT SAMPLE FOR APPROVAL)	WOOD	-	-	DRYWALL PAINTED FINISH / 12mm TEMPERED,LAMINATED INSULATED GLASS	4.5mm THICK FIBER CEMENT BOARD (PAINTED) ON METAL FURRING CHANNELS @ 400mm O.C.	SUSPENDED	3000	TOP OF GRANITE TILES @ 3.00m HIGH FROM FLOOR FINISH LEVEL
	STORAGE	PLAIN CEMENT FLOOR FINISH (PROVIDE FLOOR HARDENER)	-	-	-	PLAIN CEMENT PLASTER PAINTED FINISH	EXPOSED UNDERSIDE OF CONCRETE SLAB (PAINTED)			

SCHEDULE OF FINISHES

	ROOM NAME	FLOOR	BASE			WALL ABOVE BASE	CEILING			REMARKS
			MAT'L	TYPE	HT (MM)		MAT'L	TYPE	HT (MM)	
FOURTH FLOOR	LOBBY	900 X 900mm POLISHED SYNTHETIC GRANITE TILE FLOOR FINISH ((SUBMIT SAMPLE FOR APPROVAL))	WOOD	-	100	PLAIN CEMENT PLASTER PAINTED FINISH / DRYWALL PAINTED FINISH 12mm TEMPERED,LAMINATED INSULATED GLASS	4.5mm THICK FIBER CEMENT BOARD (PAINTED) ON METAL FURRING CHANNELS @ 400mm O.C.	SUSPENDED	3000	TOP OF GRANITE TILES @ 3.00m HIGH FROM FLOOR FINISH LEVEL
	GPPB LOUNGE	600 X 600mm CERAMIC TILE FLOOR FINISH (SUBMIT SAMPLE FOR APPROVAL)	-	-	100	DRYWALL PAINTED FINISH /PLAIN CEMENT PLASTER PAINTED FINISH 12mm TEMPERED,LAMINATED INSULATED GLASS	4.5mm THICK FIBER CEMENT BOARD (PAINTED) ON METAL FURRING CHANNELS @ 400mm O.C.	SUSPENDED	3000	TOP OF GRANITE TILES @ 3.00m HIGH FROM FLOOR FINISH LEVEL
	OFFICE OF THE DEPUTY EXECUTIVE DIRECTOR	600 X 600mm CERAMIC TILE FLOOR FINISH (SUBMIT SAMPLE FOR APPROVAL)	WOOD	-	100	DRYWALL PAINTED FINISH / PLAIN CEMENT PLASTER PAINTED FINISH	4.5mm THICK FIBER CEMENT BOARD (PAINTED) ON METAL FURRING CHANNELS @ 400mm O.C.	SUSPENDED	3000	TOP OF GRANITE TILES @ 3.00m HIGH FROM FLOOR FINISH LEVEL
	DIVISION CHIEF	600 X 600mm CERAMIC TILE FLOOR FINISH (SUBMIT SAMPLE FOR APPROVAL)	WOOD	-	100	DRYWALL PAINTED FINISH /PLAIN CEMENT PLASTER PAINTED FINISH 12mm TEMPERED,LAMINATED INSULATED GLASS	4.5mm THICK FIBER CEMENT BOARD (PAINTED) ON METAL FURRING CHANNELS @ 400mm O.C.	SUSPENDED	3000	TOP OF GRANITE TILES @ 3.00m HIGH FROM FLOOR FINISH LEVEL
	SECRETARIAT DIVISION	600 X 600mm CERAMIC TILE FLOOR FINISH (SUBMIT SAMPLE FOR APPROVAL)	-	-	100	DRYWALL PAINTED FINISH /PLAIN CEMENT PLASTER PAINTED FINISH 12mm TEMPERED,LAMINATED INSULATED GLASS	4.5mm THICK FIBER CEMENT BOARD (PAINTED) ON METAL FURRING CHANNELS @ 400mm O.C.	SUSPENDED	3000	TOP OF GRANITE TILES @ 3.00m HIGH FROM FLOOR FINISH LEVEL
	PANTRY AREA	600 X 600mm CERAMIC TILE FLOOR FINISH (SUBMIT SAMPLE FOR APPROVAL)	WOOD	-	100	PLAIN CEMENT PLASTER PAINTED FINISH / DRYWALL PAINTED FINISH PLAIN CEMENT PLASTER PAINTED FINISH	4.5mm THICK FIBER CEMENT BOARD (PAINTED) ON METAL FURRING CHANNELS @ 400mm O.C.	SUSPENDED	3000	TOP OF GRANITE TILES @ 3.00m HIGH FROM FLOOR FINISH LEVEL
	RECEPTION AREA	600 X 600mm CERAMIC TILE FLOOR FINISH (SUBMIT SAMPLE FOR APPROVAL)	WOOD	-	100	DRYWALL PAINTED FINISH / 12mm TEMPERED,LAMINATED INSULATED GLASS	4.5mm THICK FIBER CEMENT BOARD (PAINTED) ON METAL FURRING CHANNELS @ 400mm O.C.	SUSPENDED	3000	TOP OF GRANITE TILES @ 3.00m HIGH FROM FLOOR FINISH LEVEL
	STAIR CASE	600 X 600mm CERAMIC TILE FLOOR FINISH (SUBMIT SAMPLE FOR APPROVAL)	-	-	100	DRYWALL PAINTED FINISH	EXPOSED UNDERSIDE OF CONCRETE SLAB (PAINTED)			
	MEETING ROOM	600 X 600mm CERAMIC TILE FLOOR FINISH (SUBMIT SAMPLE FOR APPROVAL)	WOOD	-	-	DRYWALL PAINTED FINISH / 12mm TEMPERED,LAMINATED INSULATED GLASS	4.5mm THICK FIBER CEMENT BOARD (PAINTED) ON METAL FURRING CHANNELS @ 400mm O.C.	SUSPENDED	3000	TOP OF GRANITE TILES @ 3.00m HIGH FROM FLOOR FINISH LEVEL
	OFFICE OF THE CHAIRPERSON	900 X 900mm POLISHED SYNTHETIC GRANITE TILE FLOOR FINISH ((SUBMIT SAMPLE FOR APPROVAL))	WOOD	-	100	DRYWALL PAINTED FINISH / PLAIN CEMENT PLASTER PAINTED FINISH 12mm TEMPERED,LAMINATED INSULATED GLASS	4.5mm THICK FIBER CEMENT BOARD (PAINTED) ON METAL FURRING CHANNELS @ 400mm O.C.	SUSPENDED	3000	TOP OF GRANITE TILES @ 3.00m HIGH FROM FLOOR FINISH LEVEL
	TOILET (HE AND SHE), PWD	600 X 600mm UNGLAZED VITRIFIED CERAMIC TILE FLOOR FINISH (SIZE & COLOR BY END-USER'S APPROVAL)	-	-	100	600 X 600mm GLAZED CERAMIC TILE FINISH (SIZE & COLOR BY END-USER'S APPROVAL)	4.5mm THICK FIBER CEMENT BOARD (PAINTED) ON METAL FURRING CHANNELS @ 400mm O.C.	SUSPENDED	3000	TOP OF GRANITE TILES @ 3.00m HIGH FROM FLOOR FINISH LEVEL
	T&B	600 X 600mm UNGLAZED VITRIFIED CERAMIC TILE FLOOR FINISH (SIZE & COLOR BY END-USER'S APPROVAL)	-	-	-	600 X 600mm GLAZED CERAMIC TILE FINISH (SIZE & COLOR BY END-USER'S APPROVAL)	4.5mm THICK FIBER CEMENT BOARD (PAINTED) ON METAL FURRING CHANNELS @ 400mm O.C.	SUSPENDED	3000	TOP OF GRANITE TILES @ 3.00m HIGH FROM FLOOR FINISH LEVEL
	BOARD ROOM	900 X 900mm TEXTURED CERAMIC TILE (NON-SKID) FLOOR FINISH-OUTDOOR TYPE (SUBMIT SAMPLE FOR APPROVAL)	WOOD-	-	100	PLAIN CEMENT PLASTER PAINTED FINISH	4.5mm THICK FIBER CEMENT BOARD (PAINTED) ON METAL FURRING CHANNELS @ 400mm O.C.	SUSPENDED	3000	TOP OF GRANITE TILES @ 3.00m HIGH FROM FLOOR FINISH LEVEL
	PANTRY	600 X 600mm CERAMIC TILE FLOOR FINISH (SUBMIT SAMPLE FOR APPROVAL)	WOOD	-	100	PLAIN CEMENT PLASTER PAINTED FINISH	4.5mm THICK FIBER CEMENT BOARD (PAINTED) ON METAL FURRING CHANNELS @ 400mm O.C.	SUSPENDED	3000	TOP OF GRANITE TILES @ 3.00m HIGH FROM FLOOR FINISH LEVEL
	MINI-RESTING ROOM	600 X 600mm CERAMIC TILE FLOOR FINISH (SUBMIT SAMPLE FOR APPROVAL)	WOOD	-	100	PLAIN CEMENT PLASTER PAINTED FINISH	4.5mm THICK FIBER CEMENT BOARD (PAINTED) ON METAL FURRING CHANNELS @ 400mm O.C.	SUSPENDED	3000	TOP OF GRANITE TILES @ 3.00m HIGH FROM FLOOR FINISH LEVEL
	OFFICE OF THE EXECUTIVE DIRECTOR	900 X 900mm POLISHED SYNTHETIC GRANITE TILE FLOOR FINISH ((SUBMIT SAMPLE FOR APPROVAL))	WOOD	-	100	DRYWALL PAINTED FINISH / PLAIN CEMENT PLASTER PAINTED FINISH	4.5mm THICK FIBER CEMENT BOARD (PAINTED) ON METAL FURRING CHANNELS @ 400mm O.C.	SUSPENDED	3000	TOP OF GRANITE TILES @ 3.00m HIGH FROM FLOOR FINISH LEVEL

1
A-47

SCHEDULE OF FLOOR, WALL AND CEILING FINISHES

 UNITED TECHNOLOGIES CONSOLIDATED PARTNERSHIP	PREPARED BY:	SUBMITTED BY:	 REPUBLIC OF THE PHILIPPINES DEPARTMENT OF PUBLIC WORKS AND HIGHWAYS BUREAU OF DESIGN BUILDINGS DIVISION BONIFACIO DRIVE PORT AREA, MANILA	REVIEWED AS TO DESIGN CONCEPT:	RECOMMENDING APPROVAL:	APPROVED:	CONCURRED:	PROJECT & LOCATION / BARANGAY:	SHEET CONTENTS:	SET NO.	SHEET NO.
	ARMAN U. CUEVAS <small>ARCHITECTURAL DESIGN POSITION: ARCHITECT PRC No.: 0018676 TIN No.: 907-359-364 PTR No.: 4020996</small>	CYNTHIA CLEMEN A. YU <small>ARCHITECT/TEAM LEADER</small>		JOSEPHINE P. ISTURIS <small>CHIEF, BUILDINGS DIVISION, BOD</small>	LEA N. DELFINADO, CESO IV <small>OFFICER-IN-CHARGE</small>	EMIL K. SADAIN, CESO I <small>UNDERSECRETARY FOR UPMO OPERATIONS & TECHNICAL SERVICES</small>	ROWENA CANDICE M. RUIZ <small>EXECUTIVE DIRECTOR</small>	PROPOSED SEVEN (7) STOREY GOVERNMENT PROCUREMENT POLICY BOARD (GPPB) UP DILIMAN COMPOUND, DILIMAN, QUEZON CITY	SCHEDULE OF FLOOR, WALL AND CEILING FINISHES	BOD A-47	49 216

SCHEDULE OF FINISHES



FIFTH FLOOR	ROOM NAME	FLOOR	BASE			WALL ABOVE BASE	CEILING			REMARKS
			MAT'L	TYPE	HT (MM)		MAT'L	TYPE	HT (MM)	
	LOBBY	900 X 900mm POLISHED SYNTHETIC GRANITE TILE FLOOR FINISH ((SUBMIT SAMPLE FOR APPROVAL))	WOOD	-	100	PLAIN CEMENT PLASTER PAINTED FINISH / DRYWALL PAINTED FINISH 12mm TEMPERED,LAMINATED INSULATED GLASS	4.5mm THICK FIBER CEMENT BOARD (PAINTED) ON METAL FURRING CHANNELS @ 400mm O.C.	SUSPENDED	3000	TOP OF GRANITE TILES @ 3.00m HIGH FROM FLOOR FINISH LEVEL
	LOUNGE	600 X 600mm CERAMIC TILE FLOOR FINISH (SUBMIT SAMPLE FOR APPROVAL)	WOOD	-	100	DRYWALL PAINTED FINISH	4.5mm THICK FIBER CEMENT BOARD (PAINTED) ON METAL FURRING CHANNELS @ 400mm O.C.	SUSPENDED	3000	TOP OF CERAMIC TILES @ 3.00m HIGH FROM FLOOR FINISH LEVEL
	CHAPEL	900 X 900mm POLISHED SYNTHETIC GRANITE TILE FLOOR FINISH ((SUBMIT SAMPLE FOR APPROVAL))	WOOD	-	100	DRYWALL PAINTED FINISH / 12mm TEMPERED,LAMINATED INSULATED GLASS	4.5mm THICK FIBER CEMENT BOARD (PAINTED) ON METAL FURRING CHANNELS @ 400mm O.C.	SUSPENDED	3000	TOP OF GRANITE TILES @ 3.00m HIGH FROM FLOOR FINISH LEVEL
	TRAINING ROOM	600 X 600mm CERAMIC TILE FLOOR FINISH (SUBMIT SAMPLE FOR APPROVAL)	WOOD	-	100	DRYWALL PAINTED FINISH	4.5mm THICK FIBER CEMENT BOARD (PAINTED) ON METAL FURRING CHANNELS @ 400mm O.C.	SUSPENDED	3000	TOP OF CERAMIC TILES @ 3.00m HIGH FROM FLOOR FINISH LEVEL
	PANTRY AREA	600 X 600mm CERAMIC TILE FLOOR FINISH (SUBMIT SAMPLE FOR APPROVAL)	WOOD	-	100	PLAIN CEMENT PLASTER PAINTED FINISH	4.5mm THICK FIBER CEMENT BOARD (PAINTED) ON METAL FURRING CHANNELS @ 400mm O.C.	SUSPENDED	3000	TOP OF CERAMIC TILES @ 3.00m HIGH FROM FLOOR FINISH LEVEL
	TOILET (HE AND SHE), PWD	600 X 600mm UNGLAZED VITRIFIED CERAMIC TILE FLOOR FINISH (SIZE & COLOR BY END-USER'S APPROVAL)	-	-	100	600 X 600mm GLAZED CERAMIC TILE FINISH (SIZE & COLOR BY END-USER'S APPROVAL)	4.5mm THICK FIBER CEMENT BOARD (PAINTED) ON METAL FURRING CHANNELS @ 400mm O.C.	SUSPENDED	3000	TOP OF CERAMIC TILES @ 3.00m HIGH FROM FLOOR FINISH LEVEL
	STAIR CASE	600 X 600mm CERAMIC TILE FLOOR FINISH (SUBMIT SAMPLE FOR APPROVAL)	-	-	100	PLAIN CEMENT PLASTER PAINTED FINISH	EXPOSED UNDERSIDE OF CONCRETE SLAB (PAINTED)			
	STORAGE ROOM	PLAIN CEMENT FLOOR FINISH (PROVIDE FLOOR HARDENER)	-	-	100	PLAIN CEMENT PLASTER PAINTED FINISH	EXPOSED UNDERSIDE OF CONCRETE SLAB (PAINTED)			
	HALLWAY	900 X 900mm POLISHED SYNTHETIC GRANITE TILE FLOOR FINISH ((SUBMIT SAMPLE FOR APPROVAL))	WOOD	-	-	PLAIN CEMENT PLASTER PAINTED FINISH / DRYWALL PAINTED FINISH 12mm TEMPERED,LAMINATED INSULATED GLASS	4.5mm THICK FIBER CEMENT BOARD (PAINTED) ON METAL FURRING CHANNELS @ 400mm O.C.	SUSPENDED		TOP OF GRANITE TILES @ 3.00m HIGH FROM FLOOR FINISH LEVEL

SCHEDULE OF FINISHES

SIXTH FLOOR	ROOM NAME	FLOOR	BASE			WALL ABOVE BASE	CEILING			REMARKS
			MAT'L	TYPE	HT (MM)		MAT'L	TYPE	HT (MM)	
	LOBBY	900 X 900mm POLISHED SYNTHETIC GRANITE TILE FLOOR FINISH ((SUBMIT SAMPLE FOR APPROVAL))	WOOD	-	100	PLAIN CEMENT PLASTER PAINTED FINISH	4.5mm THICK FIBER CEMENT BOARD (PAINTED) ON METAL FURRING CHANNELS @ 400mm O.C.	SUSPENDED	3000	TOP OF CERAMIC TILES @ 3.00m HIGH FROM FLOOR FINISH LEVEL
	RECEPTION/RECEIVING AREA	600 X 600mm CERAMIC TILE FLOOR FINISH (SUBMIT SAMPLE FOR APPROVAL)	WOOD	-	100	PLAIN CEMENT PLASTER PAINTED FINISH	4.5mm THICK FIBER CEMENT BOARD (PAINTED) ON METAL FURRING CHANNELS @ 400mm O.C.	SUSPENDED	3000	TOP OF CERAMIC TILES @ 3.00m HIGH FROM FLOOR FINISH LEVEL
	HALLWAY	900 X 900mm POLISHED SYNTHETIC GRANITE TILE FLOOR FINISH ((SUBMIT SAMPLE FOR APPROVAL))	WOOD	-	100	PLAIN CEMENT PLASTER PAINTED FINISH	4.5mm THICK FIBER CEMENT BOARD (PAINTED) ON METAL FURRING CHANNELS @ 400mm O.C.	SUSPENDED	3000	TOP OF CERAMIC TILES @ 3.00m HIGH FROM FLOOR FINISH LEVEL
	LOUNGE / DORMITORY LOUNGE	600 X 600mm CERAMIC TILE FLOOR FINISH (SUBMIT SAMPLE FOR APPROVAL)		-		PLAIN CEMENT PLASTER PAINTED FINISH	4.5mm THICK FIBER CEMENT BOARD (PAINTED) ON METAL FURRING CHANNELS @ 400mm O.C.	SUSPENDED	3000	TOP OF CERAMIC TILES @ 3.00m HIGH FROM FLOOR FINISH LEVEL
	VIP ROOMS	600 X 600mm CERAMIC TILE FLOOR FINISH (SUBMIT SAMPLE FOR APPROVAL)		-		PLAIN CEMENT PLASTER PAINTED FINISH	4.5mm THICK FIBER CEMENT BOARD (PAINTED) ON METAL FURRING CHANNELS @ 400mm O.C.	SUSPENDED	3000	TOP OF CERAMIC TILES @ 3.00m HIGH FROM FLOOR FINISH LEVEL
	VIP T&B	600 X 600mm CERAMIC TILE FLOOR FINISH (SUBMIT SAMPLE FOR APPROVAL)	WOOD	-	100	600 X 600mm GLAZED CERAMIC TILE FINISH (SIZE & COLOR BY END-USER'S APPROVAL)	4.5mm THICK FIBER CEMENT BOARD (PAINTED) ON METAL FURRING CHANNELS @ 400mm O.C.	SUSPENDED	3000	TOP OF CERAMIC TILES @ 3.00m HIGH FROM FLOOR FINISH LEVEL
	DORMITORY T&B,PWD	600 X 600mm UNGLAZED CERAMIC TILE FLOOR FINISH (SUBMIT SAMPLE FOR APPROVAL)	WOOD	-	100	600 X 600mm GLAZED CERAMIC TILE FINISH (SIZE & COLOR BY END-USER'S APPROVAL)	4.5mm THICK FIBER CEMENT BOARD (PAINTED) ON METAL FURRING CHANNELS @ 400mm O.C.	SUSPENDED	3000	TOP OF CERAMIC TILES @ 3.00m HIGH FROM FLOOR FINISH LEVEL
	PANTRY	600 X 600mm CERAMIC TILE FLOOR FINISH (SUBMIT SAMPLE FOR APPROVAL)		-		PLAIN CEMENT PLASTER PAINTED FINISH	4.5mm THICK FIBER CEMENT BOARD (PAINTED) ON METAL FURRING CHANNELS @ 400mm O.C.	SUSPENDED	3000	TOP OF CERAMIC TILES @ 3.00m HIGH FROM FLOOR FINISH LEVEL
	UTILITY / STORAGE	PLAIN CEMENT FLOOR FINISH (PROVIDE FLOOR HARDENER)		-		PLAIN CEMENT PLASTER PAINTED FINISH	EXPOSED UNDERSIDE OF CONCRETE SLAB (PAINTED)			
	STAIR CASE	600 X 600mm CERAMIC TILE FLOOR FINISH (SUBMIT SAMPLE FOR APPROVAL)		-		PLAIN CEMENT PLASTER PAINTED FINISH	EXPOSED UNDERSIDE OF CONCRETE SLAB (PAINTED)			
	DORMITORY 1&2	600 X 600mm CERAMIC TILE FLOOR FINISH (SUBMIT SAMPLE FOR APPROVAL)		-		PLAIN CEMENT PLASTER PAINTED FINISH	EXPOSED UNDERSIDE OF ROOFING INSULATION			
	AUDITORIUM	CARPET MAD RIBBED FLOORING 1820 X 190 X 19mm THK. LAMINATE FLOORING		-		PLAIN CEMENT PLASTER PAINTED FINISH / FABRIC WRAPPED ACOUSTICAL WALL PANELS	4.5mm THICK FIBER CEMENT BOARD (PAINTED) ON METAL FURRING CHANNELS @ 400mm O.C. / FABRIC WRAPPED ACOUSTIC CEILING PANEL	SUSPENDED	4000	TOP OF LAMINATE FLOORING @ 4.00m HIGH FROM FLOOR FINISH LEVEL
	AUDITORIUM TOILET	600 X 600mm UNGLAZED CERAMIC TILE FLOOR FINISH (SUBMIT SAMPLE FOR APPROVAL)		-		600 X 600mm GLAZED CERAMIC TILE FINISH (SIZE & COLOR BY END-USER'S APPROVAL)	EXPOSED UNDERSIDE OF ROOFING INSULATION			
	AUDIO VISUAL	600 X 600mm CERAMIC TILE FLOOR FINISH (SUBMIT SAMPLE FOR APPROVAL)		-		PLAIN CEMENT PLASTER PAINTED FINISH	EXPOSED UNDERSIDE OF ROOFING INSULATION			

1 SCHEDULE OF FLOOR, WALL AND CEILING FINISHES

A-48

 UNITED TECHNOLOGIES CONSOLIDATED PARTNERSHIP	PREPARED BY:	SUBMITTED BY:	 BUREAU OF DESIGN BUILDINGS DIVISION BONIFACIO DRIVE PORT AREA, MANILA	REVIEWED AS TO DESIGN CONCEPT:	RECOMMENDING APPROVAL:	APPROVED:	CONCURRED:	PROJECT & LOCATION / BARANGAY:	SHEET CONTENTS:	SET NO.	SHEET NO.
	ARMAN U. CUEVAS ARCHITECTURAL DESIGN POSITION: ARCHITECT PRC No.: 0018676 TIN No.: 907-359-364 PTR No.: 4620896	CYNTHIA CLEMEN A. YU ARCHITECT/TEAM LEADER		JOSEPHINE P. ISTURIS CHIEF, BUILDINGS DIVISION, BOD	LEA N. DELFINADO, CESO IV OFFICER-IN-CHARGE	EMIL K. SADAIN, CESO I UNDERSECRETARY FOR UPMO OPERATIONS & TECHNICAL SERVICES	ROWENA CANDICE M. RUIZ EXECUTIVE DIRECTOR	PROPOSED SEVEN (7) STOREY GOVERNMENT PROCUREMENT POLICY BOARD (GPPB) UP DILIMAN COMPOUND, DILIMAN, QUEZON CITY	SCHEDULE OF FLOOR, WALL AND CEILING FINISHES	BOD A-48	50 216

SCHEDULE OF FINISHES

	ROOM NAME	FLOOR	BASE			WALL ABOVE BASE	CEILING			REMARKS
			MAT'L	TYPE	HT (MM)		MAT'L	TYPE	HT (MM)	
SEVENTH FLOOR	LOBBY	900 X 900mm POLISHED SYNTHETIC GRANITE TILE FLOOR FINISH ((SUBMIT SAMPLE FOR APPROVAL)	WOOD	-	100	PLAIN CEMENT PLASTER PAINTED FINISH	4.5mm THICK FIBER CEMENT BOARD (PAINTED) ON METAL FURRING CHANNELS @ 400mm O.C.	SUSPENDED	3000	TOP OF CERAMIC TILES @ 3.00m HIGH FROM FLOOR FINISH LEVEL
	GYM	600 X 600mm CERAMIC TILE FLOOR FINISH (SUBMIT SAMPLE FOR APPROVAL)	WOOD	-	100	PLAIN CEMENT PLASTER PAINTED FINISH	4.5mm THICK FIBER CEMENT BOARD (PAINTED) ON METAL FURRING CHANNELS @ 400mm O.C.	SUSPENDED	3000	TOP OF CERAMIC TILES @ 3.00m HIGH FROM FLOOR FINISH LEVEL
	HALLWAY	900 X 900mm POLISHED SYNTHETIC GRANITE TILE FLOOR FINISH (SUBMIT SAMPLE FOR APPROVAL)	WOOD	-	100	PLAIN CEMENT PLASTER PAINTED FINISH	4.5mm THICK FIBER CEMENT BOARD (PAINTED) ON METAL FURRING CHANNELS @ 400mm O.C.	SUSPENDED	3000	TOP OF CERAMIC TILES @ 3.00m HIGH FROM FLOOR FINISH LEVEL
	STORAGE	PLAIN CEMENT FLOOR FINISH (PROVIDE FLOOR HARDENER)		-		PLAIN CEMENT PLASTER PAINTED FINISH	EXPOSED UNDERSIDE OF CONCRETE SLAB (PAINTED)			
	UTILITY ROOM	PLAIN CEMENT FLOOR FINISH (PROVIDE FLOOR HARDENER)		-		PLAIN CEMENT PLASTER PAINTED FINISH	EXPOSED UNDERSIDE OF CONCRETE SLAB (PAINTED)			
	LOCKER DRESSER (HE)	600 X 600mm CERAMIC TILE FLOOR FINISH (SUBMIT SAMPLE FOR APPROVAL)	WOOD	-	100	PLAIN CEMENT PLASTER PAINTED FINISH	4.5mm THICK FIBER CEMENT BOARD (PAINTED) ON METAL FURRING CHANNELS @ 400mm O.C.	SUSPENDED	3000	TOP OF CERAMIC TILES @ 3.00m HIGH FROM FLOOR FINISH LEVEL
	LOCKER DRESSER (SHE)	600 X 600mm CERAMIC TILE FLOOR FINISH (SUBMIT SAMPLE FOR APPROVAL)	WOOD	-	100	PLAIN CEMENT PLASTER PAINTED FINISH	4.5mm THICK FIBER CEMENT BOARD (PAINTED) ON METAL FURRING CHANNELS @ 400mm O.C.	SUSPENDED	3000	TOP OF CERAMIC TILES @ 3.00m HIGH FROM FLOOR FINISH LEVEL
	T&B (HE)	600 X 600mm CERAMIC TILE FLOOR FINISH (SUBMIT SAMPLE FOR APPROVAL)		-		600 X 600mm GLAZED CERAMIC TILE FINISH (SIZE & COLOR BY END-USER'S APPROVAL)	4.5mm THICK FIBER CEMENT BOARD (PAINTED) ON METAL FURRING CHANNELS @ 400mm O.C.	SUSPENDED	3000	TOP OF CERAMIC TILES @ 3.00m HIGH FROM FLOOR FINISH LEVEL
	T&B (SHE)	600 X 600mm CERAMIC TILE FLOOR FINISH (SUBMIT SAMPLE FOR APPROVAL)		-		600 X 600mm GLAZED CERAMIC TILE FINISH (SIZE & COLOR BY END-USER'S APPROVAL)	4.5mm THICK FIBER CEMENT BOARD (PAINTED) ON METAL FURRING CHANNELS @ 400mm O.C.	SUSPENDED	3000	TOP OF CERAMIC TILES @ 3.00m HIGH FROM FLOOR FINISH LEVEL
	STAIR CASE	600 X 600mm CERAMIC TILE FLOOR FINISH (SUBMIT SAMPLE FOR APPROVAL)		-		PLAIN CEMENT PLASTER PAINTED FINISH	EXPOSED UNDERSIDE OF CONCRETE SLAB (PAINTED)			
BASKETBALL COURT	1820 X 190 X 19mm THK. LAMINATE FLOORING COLOR: SHERWOOD OAK		-		PLAIN CEMENT PLASTER PAINTED FINISH	EXPOSED UNDERSIDE OF ROOFING INSULATION				

1 SCHEDULE OF FLOOR, WALL AND CEILING FINISHES

DOOR No.	PANEL MATERIAL	FRAME	FINISH	TYPE	No. OF PANEL	DOOR SIZE	
						W	H
D-1	12mm THK. TEMPERED GLASS DOOR W/ HARDWARE AND ACCESSORIES	ALUMINUM	CLEAR	AUTOMATED SLIDING	2	4100	2900
D-2	12mm THK. TEMPERED GLASS DOOR W/ HARDWARE AND ACCESSORIES	ALUMINUM	CLEAR	SWING	2	2100	2600
D-3	12mm THK. TEMPERED GLASS DOOR W/ HARDWARE AND ACCESSORIES	FRAMELESS	POWDER COATED	SWING	2	2100	2600
D3-A	12mm THK. TEMPERED GLASS DOOR W/ HARDWARE AND ACCESSORIES	FRAMELESS	POWDER COATED	SWING	1	2100	2600
D-4	SOLID WOOD PANEL DOOR W/ HARDWARE AND ACCESSORIES	MAHOGANY	SEMI-GLOSS WOOD VARNISH	SWING	1	800	2100
D-5	SOLID WOOD PANEL DOOR W/ HARDWARE AND ACCESSORIES	MAHOGANY	SEMI-GLOSS WOOD VARNISH	SWING	1	900	2100
D-6	SOLID WOOD PANEL DOOR W/ HARDWARE AND ACCESSORIES	MAHOGANY	SEMI-GLOSS WOOD VARNISH	SWING	1	800	2100
D-7	SOLID WOOD PANEL DOOR W/ HARDWARE AND ACCESSORIES	MAHOGANY	SEMI-GLOSS WOOD VARNISH	SWING	1	900	2100
D-8	SOLID WOOD PANEL DOOR W/ HARDWARE AND ACCESSORIES	MAHOGANY	SEMI-GLOSS WOOD VARNISH	SWING	2	2100	2100
D-9	FIRE-RATED STEEL DOOR WITH GLASS VIEWING PANEL	METAL	PAINT	SWING	2	2100	2600
D-10	PHENOLIC DOOR w/ HARDWARE ACCESSORIES AND DOOR BOLT	MAHOGANY	SEMI-GLOSS WOOD VARNISH	SWING	1	600	1200
D-11	FIRE-RATED STEEL DOOR	METAL	PAINT	SWING	1	900	2100
D-12	STEEL DOOR W/ HARDWARE AND ACCESSORIES	METAL	PAINT	SWING	1	800	2100
D-13	GLASS DOOR W/ HARDWARE AND ACCESSORIES	ALUMINUM	POWDER COATED	SLIDING	2	800	1650
D-14	STEEL DOOR W/ HARDWARE AND ACCESSORIES	ALUMINUM	PAINT	SWING	1	600	2100
D-15	3.2 MM THICK STEEL DOOR	METAL	PAINT	SWING	2	3000	2500
D-16	MANUALLY OPERATED GALVANIZED STEEL (GAUGE 26)	METAL	PAINT	ROLL UP	1	2800	2330

WINDOW No.	PANEL MATERIAL	FRAME	FINISH	TYPE	No. OF PANEL/BLADES	WINDOW SIZE	
						W	H
W-1	10mm THK. TEMPERED GLASS	FRAMELESS	CLEAR	FIXED	6	5100	2820
W-2	10mm THK. TEMPERED GLASS	ALUMINUM	CLEAR	FIXED/AWNING	2	1500	2200
W-2A	10mm THK. TEMPERED GLASS	ALUMINUM	CLEAR	FIXED/AWNING	2	1500	2200
W-3	10mm THK. TEMPERED GLASS	ALUMINUM	CLEAR	FIXED/AWNING	1	1200	2200
W-4	10mm THK. TEMPERED GLASS	ALUMINUM	CLEAR	FIXED/AWNING	4	2000	1600
W-5	10mm THK. TEMPERED GLASS	ALUMINUM	CLEAR	FIXED	4	2000	1600
W-6	GALVANIZED BLADES (GAUGE 26)	ALUMINUM	PAINTED	JALOUSIE	7	700	735

2 SCHEDULE OF DOOR AND WINDOW FINISHES

NOTE:
PURSUANT TO SECTION 4 OF ANNEX "A" OF THE REVISED IMPLEMENTING RULES AND REGULATION OF R.A. 9194, APPROVAL BY THE AUTHORIZED DPWH OFFICIALS OF DETAILED ENGINEERING SURVEYS AND DESIGN UNDERTAKEN BY CONSULTANTS NEITHER DIMINISHES THE RESPONSIBILITY OF THE LATTER FOR THE TECHNICAL INTEGRITY OF THE SURVEYS AND DESIGN NOR TRANSFER ANY PART OF THAT RESPONSIBILITY TO THE APPROVING OFFICIALS.

THE DESIGN CONSULTANT SHALL BE HELD FULLY RESPONSIBLE FOR THE FAILURE OF THE FACILITY/IES/STRUCTURES DUE TO FAULTY DESIGN EXCEPT FOR THE CHANGES MADE WITHOUT THE CONFORMITY OF THE CONSULTANTS.

